



Chipsmall Limited consists of a professional team with an average of over 10 year of expertise in the distribution of electronic components. Based in Hongkong, we have already established firm and mutual-benefit business relationships with customers from,Europe,America and south Asia,supplying obsolete and hard-to-find components to meet their specific needs.

With the principle of “Quality Parts,Customers Priority,Honest Operation,and Considerate Service”,our business mainly focus on the distribution of electronic components. Line cards we deal with include Microchip,ALPS,ROHM,Xilinx,Pulse,ON,Everlight and Freescale. Main products comprise IC,Modules,Potentiometer,IC Socket,Relay,Connector.Our parts cover such applications as commercial,industrial, and automotives areas.

We are looking forward to setting up business relationship with you and hope to provide you with the best service and solution. Let us make a better world for our industry!



Contact us

Tel: +86-755-8981 8866 Fax: +86-755-8427 6832

Email & Skype: info@chipsmall.com Web: www.chipsmall.com

Address: A1208, Overseas Decoration Building, #122 Zhenhua RD., Futian, Shenzhen, China



6ZLLE09S
(.ON 0NIMVHD)台要理図

版数 REV.	年月日 DATE	DCN NO.	変更内容 DESCRIPTION	製図 DR.	担当 CHK.	査閲 APPD.	承認 APPD.

基板取付穴寸法(参考)

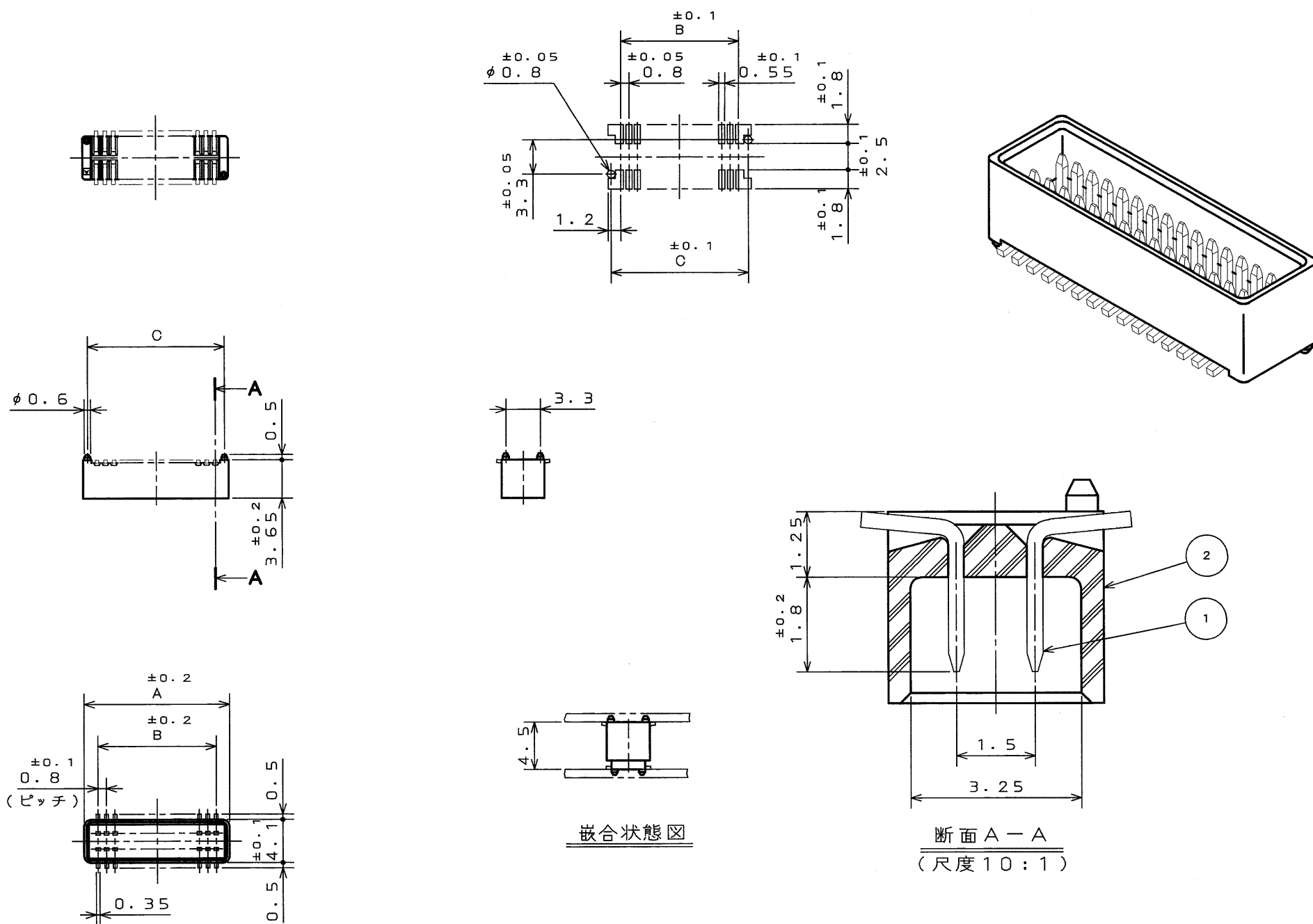


表-1

芯数N	A	B	C
6	4.2	1.6	3.4
8	5	2.4	4.2
10	5.8	3.2	5
12	6.6	4	5.8
14	7.4	4.8	6.6
16	8.2	5.6	7.4
18	9	6.4	8.2
20	9.8	7.2	9
22	10.6	8	9.8
24	11.4	8.8	10.6
26	12.2	9.6	11.4
28	13.0	10.4	12.2
30	13.8	11.2	13
32	14.6	12	13.8
34	15.4	12.8	14.6
36	16.2	13.6	15.4

嵌合状態図

断面A-A
(尺度10:1)

注1. ポス無し品名... IL-WX-**P-VF-*E
 . ポス有り品名... IL-WX-**PB-VF-*E
 2. IL-WX-**P*-VF-*E インシュレータ色相
 (淡灰は無記入、Bは黒)

2	インシュレータ	1	ガラス入りPPS	色相: 淡灰
1	コンタクト	N	バネ用高力銅	錫または錫合金(無鉛)
符号 NO.	名称 DESCRIPTION	個数 QTY.	材料 MATERIAL	仕上 FINISH
仕様書(SPECIFICATION)		第1版(ORIGINAL DATE) 2003.3.3		備考 REMARKS
公差(GENERAL TOLERANCE)		製図 DR. 桜田		名称(TITLE) Reference Only IL-WX-**P*-VF-*E 重量(WEIGHT)
寸法(DIMENSION) 角度(ANGLES)		担当 CHK. 森竹		
. ±0.8 X° ±		査閲 APPD. —		
.X ±0.4 X°X' ±		承認 APPD. 藤		
.XX ±0.1		図面番号(DRAWING NO.)		版数 (REV.)
.XXX ±		SJ037729		1

LEAD FREE この製品は鉛フリー品です

DOF-0-212D(98.02)

CDS-03-199-50088

SIZE A3