



Chipsmall Limited consists of a professional team with an average of over 10 year of expertise in the distribution of electronic components. Based in Hongkong, we have already established firm and mutual-benefit business relationships with customers from,Europe,America and south Asia,supplying obsolete and hard-to-find components to meet their specific needs.

With the principle of "Quality Parts,Customers Priority,Honest Operation,and Considerate Service",our business mainly focus on the distribution of electronic components. Line cards we deal with include Microchip,ALPS,ROHM,Xilinx,Pulse,ON,Everlight and Freescale. Main products comprise IC,Modules,Potentiometer,IC Socket,Relay,Connector.Our parts cover such applications as commercial,industrial, and automotives areas.

We are looking forward to setting up business relationship with you and hope to provide you with the best service and solution. Let us make a better world for our industry!



Contact us

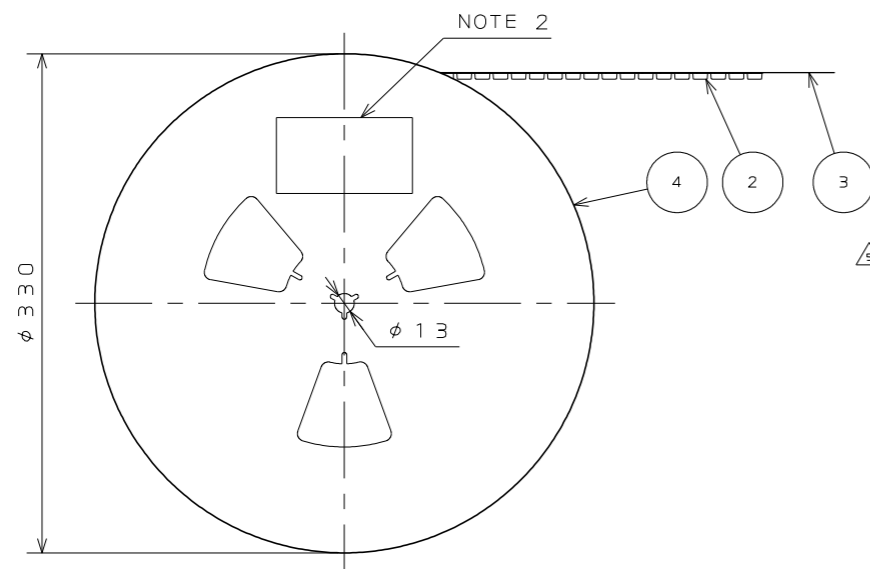
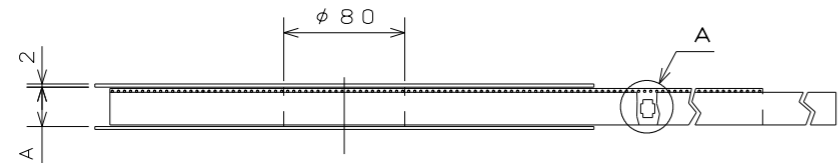
Tel: +86-755-8981 8866 Fax: +86-755-8427 6832

Email & Skype: info@chipsmall.com Web: www.chipsmall.com

Address: A1208, Overseas Decoration Building, #122 Zhenhua RD., Futian, Shenzhen, China



EEZZEOPS
('ON ENIMVARD) 台巻理図



- NOTE1. SUFFIX "E1000" OF PART NUMBER "IL-WX-*S*-VF-*E1000E" INDICATES 1000PCS. IN REEL.
2. THE LABEL IN WHICH PART NO., NUMBER OF CONNECTORS, LOT NO., TAPE WIDTH AND FEED PITCH ARE MARKED, AS INDICATED
3. REFER TO THE DRAWING SJ037730 (IL-WX-*S*-VF-*E1000E) FOR THE DIMENSIONS.
4. IN CASE THAT DIMENSIONS B (TAPE WIDTH) IS 16, 24mm, THERE IS PILOT HOLE AT ONE SIDE ONLY.

- 注1. "IL-WX-*S*-VF-*E1000E" は収納数1000個入りのリールに収納された品名を表す。
2. 図示の位置に下記のシールを貼り、品名、収納数、ロットNo. 及びテープの幅と送りピッチを記入する。

| | |
|---------------------|----------------------|
| 現品ラベル/ARTICLE LABEL | |
| 品名 (DESCRIPTION) | IL-WX-*S*-VF-*E1000E |
| 図番 (PART No.) | SJ037733 |
| 数量 (Q'ty) | 1,000 |
| ITEM NO | ***** |
| Lot No. | ***** |
| E.Code. | TB**12 |

2014/01/17
MADE IN JAPAN
JAE Japan Aviation Electronics Industry, Ltd. QCF-C-0676(1201)/JAPS-9006-2

3. コネクタ寸法はSJ037730 (IL-WX-*S*-VF-*E) 参照。
4. B寸法 (テープ幅) が16, 24の場合、パイロット穴は片側のみである。

| 版数 VER. | 年月日 DATE | CN NO. | 変更内容 DESCRIPTION | 製図 DR. | 担当 CHK. | 査閲 APPD. | 承認 APPD. |
|------------|-------------|--------|--|------------|------------|-------------|-------------|
| 2 | 15.Feb.2005 | 056726 | REDRAWN | H.SAKURADA | N.UCHIYAMA | Y.YAHIRO | K.HISATOMI |
| 3 | 30.May.2014 | 009317 | REVISED ARTICLE LABEL | M.SAITOU | N.UCHIYAMA | | T.KUDO |
| 4 | 30.Jun.2014 | 010228 | CHANGE CARRIER TAPE MATERIAL AND THICKNESS | | N.UCHIYAMA | | T.KUDO |
| 5 | 24.May.2016 | 014046 | ERROR CORRECTION | | N.UCHIYAMA | | T.KUDO |

DETAIL A
(SCALE 2:1)

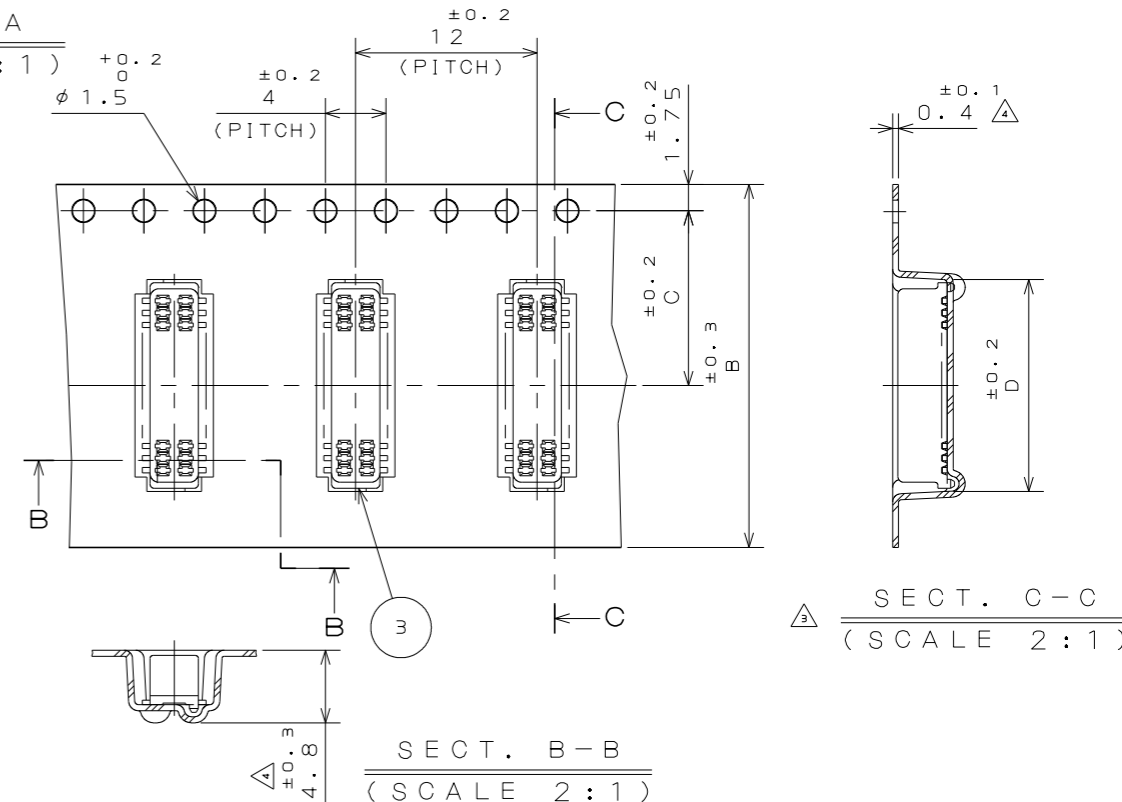
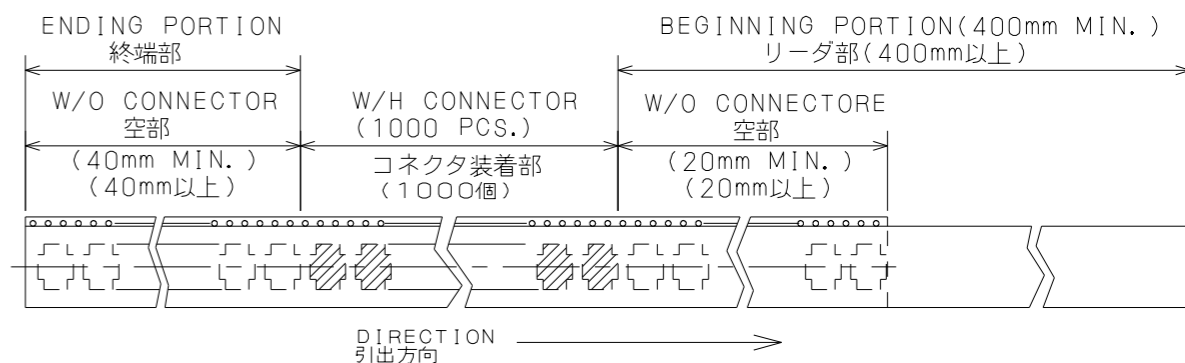


TABLE 1

| PART NUMBER 品名 | A | B | C | D |
|-----------------------|----|----|------|------|
| IL-WX- 6S*-VF-*E1000E | 18 | 16 | 7.5 | 4.4 |
| IL-WX- 8S*-VF-*E1000E | 18 | 16 | 7.5 | 5.2 |
| IL-WX-10S*-VF-*E1000E | 18 | 16 | 7.5 | 6.0 |
| IL-WX-12S*-VF-*E1000E | 18 | 16 | 7.5 | 6.65 |
| IL-WX-14S*-VF-*E1000E | 18 | 16 | 7.5 | 7.6 |
| IL-WX-16S*-VF-*E1000E | 18 | 16 | 7.5 | 8.4 |
| IL-WX-18S*-VF-*E1000E | 18 | 16 | 7.5 | 9.2 |
| IL-WX-20S*-VF-*E1000E | 18 | 16 | 7.5 | 10.0 |
| IL-WX-22S*-VF-*E1000E | 26 | 24 | 11.5 | 10.8 |
| IL-WX-24S*-VF-*E1000E | 26 | 24 | 11.5 | 11.6 |
| IL-WX-26S*-VF-*E1000E | 26 | 24 | 11.5 | 12.4 |
| IL-WX-28S*-VF-*E1000E | 26 | 24 | 11.5 | 13.2 |
| IL-WX-30S*-VF-*E1000E | 26 | 24 | 11.5 | 14.0 |
| IL-WX-32S*-VF-*E1000E | 26 | 24 | 11.5 | 14.8 |
| IL-WX-34S*-VF-*E1000E | 26 | 24 | 11.5 | 15.6 |
| IL-WX-36S*-VF-*E1000E | 26 | 24 | 11.5 | 16.4 |



| | | | | | |
|--------------------------|-------------------|-----------------------------------|----------------|---|--------------------------------------|
| 4 | REEL | — | PAPER | | |
| 3 | COVER TAPE | — | POLYESTER | | |
| 2 | CARRIER TAPE | — | POLYSTYRENE | | |
| 1 | CONNECTOR | 1000 | | | IL-WX-*S*-VF-*E SJ037730 (NOTE 3) |
| 符号 NO. | 名称 DESCRIPTION | 個数 QTY. | 材料 MATERIAL | 仕上 FINISH | 備考 REMARKS |
| 仕様書 (SPECIFICATION) | | 第1版 (ORIGINAL DATE) 3.Mar.2003 | | 尺度 (SCALE) | シリーズ (SERIES) IL-WX |
| 一般公差 (GENERAL TOLERANCE) | | 製図 DR. H.SAKURADA | | 名称 (TITLE) IL-WX-*S*-VF -*E1000E | |
| 寸法 (DIMENSION) | | 担当 CHK. T.MORITAKE | | 日本航空電子工業株式会社 JAPAN AVIATION ELECTRONICS INDUSTRY, LTD. | |
| 角度 (ANGLES) | | 査閲 APPD. | | 図面番号 (DRAWING NO.) SJ037733 | |
| . ±0.8 | | 承認 APPD. T.MORINO | | 版数 (VER.) 5 | |
| .x ±0.4 | | 単位 (UNIT) : mm | | 質量 (MASS) | |
| .xx ±0.1 | | | | | |
| .xxx ± | | | | | |

DCF-C-212H(12.08)

WISDOM承認 2016/05/26

SIZE A3