



Chipsmall Limited consists of a professional team with an average of over 10 year of expertise in the distribution of electronic components. Based in Hongkong, we have already established firm and mutual-benefit business relationships with customers from,Europe,America and south Asia,supplying obsolete and hard-to-find components to meet their specific needs.

With the principle of “Quality Parts,Customers Priority,Honest Operation,and Considerate Service”,our business mainly focus on the distribution of electronic components. Line cards we deal with include Microchip,ALPS,ROHM,Xilinx,Pulse,ON,Everlight and Freescale. Main products comprise IC,Modules,Potentiometer,IC Socket,Relay,Connector.Our parts cover such applications as commercial,industrial, and automotives areas.

We are looking forward to setting up business relationship with you and hope to provide you with the best service and solution. Let us make a better world for our industry!



Contact us

Tel: +86-755-8981 8866 Fax: +86-755-8427 6832

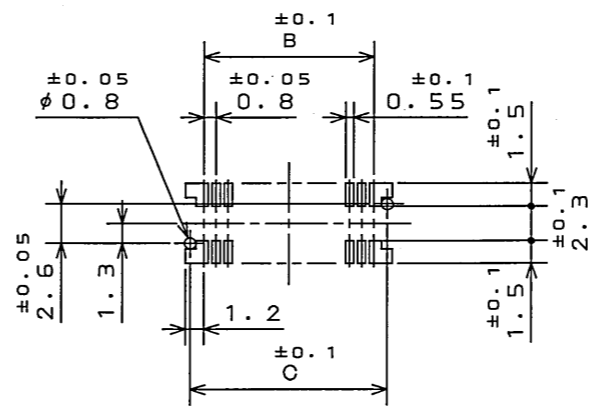
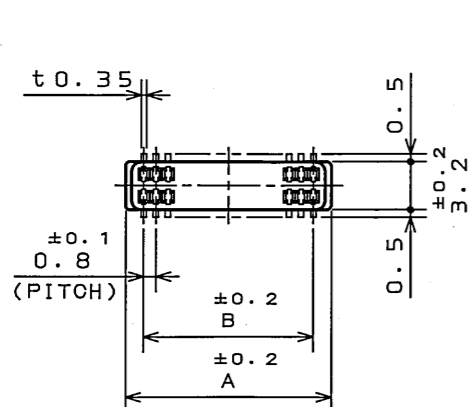
Email & Skype: info@chipsmall.com Web: www.chipsmall.com

Address: A1208, Overseas Decoration Building, #122 Zhenhua RD., Futian, Shenzhen, China



0E77E0P8
(ON 0NIMVHD)台要図

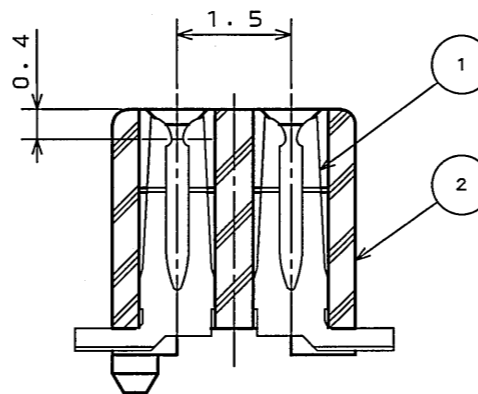
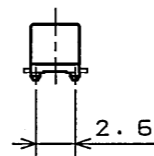
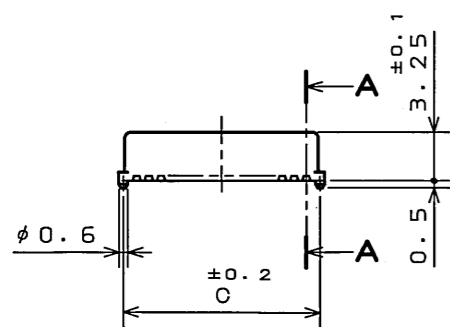
版数 REV.	年月日 DATE	DCN NO.	変更内容 DESCRIPTION	製図 DR.	担当 CHK.	査閲 APPD.	承認 APPD.
2	15.Feb.2005	056726	REDRAWN	H.SAKURADA	N.UCHIYAMA	Y.YAHIRO	K.Hizatom



P.C.B. HOLE PATTERNS (REF.)
基板取付穴寸法 (参考)

TABLE 1

NO. OF CONTACTS 芯数	A	B	C
6	4	1.6	3.4
8	4.8	2.4	4.2
10	5.6	3.2	5
12	6.4	4	5.8
14	7.2	4.8	6.6
16	8	5.6	7.4
18	8.8	6.4	8.2
20	9.6	7.2	9
22	10.4	8	9.8
24	11.2	8.8	10.6
26	12	9.6	11.4
28	12.8	10.4	12.2
30	13.6	11.2	13
32	14.4	12.0	13.8
34	15.2	12.8	14.6
36	16.0	13.6	15.4



SECT. A-A
(SCALE 10:1)

NOTE 1. WITH OUT BOSS... IL-WX-***S-VF-*E
WITH BOSS... IL-WX-***SB-VF-*E
注1. ボス無し品名... IL-WX-***S-VF-*E
ボス有り品名... IL-WX-***SB-VF-*E
2. IL-WX-***S*-VF-*E

INSULATOR COLOR
インシュレータ色相
(無記入: 淡灰 NONE: LIGHT GRAY
B: 黒 B: BLACK)

2	INSULATOR	1	GLASS FILLED PPS		
1	CONTACT	N	COPPER ALLOY	(LEAD FREE) TIN/TIN ALLOY OVER NICKEL	
符号 NO.	名称 DESCRIPTION	個数 QTY.	材料 MATERIAL	仕上 FINISH	備考 REMARKS
仕様書 (SPECIFICATION)		第1版 (ORIGINAL DATE) 3.Mar.2003		尺度 (SCALE) 2:1	シリーズ (SERIES) IL-WX
一般公差 (GENERAL TOLERANCE)		製図 DR. H.SAKURADA		名称 (TITLE) IL-WX-***S*-VF-*E	
寸法 (DIMENSION)		担当 CHK. T.MORITAKE			
角度 (ANGLES)		査閲 APPD.			
·	±0.8	X° ±	承認 APPD.	日本航空電子工業株式会社 JAPAN AVIATION ELECTRONICS INDUSTRY, LTD.	
·X	±0.4	X°X' ±	承認 APPD.		
·XX	±0.1		T.MORINO		
·XXX	±			質量 (MASS)	図面番号 (DRAWING NO.) SJ037730

LEAD FREE この製品は鉛フリー品です

JAE CONNECTOR DIV. PROPRIETARY.
COPYRIGHT (C) 2003, JAPAN AVIATION ELECTRONICS INDUSTRY, LTD.

DOF-0-212E(03.08)

