



Chipsmall Limited consists of a professional team with an average of over 10 year of expertise in the distribution of electronic components. Based in Hongkong, we have already established firm and mutual-benefit business relationships with customers from,Europe,America and south Asia,supplying obsolete and hard-to-find components to meet their specific needs.

With the principle of “Quality Parts,Customers Priority,Honest Operation,and Considerate Service”,our business mainly focus on the distribution of electronic components. Line cards we deal with include Microchip,ALPS,ROHM,Xilinx,Pulse,ON,Everlight and Freescale. Main products comprise IC,Modules,Potentiometer,IC Socket,Relay,Connector.Our parts cover such applications as commercial,industrial, and automotives areas.

We are looking forward to setting up business relationship with you and hope to provide you with the best service and solution. Let us make a better world for our industry!



Contact us

Tel: +86-755-8981 8866 Fax: +86-755-8427 6832

Email & Skype: info@chipsmall.com Web: www.chipsmall.com

Address: A1208, Overseas Decoration Building, #122 Zhenhua RD., Futian, Shenzhen, China



SJ037746
(DRAWING NO.)

版数 REV.	年月日 DATE	DCN NO.	変更内容 DESCRIPTION	製図 DR.	担当 CHK.	査閲 APPD.	承認 APPD.
2	18.Jun.2004	055330	CHANGE FINISH OF CONTACT		N.UCHIYAMA	K.Kawase	Morino

P.C.B. HOLE PATTERNS (REF.)
基板取付穴寸法(参考)

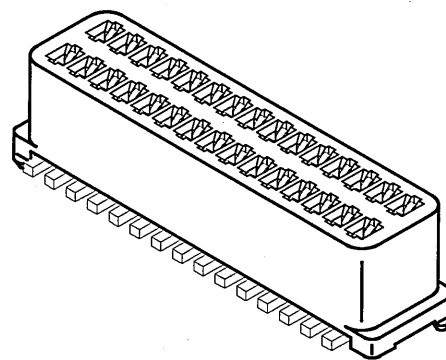
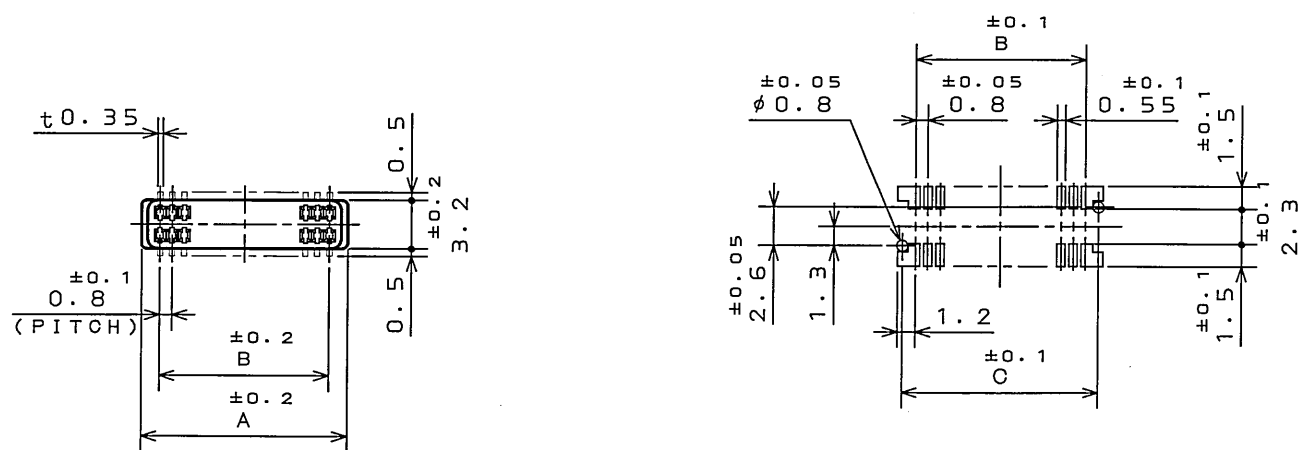
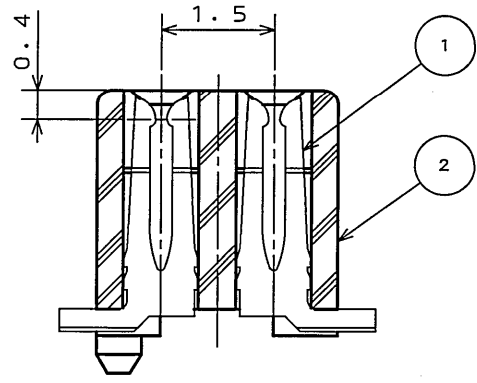
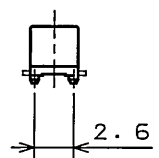
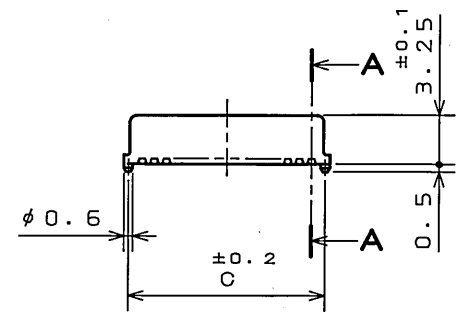


TABLE-1

NO. OF CONTACTS(N)	A	B	C
6	4.0	1.6	3.4
8	4.8	2.4	4.2
10	5.6	3.2	5.0
12	6.4	4.0	5.8
14	7.2	4.8	6.6
16	8.0	5.6	7.4
18	8.8	6.4	8.2
20	9.6	7.2	9.0
22	10.4	8.0	9.8
24	11.2	8.8	10.6
26	12.0	9.6	11.4
28	12.8	10.4	12.2
30	13.6	11.2	13.0
32	14.4	12.0	13.8
34	15.2	12.8	14.6
36	16.0	13.6	15.4



SECT. A-A
(SCALE 10:1)

NOTE 1. WITHOUT BOSS... IL-WX-**S-VF-A1-BE
. WITH BOSS... IL-WX-**SB-VF-A1-BE

2. IL-WX-**S*-VF-A1-BE
INSULATOR COLOR
(B: BLACK)

注 1. ボス無し品名... IL-WX-**S-VF-A1-BE
. ボス有り品名... IL-WX-**SB-VF-A1-BE

2. IL-WX-**S*-VF-A1-BE
インシュレータ色相
(Bは黒)

2	INSULATOR	1	GLASS FILLED PPS	NONE	COLOR: BLACK
1	CONTACT	N	PHOSPHOR BRONZE	CONTACT AREA : GOLD OVER NICKEL TERMINAL AREA: TIN/TIN ALLOY OVER NICKEL	
符号 NO.	名称 DESCRIPTION	個数 QTY.	材料 MATERIAL	仕上 FINISH	備考 REMARKS
仕様書 (SPECIFICATION)		第1版 (ORIGINAL DATE) 3.Mar.2003		尺度 (SCALE) 2:1	シリーズ (SERIES) IL-WX
公差差 (GENERAL TOLERANCE)		製図 DR. J. ICHIIYAMA		名称 (TITLE) IL-WX-**S* -VF-A1-BE	
寸法 (DIMENSION)		担当 CHK. T. MORITAKE			
角度 (ANGLES)		査閲 APPD.			
. ±0.8 ° ± . X ±0.4 ° X' ± . XX ±0.1 . XXX ±		承認 APPD. T. MORINO			
				質量 (MASS)	図面番号 (DRAWING NO.) SJ037746

DOF-0-212E(03.08)



LEAD FREE この製品は鉛フリー品です

SIZE A3