



Chipsmall Limited consists of a professional team with an average of over 10 year of expertise in the distribution of electronic components. Based in Hongkong, we have already established firm and mutual-benefit business relationships with customers from,Europe,America and south Asia,supplying obsolete and hard-to-find components to meet their specific needs.

With the principle of “Quality Parts,Customers Priority,Honest Operation,and Considerate Service”,our business mainly focus on the distribution of electronic components. Line cards we deal with include Microchip,ALPS,ROHM,Xilinx,Pulse,ON,Everlight and Freescale. Main products comprise IC,Modules,Potentiometer,IC Socket,Relay,Connector.Our parts cover such applications as commercial,industrial, and automotives areas.

We are looking forward to setting up business relationship with you and hope to provide you with the best service and solution. Let us make a better world for our industry!



Contact us

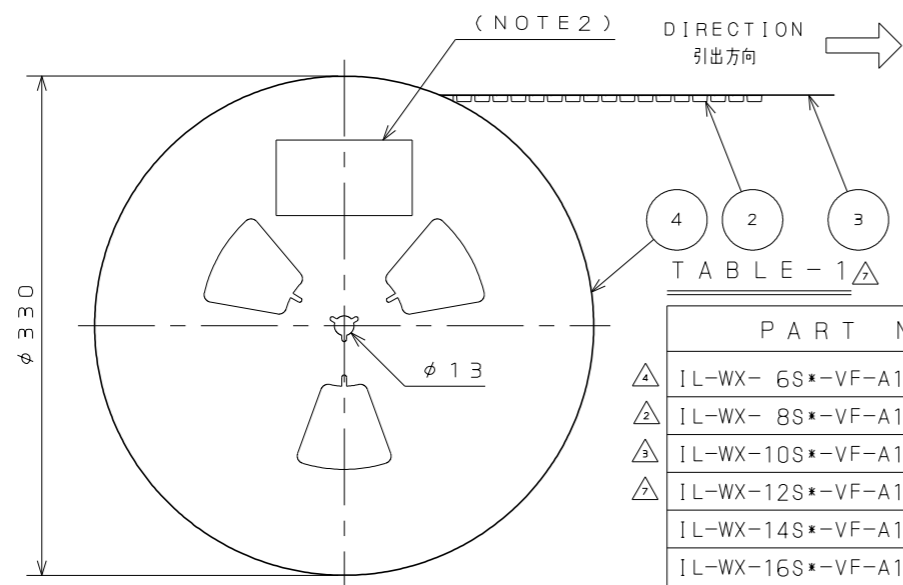
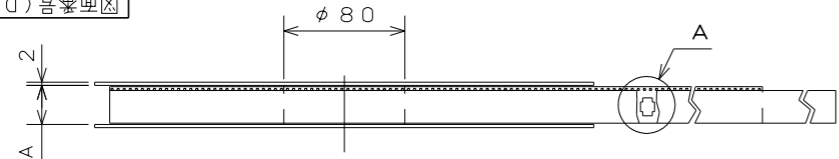
Tel: +86-755-8981 8866 Fax: +86-755-8427 6832

Email & Skype: info@chipsmall.com Web: www.chipsmall.com

Address: A1208, Overseas Decoration Building, #122 Zhenhua RD., Futian, Shenzhen, China



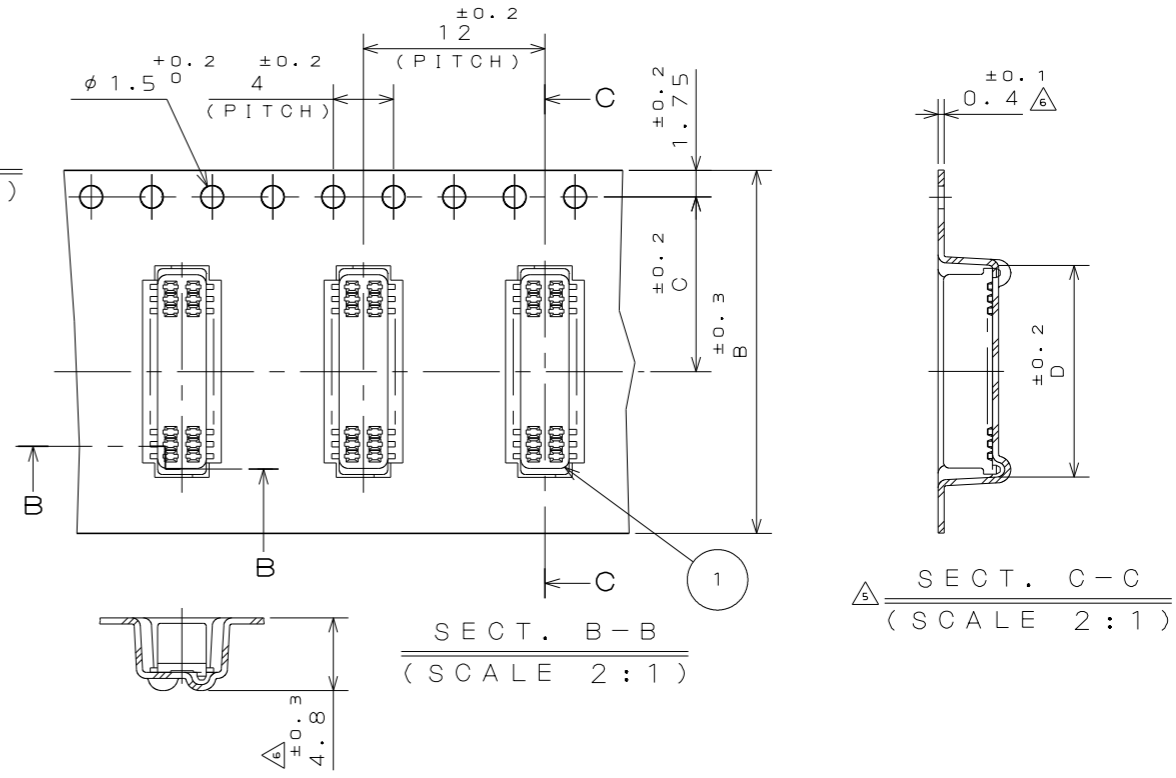
SJ037747
図面番号(DRAWING NO.)



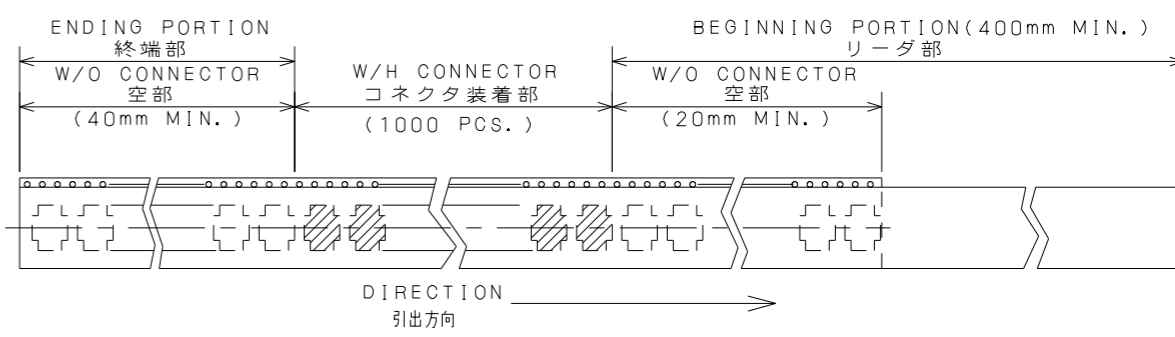
DETAIL A
(SCALE 2:1)

PART NO.	A	B	C	D
IL-WX-6S*-VF-A1-B-E1000E	18	16	7.5	4.4
IL-WX-8S*-VF-A1-B-E1000E	18	16	7.5	5.2
IL-WX-10S*-VF-A1-B-E1000E	18	16	7.5	6.0
IL-WX-12S*-VF-A1-B-E1000E	18	16	7.5	6.65
IL-WX-14S*-VF-A1-B-E1000E	18	16	7.5	7.6
IL-WX-16S*-VF-A1-B-E1000E	18	16	7.5	8.4
IL-WX-18S*-VF-A1-B-E1000E	18	16	7.5	9.2
IL-WX-20S*-VF-A1-B-E1000E	18	16	7.5	10.0
IL-WX-24S*-VF-A1-B-E1000E	26	24	11.5	11.6
IL-WX-28S*-VF-A1-B-E1000E	26	24	11.5	13.2
IL-WX-30S*-VF-A1-B-E1000E	26	24	11.5	14.0
IL-WX-32S*-VF-A1-B-E1000E	26	24	11.5	14.8
IL-WX-34S*-VF-A1-B-E1000E	26	24	11.5	15.6
IL-WX-36S*-VF-A1-B-E1000E	26	24	11.5	16.4

版数 VER.	年月日 DATE	CN NO.	変更内容 DESCRIPTION	製図 DR.	担当 CHK.	査閲 APPD.	承認 APPD.
2	12.Nov.2004	056172	ADD AITEM		N.UCHIYAMA	Y.YAHIRO	K.HISATOMI
3	27.Sep.2005	058325	ADD ITEM		T.URANO	T.MORITAKE	K.HISATOMI
4	29.May.2012	001536	ADDED ITEM	E.MURANO	K.KIMURA	N.IKENAGA	G.HAGA
5	30.May.2014	009317	REVIESED ARTICLE LABEL	M.SAITOU	N.UCHIYAMA		T.KUDO
6	30.Jun.2014	010228	CHANGE CARRIER TAPE MATERIAL AND THICKNESS		N.UCHIYAMA		T.KUDO
7	24.May.2016	014046	ERROR CORRECTION		N.UCHIYAMA		T.KUDO



- NOTE1. SUFFIX "E1000E" OF PART NUMBER "IL-WX-*S*-VF-A1-B-E1000E" INDICATES 1000 PCS IN REEL.
2. THE LEVEL, IN WHICH PART NO., NO. OF CONNECTORS, LOT NO., TAPE WIDTH AND FEED PITCH ARE MARKED IS TO BE ATTACHED ON THE MAGAZINE AS SHOWN.
3. REFER TO THE DRAWING, SJ037746 FOR THE DIMENSIONS OF THE CONNECTOR.
4. IN CASE THAT DIMENSIONS B (TAPE WIDTH) IS 16, 24mm, THERE IS PILOT HOLES AT THE ONE SIDE ONLY.
- 注1. "IL-WX-*S*-VF-A1-B-E1000E"は 収納数 1000個入りのリールに収納された品名を表す。
- 注2. 図示の位置に 下記のシールを貼り 品名, 収納数, ロットNo. 及び テープの幅と送りピッチを記入する。
- 注3. コネクタ寸法は SJ037746 (IL-WX-*S*-VF-A1-BE) 参照。
- 注4. B寸法(テープ幅)が16, 24の場合、パイロット穴は片側のみである。



現品ラベル/ARTICLE LABEL

品名(DESCRIPTION) IL-WX-*S*-VF-A1-B-E1000E

図番(PART No.) SJ037747

数量(Q'ty) 1,000

ITEM NO *****

Lot No. *****

E.Code. TB**12

2014/01/17
MADE IN JAPAN
JAE Japan Aviation Electronics Industry, Ltd.
QCF-C-0676(12.01)/JAPS-9006-2

符号 NO.	名称 DESCRIPTION	個数 QTY.	材料 MATERIAL	仕上 FINISH	備考 REMARKS
4	PAPER REEL	—	PAPER		
3	COVER TAPE	—	PET		
2	CARRIER TAPE	—	POLYSTYRENE	△	
1	CONNECTOR	1000			IL-WX-*S*-VF-A1-BE SJ037746(NOTE3)
仕様書(SPECIFICATION)		第1版(ORIGINAL DATE) 3.Mar.2003		尺度(SCALE) シリーズ(SERIES) IL-WX	
一般公差(GENERAL TOLERANCE)		製図 DR. J. ICHIIYAMA		名称(TITLE) IL-WX-*S*-VF -A1-B-E1000E	
寸法(DIMENSION)		担当 CHK. T.MORITAKE		JAE CONNECTOR.COM Reference Only	
角度(ANGLES)		査閲 APPD.			
単位(UNIT): mm		承認 APPD. T.MORINO			
. ±0.8		質量(MASS)		日本航空電子工業株式会社 JAPAN AVIATION ELECTRONICS INDUSTRY, LTD.	
.x ±0.4					
.xx ±0.1					
.xxx ±					
				図面番号(DRAWING NO.) SJ037747	

DCF-C-212H(12.08)

WISDOM承認 2016/05/26

SIZE A3