



Chipsmall Limited consists of a professional team with an average of over 10 year of expertise in the distribution of electronic components. Based in Hongkong, we have already established firm and mutual-benefit business relationships with customers from,Europe,America and south Asia,supplying obsolete and hard-to-find components to meet their specific needs.

With the principle of “Quality Parts,Customers Priority,Honest Operation,and Considerate Service”,our business mainly focus on the distribution of electronic components. Line cards we deal with include Microchip,ALPS,ROHM,Xilinx,Pulse,ON,Everlight and Freescale. Main products comprise IC,Modules,Potentiometer,IC Socket,Relay,Connector.Our parts cover such applications as commercial,industrial, and automotives areas.

We are looking forward to setting up business relationship with you and hope to provide you with the best service and solution. Let us make a better world for our industry!



Contact us

Tel: +86-755-8981 8866 Fax: +86-755-8427 6832

Email & Skype: info@chipsmall.com Web: www.chipsmall.com

Address: A1208, Overseas Decoration Building, #122 Zhenhua RD., Futian, Shenzhen, China



SJ019165-E

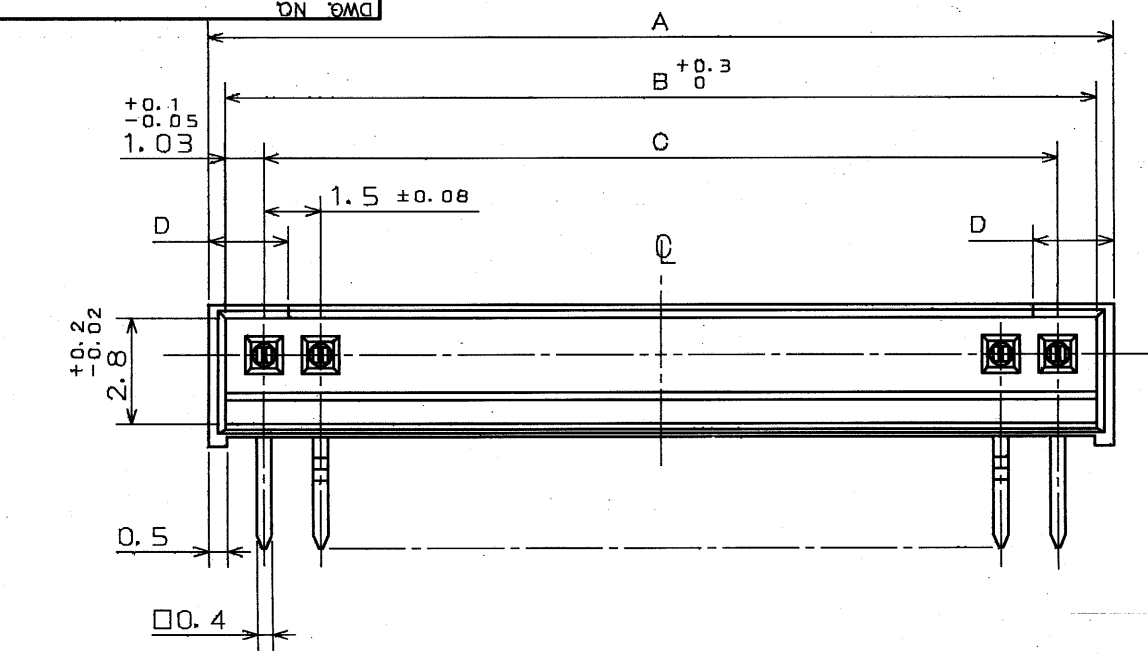


FIGURE 1.
POSITIONS OF FORMED CONTACT TAILS

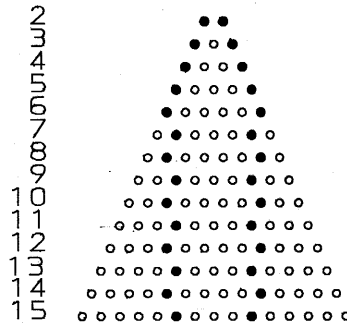
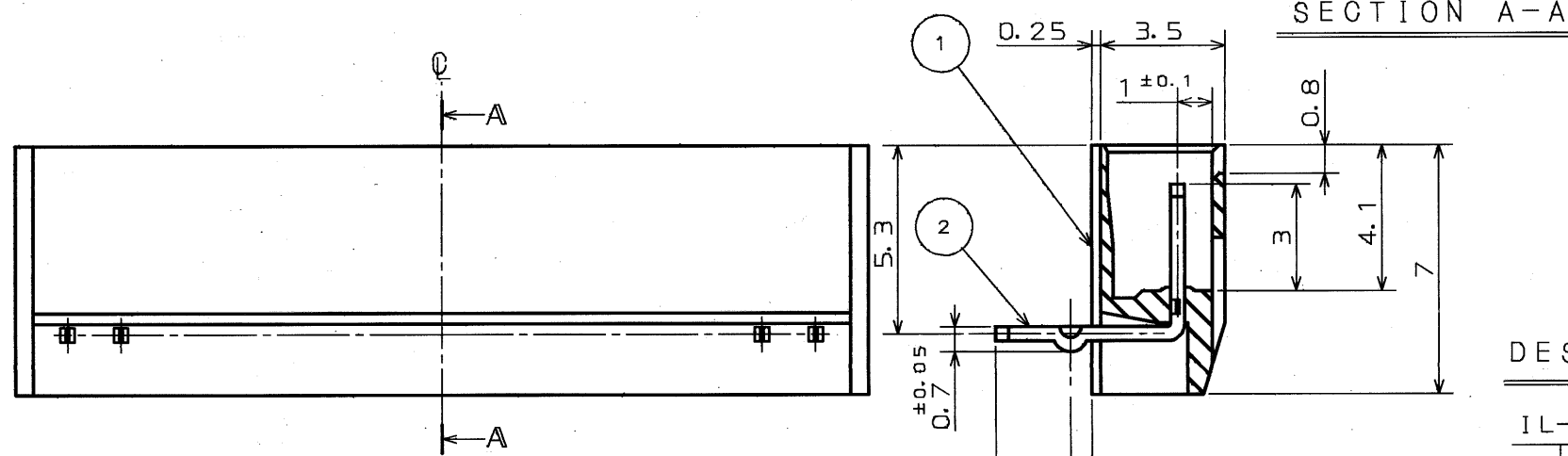


TABLE 1

No. OF CONTACT	A ^{+0.3} / ₀	B ^{+0.3} / ₀	C	D
2	4.45	3.55	1.5	1.38
3	5.95	5.05	3.0	2.13
4	7.45	6.55	4.5	↑
5	8.95	8.05	6.0	
6	10.45	9.55	7.5	
7	11.95	11.05	9.0	
8	13.45	12.55	10.5	
9	14.95	14.05	12.0	
10	16.45	15.55	13.5	
11	17.95	17.05	15.0	
12	19.45	18.55	16.5	
13	20.95	20.05	18.0	
14	22.45	21.55	19.5	↓
15	23.95	23.05	21.0	2.13



DESIGNATION

IL-Y-**-P-S 15 L 2 - E F - *

NO DESIGNATION: LIGHT BROWN
W: WHITE, B: BLACK
R: RED, G: GREEN
COLOR OF INSULATOR

FORMED TAIL (SEE NOTE 2)

TAIL LENGTH E: 2.7 mm

APPLICABLE P.C.B THICKNESS 2: 0.8~1.6 mm

TAIL FORM L: ANGLE THROUGH HOLE

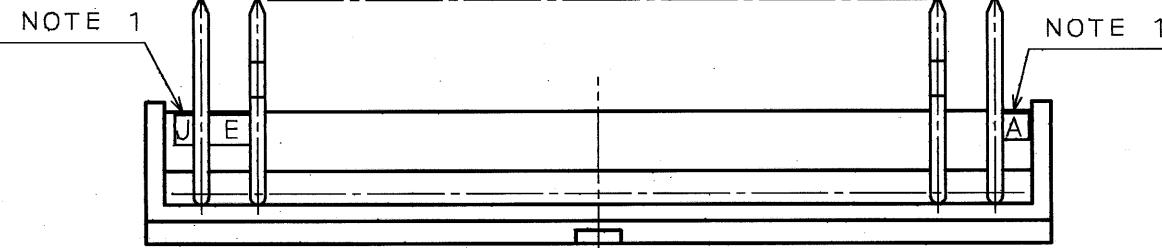
PITCH (1.5 mm)

SERIES PREFIX

NO. OF CONTACT

CONTACT TYPE P: PIN CONTACT

CONTACT ROW S: SINGLE



NOTE 1. COMPANY LOGO AND TOOL MARK APPEAR IN RELIEF.

2. FORMED CONTACT TAILS FOR FIXING PIN HEADER ARE PROVIDED ON POSITIONS OF BLACK DOTS AS SHOWN IN THE FIGURE 1. APPLICABLE P.C.B HOLE DIAMETER IS 0.7 ± 0.03 mm.

DIMENSIONS ARE IN MILLIMETERS
TOLERANCES ON: (INCHES)

DIMENSION	ANGLES
. ± 0.8	X° ±
.X ± 0.4	X'X' ±
.XX ± 0.2	CONCENTRICITY
.XXX ±	WITHIN T.I.R.

2	CONTACT	TABLE 1	BRASS	TIN OVER NICKEL	
1	INSULATOR	1	6-6NY		UL 94V-0
ITEM	DESCRIPTION	Q'TY	MATERIAL	FINISH	REMARKS
REFERENCE DOCUMENT		DATE	SCALE 5/1		<p>JAE CONNECTOR.COM Reference Only</p> <p>MUSASHINO, AKISHIMA-SHI TOKYO, JAPAN</p>
		15. DEC ' 88			
		DRAWN	TITLE		
		CHECKED K. IBARAKI	IL-Y-**-P-S 15 L 2 - E F		
		APP'D <i>[Signature]</i>	SERIES IL-Y		DWG. NO. SJ019165-E
		APP'D <i>[Signature]</i>			