



Chipsmall Limited consists of a professional team with an average of over 10 year of expertise in the distribution of electronic components. Based in Hongkong, we have already established firm and mutual-benefit business relationships with customers from,Europe,America and south Asia,supplying obsolete and hard-to-find components to meet their specific needs.

With the principle of “Quality Parts,Customers Priority,Honest Operation,and Considerate Service”,our business mainly focus on the distribution of electronic components. Line cards we deal with include Microchip,ALPS,ROHM,Xilinx,Pulse,ON,Everlight and Freescale. Main products comprise IC,Modules,Potentiometer,IC Socket,Relay,Connector.Our parts cover such applications as commercial,industrial, and automotives areas.

We are looking forward to setting up business relationship with you and hope to provide you with the best service and solution. Let us make a better world for our industry!



Contact us

Tel: +86-755-8981 8866 Fax: +86-755-8427 6832

Email & Skype: info@chipsmall.com Web: www.chipsmall.com

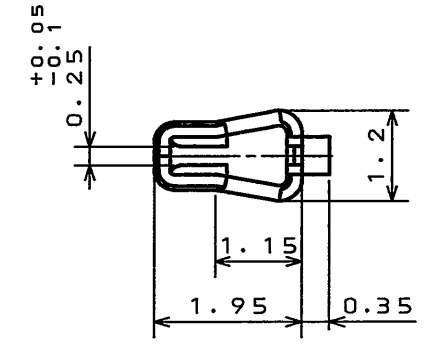
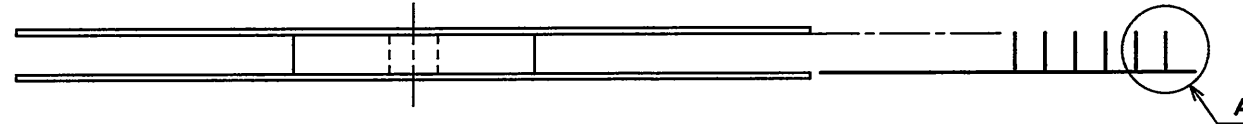
Address: A1208, Overseas Decoration Building, #122 Zhenhua RD., Futian, Shenzhen, China



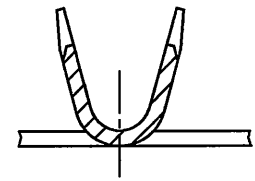
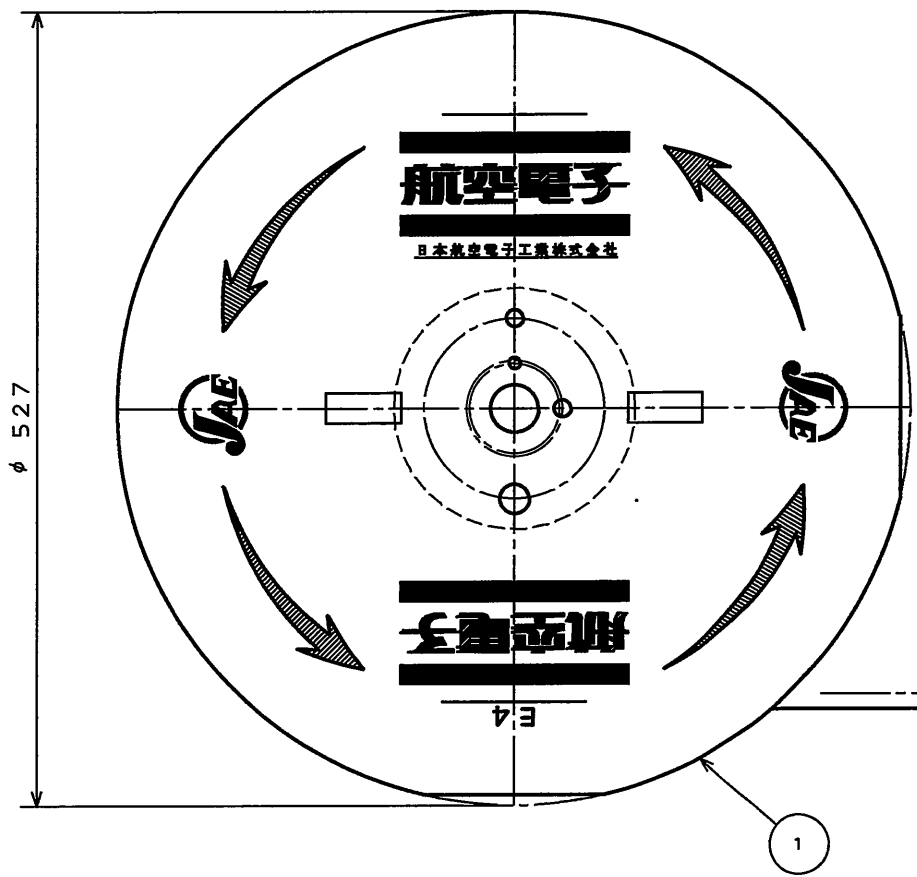
7Z020727

(ON 0NIMARD) 台器理図

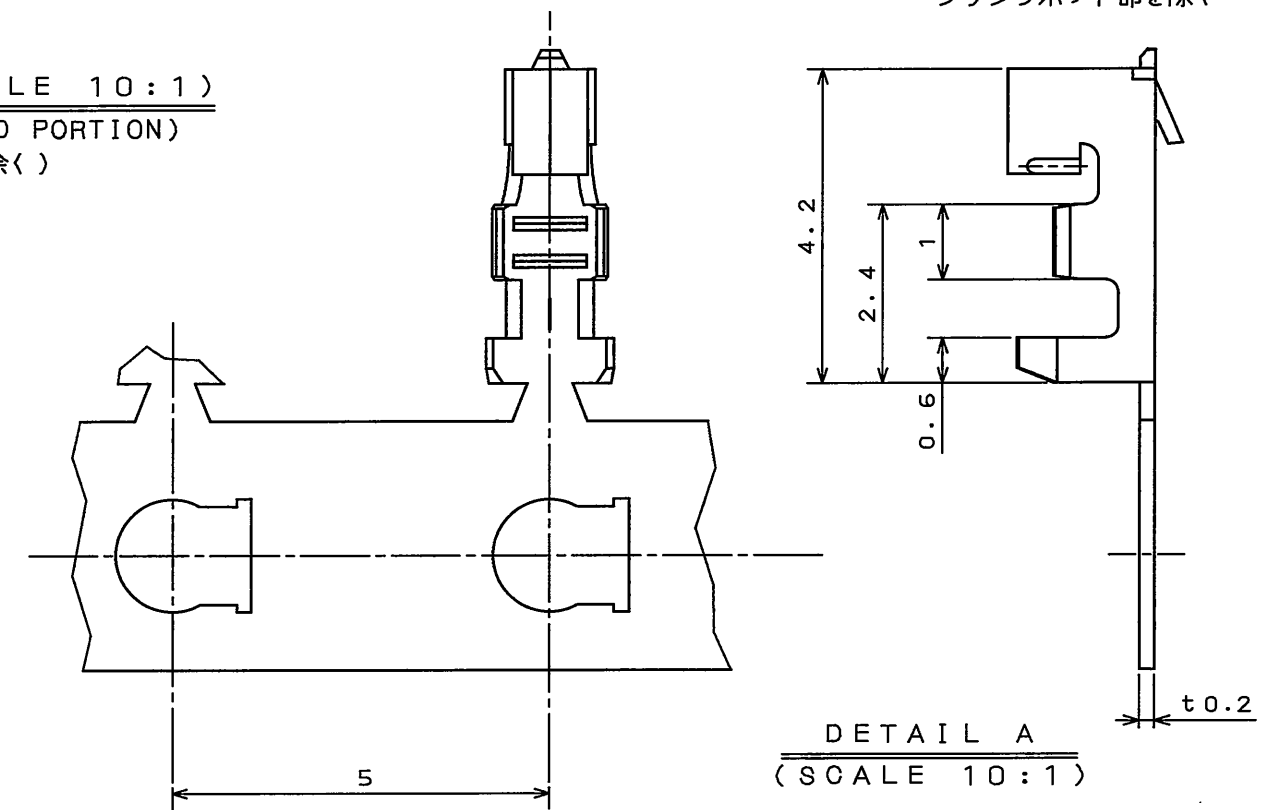
版数 REV.	年月日 DATE	DCN NO.	変更内容 DESCRIPTION	製図 DR.	担当 CHK.	査閲 APPD.	承認 APPD.
2	8.Sep.1989	25662	REVISED MAGAZINE FORM, REDRAWN				
3	31.Jul.1991	29097	DELETE NOTE 5	J.ICHIMYAMA (KITADA)	K.IBARAKI	T.KOSUGE	H.FUJINO
4	18.Mar.2010	069662	REVISED NOTE 4 AND JAPANESE-BILINGUAL	M.SAITOU	N.UCHIYAMA		Y.MIZUSAWA
5	15.Jul.2010	070319	REVISED APPLICABLE WIRE DIAMETER	M.SAITOU	N.UCHIYAMA		y. MIZUSAWA



EXCLUDING CRIMP POT
クリンプポット部を除く



DETAIL B (SCALE 10:1)
(EXCLUDING MATED PORTION)
(嵌合部を除く)



DETAIL A
(SCALE 10:1)

- NOTE1. INSERT PIN: □0.4^{±0.05}
- △2. APPLICABLE WIRE : #26~#30AWG, STRANDED.
APPLICABLE WIRE INSULATION OUTER φ0.7 to φ1.0.
 - 3. NO PLATING ON THE SHEARED AREA OF CONTACT.
 - △4. APPLICABLE CRIMPING MACHINE FOR
IL-Y-C3-A-10000(MAGAZINE ASS'Y) IS 350-ILY-2B
- 注1. 挿入ピンは□0.4^{±0.05}とする。
- △2. 使用電線はAWG#26~#30の撚線とし、被覆外径はφ0.7~φ1.0
 - 3. 剪断面に、メッキは付かない。
 - △4. IL-Y-C3-A-10000(マガジンアッセンブリ)は、次の半自動圧着機に装着する。350-ILY-2B

3	SOCKET CONTACT	10000	PHOSPHOR BRONZE	TIN PLATING	
2	TAPE	1	PAPER		
1	MAGAZINE	1	PAPER		
符号 NO.	名称 DESCRIPTION	個数 QTY.	材料 MATERIAL	仕上 FINISH	備考 REMARKS
仕様書 (SPECIFICATION)		第1版 (ORIGINAL DATE) 27.Feb.1986		尺度 (SCALE)	シリーズ (SERIES) IL-Y
公差 (GENERAL TOLERANCE)		製図 DR. J.HAYAKAWA		名称 (TITLE) IL-Y-C3-A-10000 (MAGAZINE ASSEMBLY)	
寸法 (DIMENSION)		担当 CHK. K.IBARAKI		日本航空電子工業株式会社 JAPAN AVIATION ELECTRONICS INDUSTRY, LTD.	
角度 (ANGLES)		査閲 APPD. T.MIYASHITA			
. ±0.8 X° ±		承認 APPD. H.FUJINO			
.X ±0.5 X°X' ±				図面番号 (DRAWING NO.) SJ020727	
.XX ±0.2 X°X'X' ±				質量 (MASS)	
.XXX ±				版数 (REV.) 5	

DOF-0-212F(05.08)

