



Chipsmall Limited consists of a professional team with an average of over 10 year of expertise in the distribution of electronic components. Based in Hongkong, we have already established firm and mutual-benefit business relationships with customers from,Europe,America and south Asia,supplying obsolete and hard-to-find components to meet their specific needs.

With the principle of “Quality Parts,Customers Priority,Honest Operation,and Considerate Service”,our business mainly focus on the distribution of electronic components. Line cards we deal with include Microchip,ALPS,ROHM,Xilinx,Pulse,ON,Everlight and Freescale. Main products comprise IC,Modules,Potentiometer,IC Socket,Relay,Connector.Our parts cover such applications as commercial,industrial, and automotives areas.

We are looking forward to setting up business relationship with you and hope to provide you with the best service and solution. Let us make a better world for our industry!



## Contact us

Tel: +86-755-8981 8866 Fax: +86-755-8427 6832

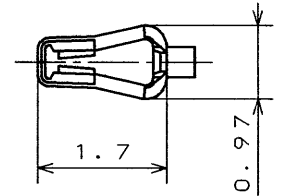
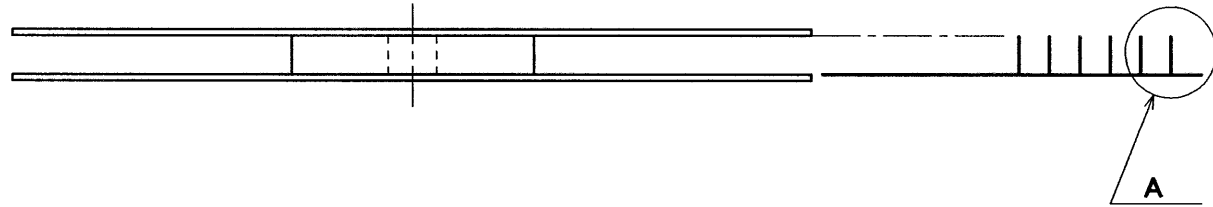
Email & Skype: info@chipsmall.com Web: www.chipsmall.com

Address: A1208, Overseas Decoration Building, #122 Zhenhua RD., Futian, Shenzhen, China

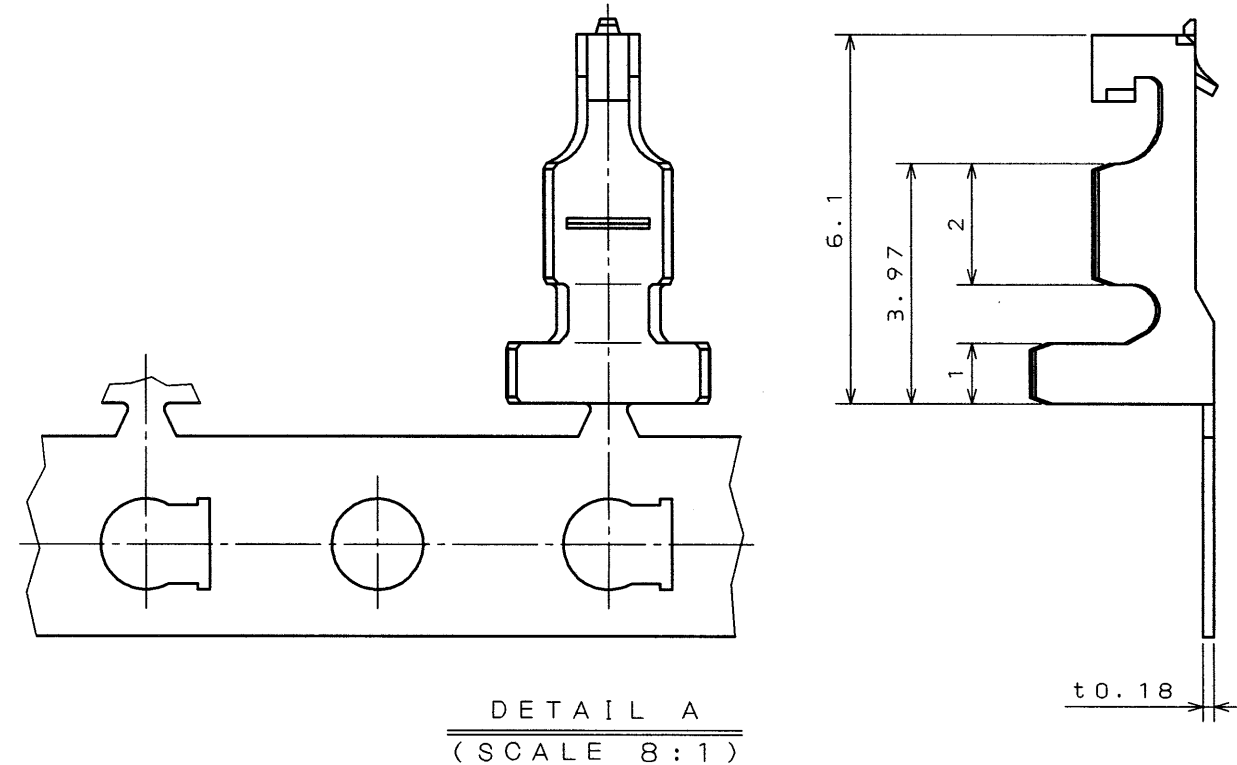
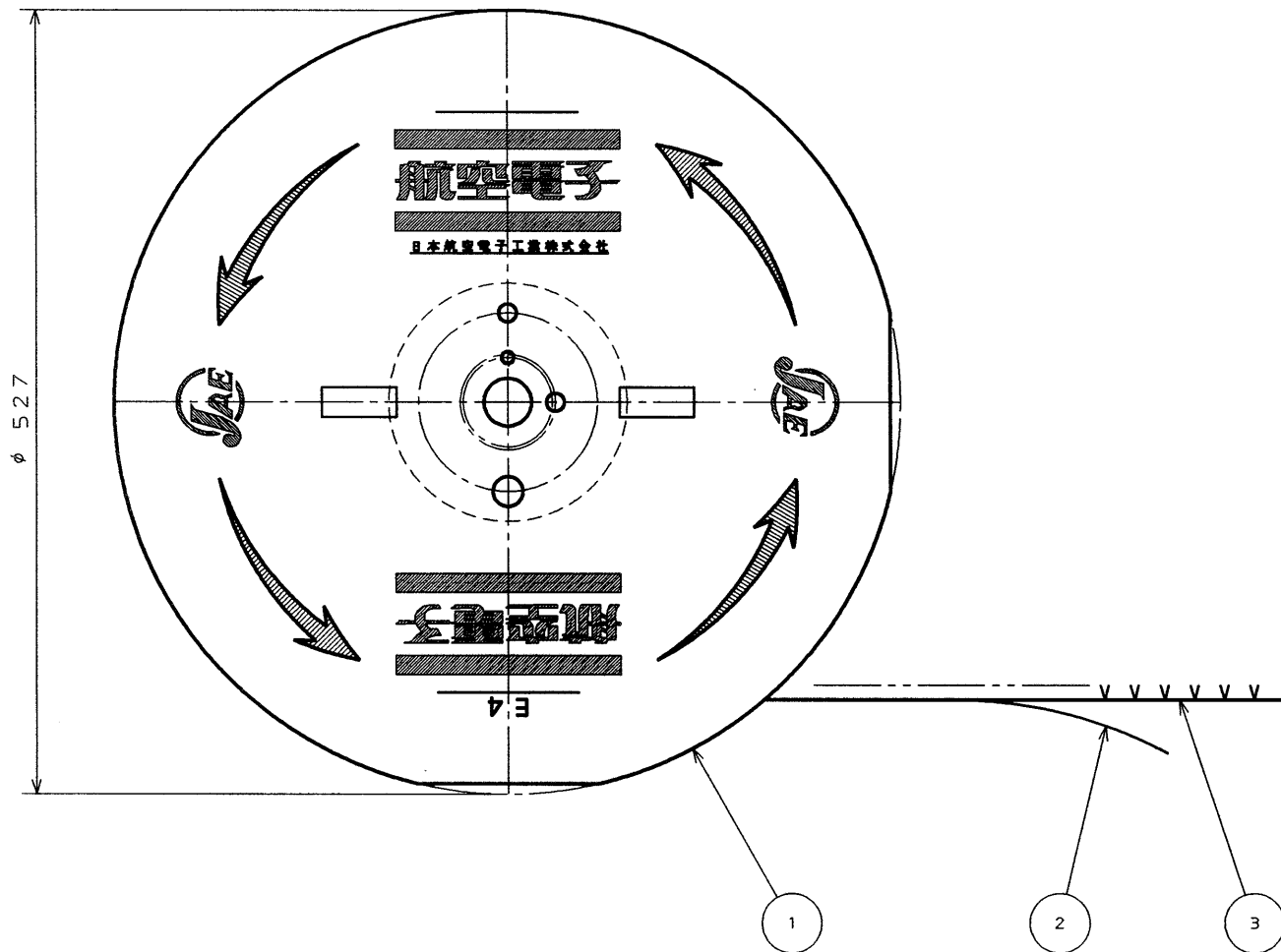


SJ026615  
(DRAWING NO.)

SYM. 版数	DCN NO.	DESCRIPTION 変更内容	DATE 年月日	DRAWN 製図	CHECKED 担当	APP'D 査閲	APP'D 承認
2	30734	REVISED CABLE SIZE	9. Jul '92		M. SUZUKI K. HAYASHI	M. SUZUKI	H. FUJINO
3	37177	REDRAWN	14. Dec '95	M. OOWA	I. IGARASHI	M. SUZUKI	T. MORINO
4	39836	ADDED DIMENSION	2. Apr '97		I. IGARASHI T. KUDOU	M. Suzuki	T. Morino



EXCLUDING CRIMP POT  
クリンプポット部を除く



NOTE 1. APPLICABLE WIRE : #22~#26 AWG. STRANDED.  
INSULATION OUTER DIA. :  $\phi 1.0 \sim \phi 2.25$ .

2. NO PLATING ON THE SEARING AREAS.

1. 使用電線はAWG#22~#26の撚線とし、被覆外径は $\phi 1.0 \sim \phi 2.25$ とする。
2. 剪断面に、メッキは付かない。

3	SOCKET CONTACT	7000	PHOSPHOR BRONZE	TIN PLATING	TIN PLATING 1 $\mu$ m min.
2	PAPER TAPE	1	PAPER		
1	MAGAGINE	1	PAPER		
ITEM 符号	DESCRIPTION 名称	Q'TY 個数	MATERIAL 材料	FINISH 仕上	REMARKS 備考
仕様書(REFERENCE DOCUMENT)		第1版(DATE) 22. Jan. '92		尺度(SCALE) 1:5	
公差(GENERAL TOLERANCE)		製図(DR.) H. KATOU		名称(TITLE) IL-Z-C1-A	
寸法(DIMENSION)		担当(CHK.) K. KINTAKA K. HAYASHI		数量 -7000	
. $\pm 0.3$		査閲(APP.) T. MIYASHITA		MAGAGINE ASSEMBLY	
.X $\pm 0.2$		承認(APP.) H. FUJINO		シリーズ(SERIES) IL-Z	
.XX $\pm 0.1$				図面番号(DRAWING NO.) SJ026615	
.XXX $\pm$					

THIS DRAWING CONTAINS INFORMATION THAT IS PROPRIETARY TO JAE AND SHOULD NOT BE USED WITHOUT WRITTEN PERMISSION.  
本図面は日本航空電子工業(株)の所有する情報を含むもので当社の許可なく複製を禁止する。

DOF-C-212A(95.08)

0 10 20 30 40 50 60 70 80 90 100

CDS-91-13019  
A3  
SIZE