



Chipsmall Limited consists of a professional team with an average of over 10 year of expertise in the distribution of electronic components. Based in Hongkong, we have already established firm and mutual-benefit business relationships with customers from,Europe,America and south Asia,supplying obsolete and hard-to-find components to meet their specific needs.

With the principle of “Quality Parts,Customers Priority,Honest Operation,and Considerate Service”,our business mainly focus on the distribution of electronic components. Line cards we deal with include Microchip,ALPS,ROHM,Xilinx,Pulse,ON,Everlight and Freescale. Main products comprise IC,Modules,Potentiometer,IC Socket,Relay,Connector.Our parts cover such applications as commercial,industrial, and automotives areas.

We are looking forward to setting up business relationship with you and hope to provide you with the best service and solution. Let us make a better world for our industry!



## Contact us

Tel: +86-755-8981 8866 Fax: +86-755-8427 6832

Email & Skype: info@chipsmall.com Web: www.chipsmall.com

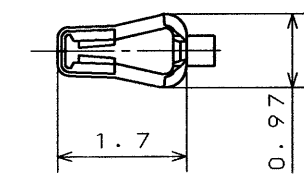
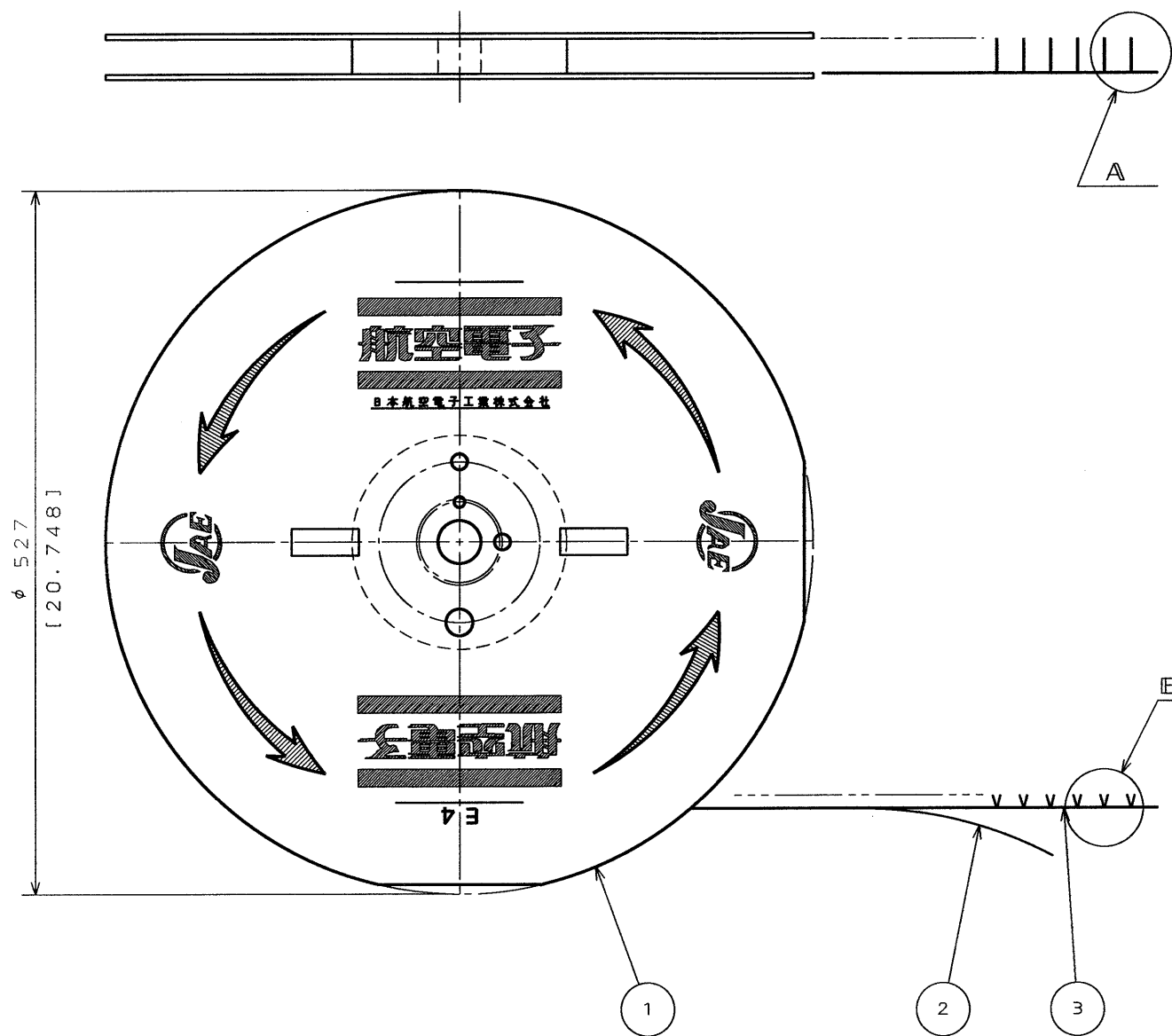
Address: A1208, Overseas Decoration Building, #122 Zhenhua RD., Futian, Shenzhen, China



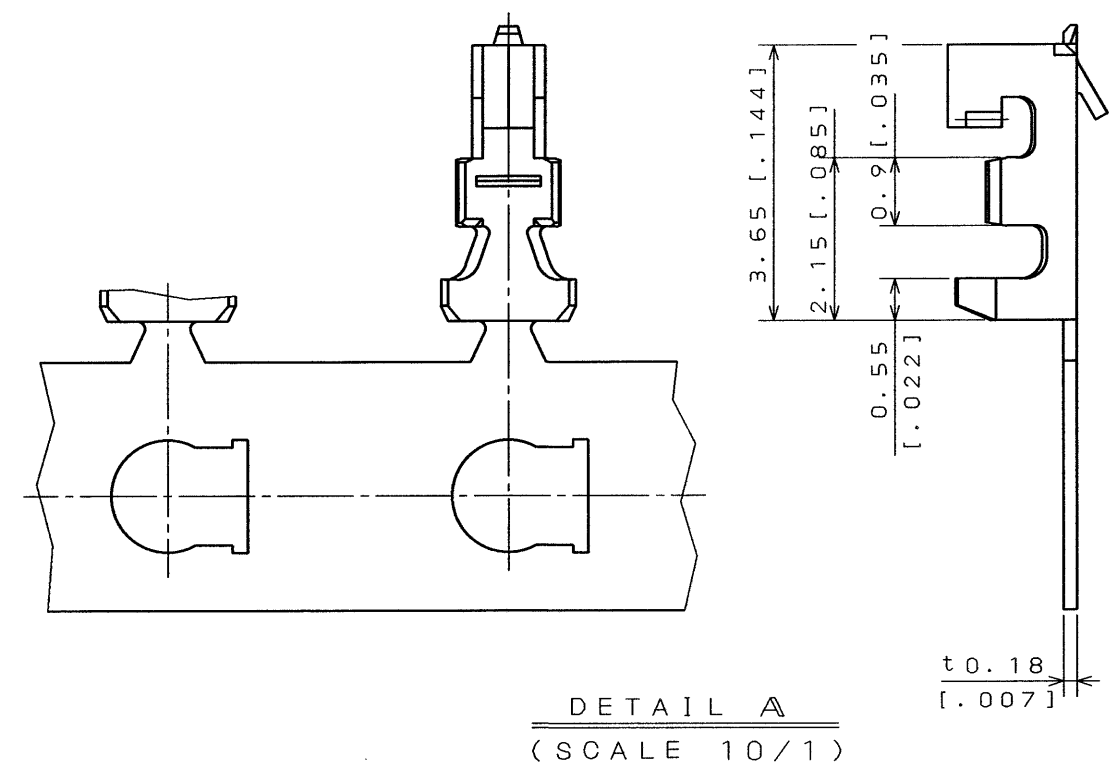
SJ025487-E

DWG. NO.

SYM.	DCN NO.	DESCRIPTION	DATE	DRAWN	CHECKED	APP'D	APP'D



EXCLUDING CRIMP POT



DETAIL A  
(SCALE 10/1)

NOTE 1. APPLICABLE WIRE : AWG#28~#32, STRANDED.  
 APPLICABLE WIRE INSULATION OUTER DIA: 0.5 [0.020] ~ 1.0 [0.039] mm.

2. APPLICABLE CRIMPING MACHINE FOR THIS  
 MAGAZINE ASS'Y IS CT350-2-ILZ.

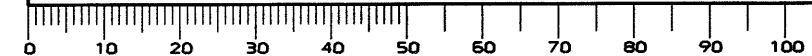
3	SOCKET CONTACT	15000	PHOSPHOR BRONZE	GOLD OVER KICKEL	Au: 0.1 μm MIN
2	PAPER TEPE	1	PAPER		
1	MAGAGINE	1	PAPER		
ITEM	DESCRIPTION	Q'TY	MATERIAL	FINISH	REMARKS

REFERENCE DOCUMENT	DATE 3 Jun. '94	SCALE 1:1	JAE-CONNECTOR.COM Reference JAE		
MATERIAL	DRAWN H. SAKURADA	TITLE IL-Z-C3-A-1 -15000 (MAGAGINE ASSEMBLY)	MUSASHINO, AKISHIMA-SHI TOKYO, JAPAN		
TREATMENT	CHECKED IGARASHI	APP'D	DWG. NO. SJ025487-E		
FINISH	APP'D <i>Tomio</i>	SERIES IL-Z			

DIMENSIONS ARE IN MILLIMETERS  
 TOLERANCES ON: (INCHES)

DIMENSION	ANGLES	CONCENTRICITY
. ±0.01 (0.12)	X° ±	WITHIN T.I.R.
.X ±0.01 (0.08)	X°X ±	
.XX ±0.11 (0.04)		
.XXX ±		

DCF-116A



CDS-90-52207

SIZE A3