



Chipsmall Limited consists of a professional team with an average of over 10 year of expertise in the distribution of electronic components. Based in Hongkong, we have already established firm and mutual-benefit business relationships with customers from,Europe,America and south Asia,supplying obsolete and hard-to-find components to meet their specific needs.

With the principle of "Quality Parts,Customers Priority,Honest Operation,and Considerate Service",our business mainly focus on the distribution of electronic components. Line cards we deal with include Microchip,ALPS,ROHM,Xilinx,Pulse,ON,Everlight and Freescale. Main products comprise IC,Modules,Potentiometer,IC Socket,Relay,Connector.Our parts cover such applications as commercial,industrial, and automotives areas.

We are looking forward to setting up business relationship with you and hope to provide you with the best service and solution. Let us make a better world for our industry!



Contact us

Tel: +86-755-8981 8866 Fax: +86-755-8427 6832

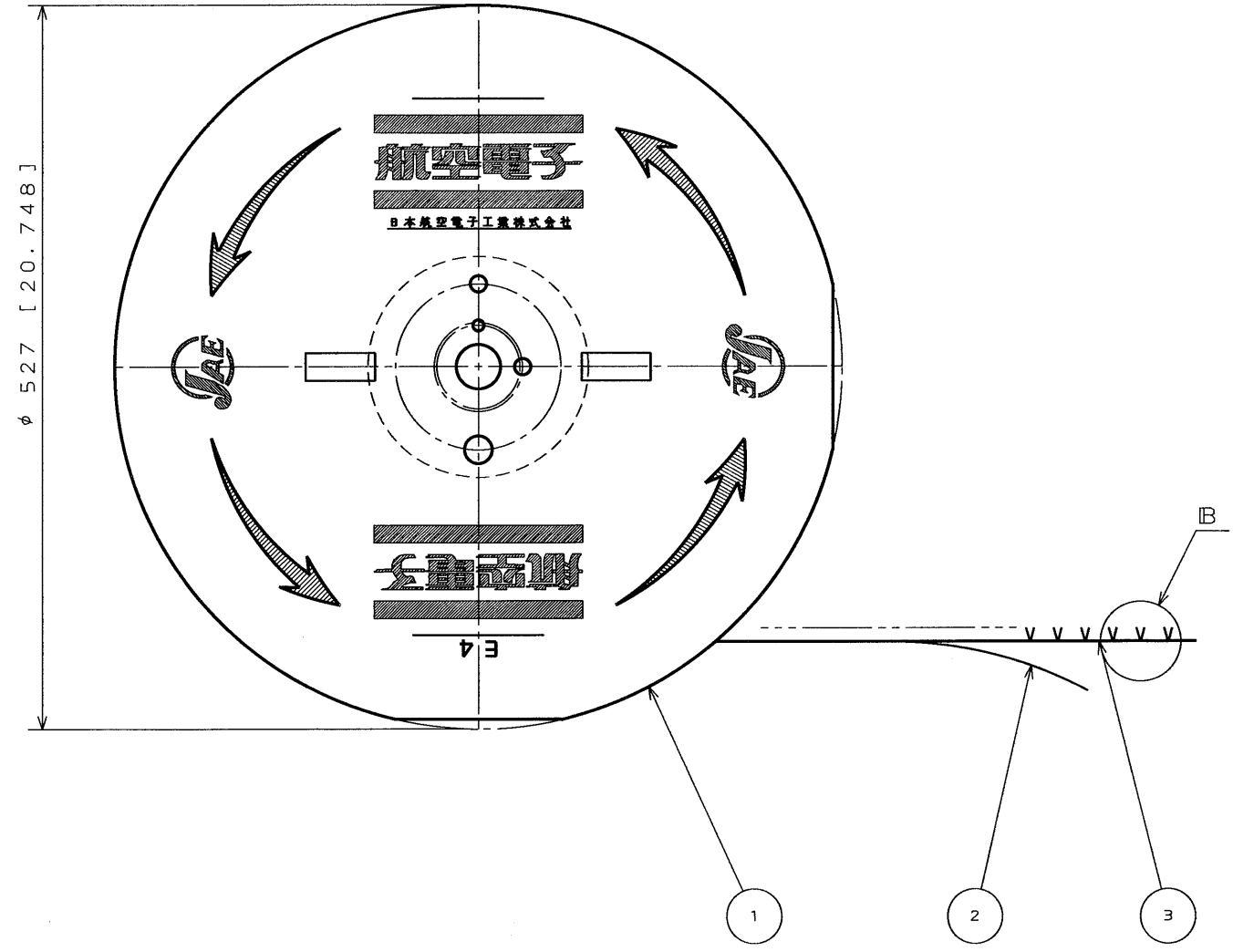
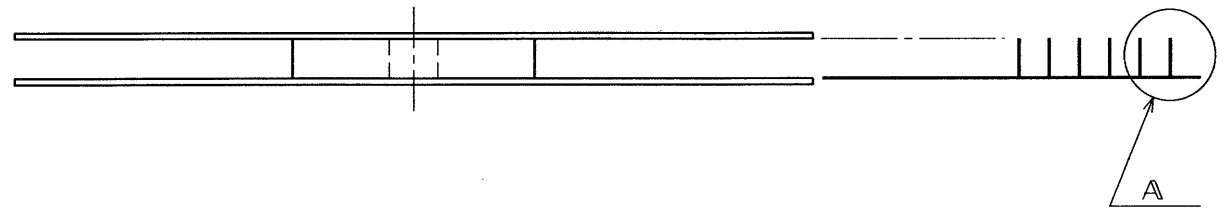
Email & Skype: info@chipsmall.com Web: www.chipsmall.com

Address: A1208, Overseas Decoration Building, #122 Zhenhua RD., Futian, Shenzhen, China

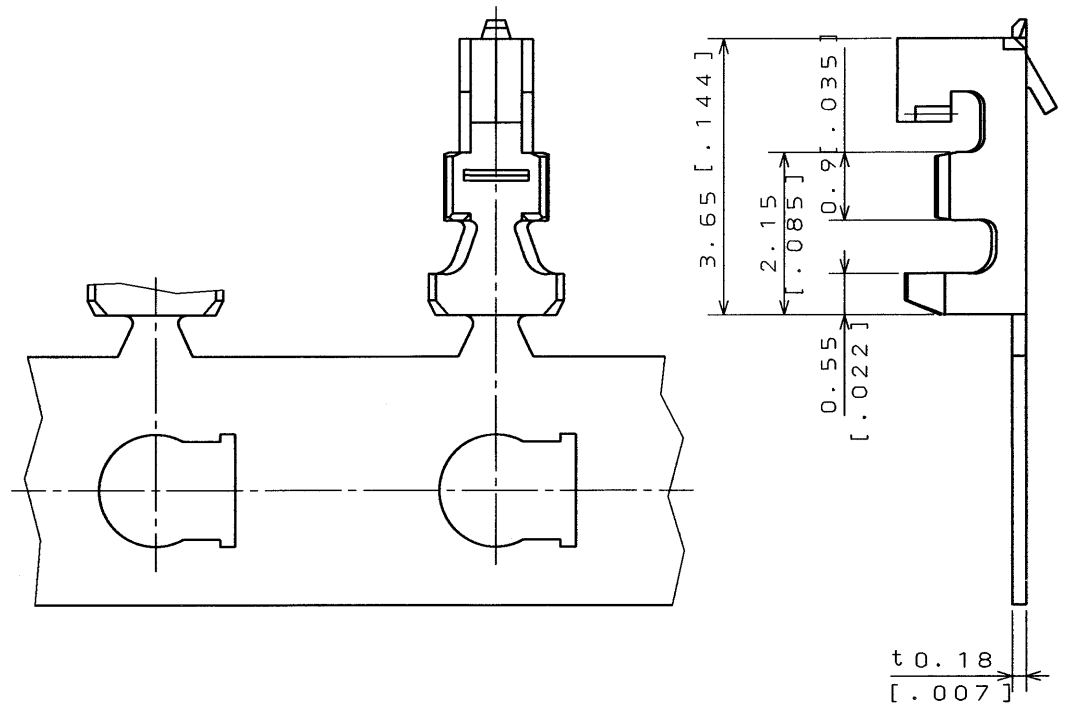
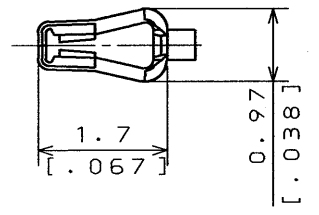


SJ023035-E
DWG. NO.

SYM.	DCN NO.	DESCRIPTION	DATE	DRAWN	CHECKED	APP'D	APP'D
2	29097	REMOVE NOTE 4	31. Jul '91	J. HAYAKAWA (G. KITADA)	M. SUZUKI	<i>H. Fujino</i>	<i>H. Fujino</i>



EXCLUDING CRIMP PORTION



DETAIL A
(SCALE 10/1)

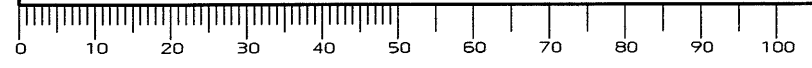
NOTE 1. APPLICABLE WIRE: AWG#28~#32 (STRANDED)
INSULATION OUTER DIA.: 0.5~1.0 [.020]~ [.039]
2. NO PLATING THE SEARING AREAS.
3. APPLICABLE CRIMPING MACHINS FOR THIS MAGAZINE ASS'Y IS CT350-2-ILZ

DIMENSIONS ARE IN MILLIMETERS TOLERANCES ON: (INCHES)	
DIMENSION	ANGLES
. ±0.31.0123	X° ±
.X ±0.21.0093	XX° ±
.XX ±0.11.0043	CONCENTRICITY
.XXX ±	WITHIN T.I.R.

3	SOCKET CONTACT	15000	PHOSPHOR BRONZE	TIN PLATING	
2	TAPE	1	PAPER		
1	MAGAZINE	1	PAPER		
ITEM	DESCRIPTION	Q'TY	MATERIAL	FINISH	REMARKS
REFERENCE DOCUMENT		DATE	SCALE	WT.	Q'TY
		B. SEP. '89			
MATERIAL		DRAWN	TITLE		
		J. HAYAKAWA	IL-Z-C3-A-15000		
TREATMENT		CHECKED	(MAGAZINE ASSEMBLY)		
FINISH		M. SUZUKI	SERIES		
		APP'D	IL-Z		
		T. MIYASHITA			
		APP'D			
		H. FUJINO			
					MUSASHINO, AKISHIMA-SHI TOKYO, JAPAN
					DWG. NO.
					SJ023035-E

JAE-CONNECTOR.COM
Reference Only

DCF-116A



SIZE A3