



Chipsmall Limited consists of a professional team with an average of over 10 year of expertise in the distribution of electronic components. Based in Hongkong, we have already established firm and mutual-benefit business relationships with customers from,Europe,America and south Asia,supplying obsolete and hard-to-find components to meet their specific needs.

With the principle of "Quality Parts,Customers Priority,Honest Operation,and Considerate Service",our business mainly focus on the distribution of electronic components. Line cards we deal with include Microchip,ALPS,ROHM,Xilinx,Pulse,ON,Everlight and Freescale. Main products comprise IC,Modules,Potentiometer,IC Socket,Relay,Connector.Our parts cover such applications as commercial,industrial, and automotives areas.

We are looking forward to setting up business relationship with you and hope to provide you with the best service and solution. Let us make a better world for our industry!



Contact us

Tel: +86-755-8981 8866 Fax: +86-755-8427 6832

Email & Skype: info@chipsmall.com Web: www.chipsmall.com

Address: A1208, Overseas Decoration Building, #122 Zhenhua RD., Futian, Shenzhen, China





ILSU series

Submersible Level Transmitter



- **Stainless steel, piezo-resistive sensor**
- **Accuracy: <0.1% FS BFSL**
- **Depth ranges from 0-48" (0-4ft) to 0-3600" (0-300ft) WG**
- **Various cable lengths**

Suitable applications

River level
Reservoir level
Tank level
Borehole level
Aquifer level
Environmental monitoring
V-notch weir flow measurement

Performance

Accuracy (Non-Linearity & Hysteresis) $\lt; \pm 0.1\% / FS (BFSL)$
Setting Errors (offsets) Zero & Full Scale, $\lt; \pm 0.5\% / FS$
Permissible Load $R_{max} = [(Voltage\ Supply - 9) / 0.02] Ohms</math>
Influence Effects Supply $\lt; 0.005\% FS / 1V$
Load 0.05% FSO / kOhm$

Input Pressure Range

Nominal Pressure, Gauge	inchWG	40	100	200	400	800	1000	4000
Permissible Overpressure	inchWG	800	800	1000	1000	1000	2000	2000

Output Signals and Supply Voltages

Wire system Output	Supply Voltage	Connection	PUR sheath
2-wire 4-20mA	9-32Vdc	+ve Supply	Wire Colours
		-ve Supply	Red
		Ground	Blue
		Cable Screen	White
			Green

The ILSU is designed for use in continuous submersion in liquids such as water, oil and other non-aggressive chemicals. The submersible uses the latest piezo-resistive media-isolated silicon sensing technology and a stainless steel diaphragm within a 316L stainless steel housing.

It offers excellent stability, repeatability and resolution, as required for use in rivers and reservoirs. This submersible level transmitter is the ideal product for reliable and repeatable hydrostatic level measurement.

The electronics incorporate a microprocessor based amplifier, requiring no adjusting and giving stable electronics.

Each device is temperature compensated, calibrated and supplied with a traceable serial number and calibration certificate.

Custom versions can be made for particular applications.

Cynergy3 Components Ltd.
7 Cobham Road
Ferndown Industrial Estate
Wimborne, Dorset BH21 7PE
Telephone +44 (0) 1202 897969
Email: sales@cynergy3.com
Web: www.cynergy3.com

ISO9001 CERTIFIED

ILSU 2015

© 2015 Cynergy3 Components, All Rights Reserved. Specifications are subject to change without prior notice. Cynergy3 Components and the Cynergy3 Components logo are trademarks of Cynergy3 Components Limited.

www.cynergy3.com



ILSU series

Submersible Level Transmitter

Electrical Protection

Supply reverse polarity protection	No damage/no function
Lightning protection	Internally fitted
Electromagnetic compatibility	CE Compliant

Mechanical Stability

Shock	100g / 11ms
Vibration	10g RMS (20 - 2000Hz)

Temperature & Thermal Effects

Media temperature	-20°C (Non-freezing) to +60°C
Storage temperature	-20°C to +70°C
Compensated temperature range	20°C±25°C
Thermal zero shift (TZS)	<±0.02%/FS/°C
Thermal span shift (TSS)	<±0.01%/°C

Material Specifications

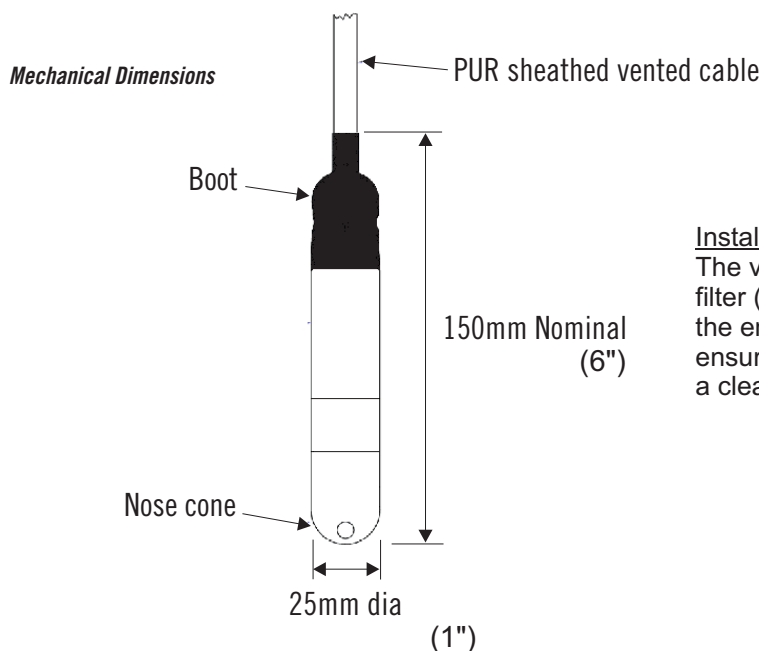
Housing	316L Stainless Steel
"O" ring seals	Viton
Diaphragm	316L Stainless Steel
Cable sheath material	PUR
Media wetted parts	Housing, "O" ring seal, diaphragm & cable sheath

Miscellaneous

Weight	Transmitter: approx 9oz (250g) Cable: 1.7oz (48g) per yard (metre)
Current consumption	Limits at 28mA
Installation position	Any, small zero shift when tilted through 90°
Operational life	> 100x 10 ⁶ cycles

Part No	Pressure Range	Cable Length	Output
ILSU-Gi048-003	0-48" WG	10ft	4-20mA
ILSU-Gi120-005	0-120" WG	16ft	4-20mA
ILSU-Gi240-008	0-240" WG	26ft	4-20mA
ILSU-Gi360-016	0-360" WG	52ft	4-20mA
ILSU-Gi720-025	0-720" WG	82ft	4-20mA
ILSU-Gi1K8-060	0-1800" WG	196ft	4-20mA
ILSU-Gi3K6-110	0-3600" WG	360ft	4-20mA

(Custom ranges and outputs available on request)



Installation Note.

The vented cable is fitted with a filter (shown below) to prevent the entry of moisture. If removed, ensure vent tube is positioned in a clean, dry area.

