



Chipsmall Limited consists of a professional team with an average of over 10 year of expertise in the distribution of electronic components. Based in Hongkong, we have already established firm and mutual-benefit business relationships with customers from,Europe,America and south Asia,supplying obsolete and hard-to-find components to meet their specific needs.

With the principle of “Quality Parts,Customers Priority,Honest Operation,and Considerate Service”,our business mainly focus on the distribution of electronic components. Line cards we deal with include Microchip,ALPS,ROHM,Xilinx,Pulse,ON,Everlight and Freescale. Main products comprise IC,Modules,Potentiometer,IC Socket,Relay,Connector.Our parts cover such applications as commercial,industrial, and automotives areas.

We are looking forward to setting up business relationship with you and hope to provide you with the best service and solution. Let us make a better world for our industry!



## Contact us

Tel: +86-755-8981 8866 Fax: +86-755-8427 6832

Email & Skype: info@chipsmall.com Web: www.chipsmall.com

Address: A1208, Overseas Decoration Building, #122 Zhenhua RD., Futian, Shenzhen, China



# CIPOS™ Micro 600V / 4A

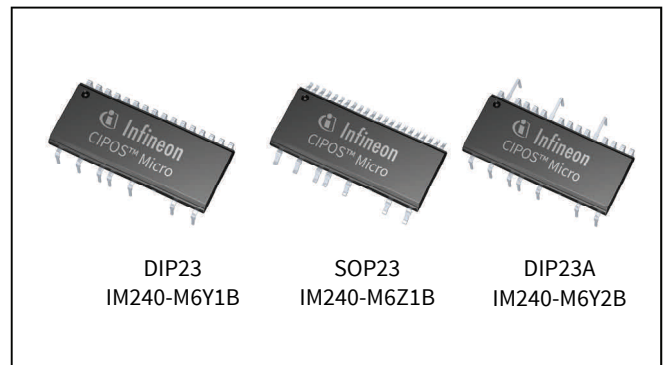
IM240-M6Z1B / IM240-M6Y1B / IM240-M6Y2B

## Description

IM240-M6 Series are 3-phase Intelligent Power Modules (IPM) designed for advanced appliance motor drive applications such as energy efficient fans and pumps. These advanced IPMs offers a combination of low  $V_{CE(sat)}$  RC-DF IGBT technology and the industry benchmark half-bridge high voltage, rugged driver in a familiar package.

## Features

- 600V 3-phase inverter including gate drivers & bootstrap function
- Low 2.3V  $V_{CE(sat)}$  (typ, 25°C, 4A) RC-DF IGBT
- UL Certified Temperature Sense (NTC)
- Advanced input filter with shoot-through protection
- Optimized  $dV/dt$  for loss and EMI trade offs
- Open-emitter for single and leg-shunt current sensing
- 3.3V logic compatible
- Driver tolerant to negative voltage (-Vs)
- Undervoltage lockout for all channels
- Isolation 1900VRMS, 1min



## Potential Applications

- Air-conditioner fans
- Refrigerator compressors
- Ventilation fans & blower fans
- Low power motor drives

## Product validation

Qualified for industrial applications according to the relevant tests of JEDEC47/20/22.

**Table1 Part Ordering Table**

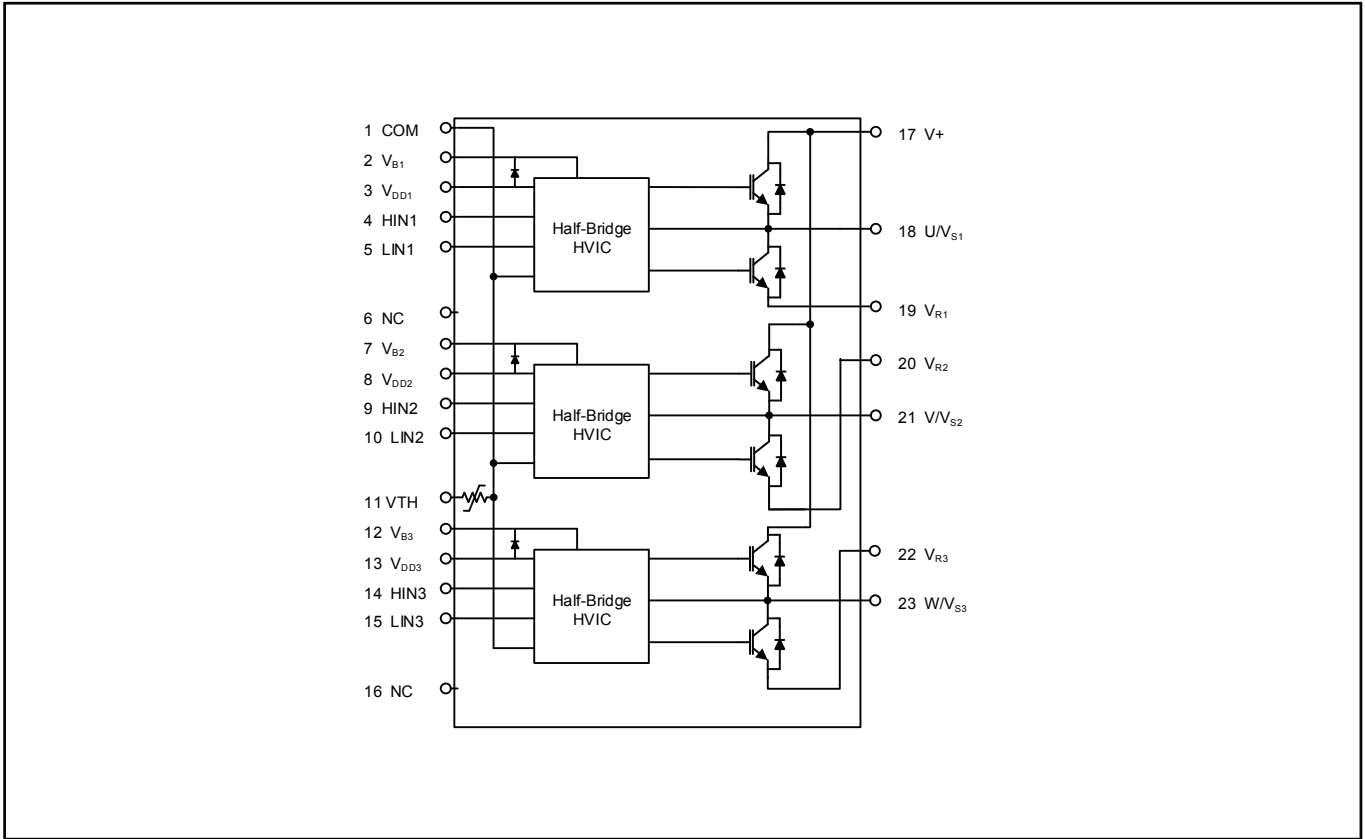
Base part number	Package Type	Standard Pack		Orderable Part Number
		Form	Quantity	
IM240-M6 Series	DIP23	Tube	240	IM240-M6Y1B
	DIP23A	Tube	240	IM240-M6Y2B
	SOP23	Tube	240	IM240-M6Z1B

**Table of Contents**

**Table of Contents**

<b>Description .....</b>	<b>1</b>
<b>Features .....</b>	<b>1</b>
<b>Potential Applications .....</b>	<b>1</b>
<b>Product validation .....</b>	<b>1</b>
<b>Table of Contents .....</b>	<b>2</b>
<b>1 Internal Electrical Schematic .....</b>	<b>3</b>
<b>2 Pin Configuration .....</b>	<b>4</b>
2.1 Pin Assignment .....	4
2.2 Pin Descriptions .....	5
<b>3 Absolute Maximum Rating .....</b>	<b>7</b>
3.1 Module .....	7
3.2 Inverter .....	7
3.3 Control .....	7
<b>4 Thermal Characteristics .....</b>	<b>8</b>
<b>5 Recommended Operating Conditions .....</b>	<b>9</b>
<b>6 Static Parameters .....</b>	<b>10</b>
6.1 Inverter .....	10
6.2 Control .....	10
<b>7 Dynamic Parameters .....</b>	<b>11</b>
7.1 Inverter .....	11
7.2 Control .....	11
<b>8 Thermistor Characteristics .....</b>	<b>12</b>
<b>9 Mechanical Characteristics and Ratings .....</b>	<b>13</b>
<b>10 Qualification Information .....</b>	<b>14</b>
<b>11 Diagrams &amp; Tables .....</b>	<b>15</b>
11.1 T <sub>c</sub> Measurement Point .....	15
11.2 Backside Curvature Measurement Points .....	15
11.3 Input-Output Logic Table .....	16
11.4 Switching Time Definitions .....	17
<b>12 Application Notes .....</b>	<b>18</b>
12.1 Typical Application Schematic .....	18
12.2 Performance Charts .....	18
12.3 T <sub>J</sub> vs T <sub>TH</sub> .....	19
12.4 -V <sub>S</sub> Immunity .....	19
<b>13 Package Outline .....</b>	<b>20</b>
12.1 SOP23 .....	20
12.2 DIP23A .....	21
12.3 DIP23 .....	22
<b>Revision History .....</b>	<b>23</b>

# 1 Internal Electrical Schematic



**Figure 1** Internal electrical schematic

## 2 Pin Configuration

### 2.1 Pin Assignment

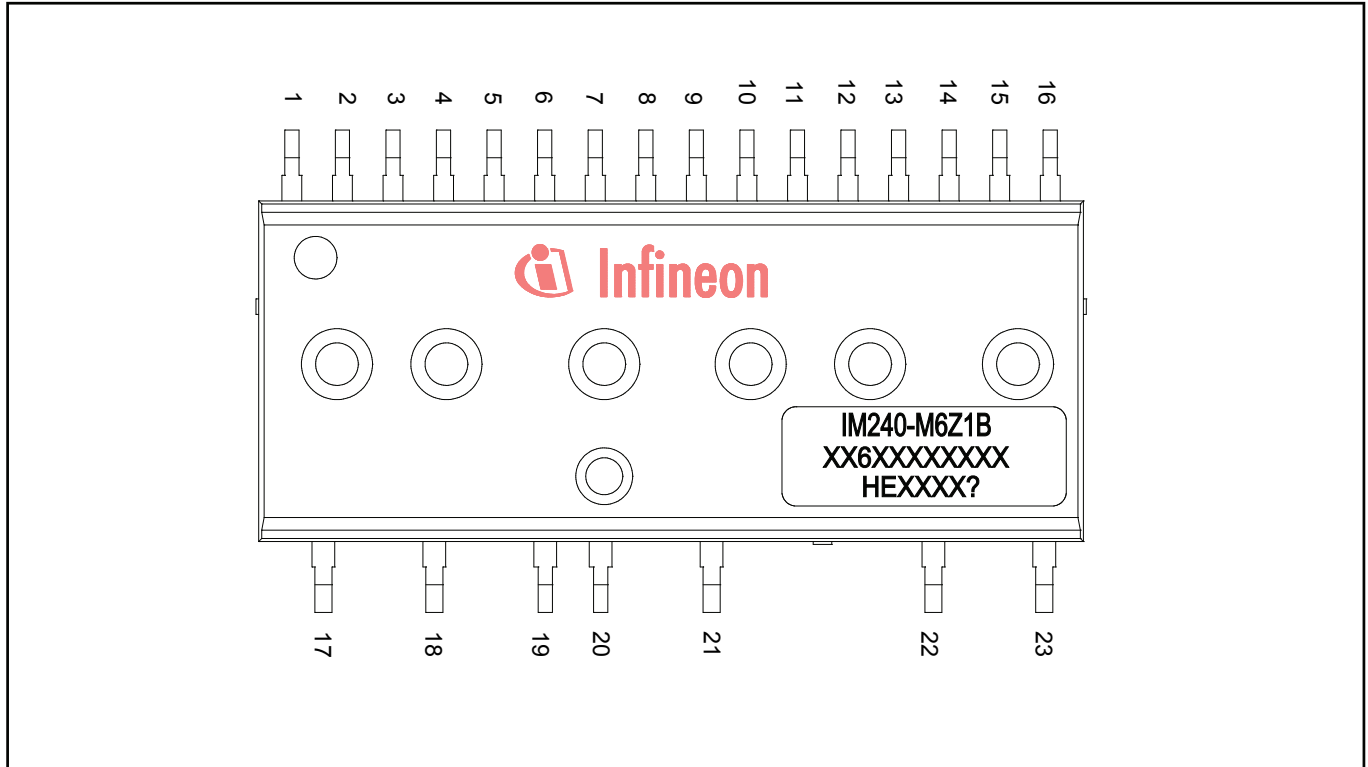


Figure 2 Module pinout

Table 2 Pin Assignment

Pin	Name	Description
1	COM	Logic ground
2	V <sub>B1</sub>	High side floating supply voltage 1
3	V <sub>DD1</sub>	Low side control supply 1
4	HIN1	Logic Input for High Side Gate Driver - Phase 1
5	LIN1	Logic Input for Low Side Gate Driver - Phase 1
6	NC	Not connected
7	V <sub>B2</sub>	High side floating supply voltage 2
8	V <sub>DD2</sub>	Low side control supply 2
9	HIN2	Logic Input for High Side Gate Driver - Phase 2
10	LIN2	Logic Input for Low Side Gate Driver - Phase 2
11	VTH	Thermistor output
12	V <sub>B3</sub>	High side floating supply voltage 3
13	V <sub>DD3</sub>	Low side control supply 3
14	HIN3	Logic Input for High Side Gate Driver - Phase 3
15	LIN3	Logic Input for Low Side Gate Driver - Phase 3

**Pin Configuration**

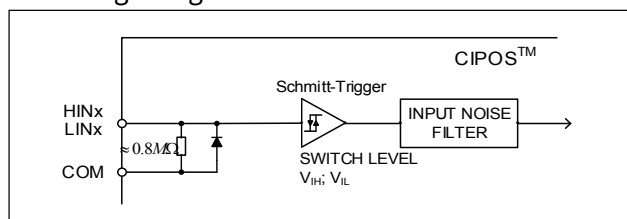
Pin	Name	Description
16	NC	Not connected
17	V+	Dc bus voltage positive
18	U/V <sub>S1</sub>	Output- phase 1, high side floating supply offset 1
19	V <sub>R1</sub>	Phase 1 low side emitter
20	V <sub>R2</sub>	Phase 2 low side emitter
21	V/V <sub>S2</sub>	Output- phase 2, high side floating supply offset 2
22	V <sub>R3</sub>	Phase 3 low side emitter
23	W/V <sub>S3</sub>	Output- phase 3, high side floating supply offset 3

## 2.2 Pin Descriptions

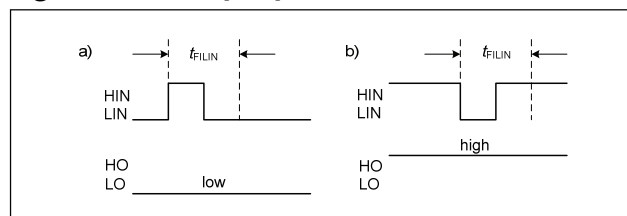
### HIN(1,2,3) and LIN(1,2,3) (Low side and high side control pins)

These pins are positive logic and they are responsible for the control of the integrated IGBT. The Schmitt-trigger input thresholds of them are such to guarantee LSTTL and CMOS compatibility down to 3.3V controller outputs. Pull-down resistor of about 800kΩ is internally provided to pre-bias inputs during supply start-up and an ESD diode is provided for pin protection purposes. Input Schmitt-trigger and noise filter provide beneficial noise rejection to short input pulses.

The noise filter suppresses control pulses which are below the filter time  $T_{FILIN}$ . The filter acts according to Figure 4.



**Figure 3** Input pin structure



**Figure 4** Input filter timing diagram

The integrated gate drive provides additionally a shoot through prevention capability which avoids the simultaneous on-state of the high-side and low-side switch of the same inverter phase. A minimum dead time insertion of typically 300ns is also provided by driver IC, in order to reduce cross-conduction of the external power switches.

### V<sub>DD,COM</sub> (Low side control supply and reference)

V<sub>DD</sub> is the control supply and it provides power both to input logic and to output power stage. Input logic is referenced to COM ground.

The under-voltage circuit enables the device to operate at power on when a supply voltage of at least a typical voltage of  $V_{DDUV+} = 11.1V$  is present.

The IC shuts down all the gate drivers power outputs, when the VDD supply voltage is below  $V_{DDUV-} = 10.9V$ . This prevents the external power switches from critically low gate voltage levels during on-state and therefore from excessive power dissipation.

### V<sub>B(1,2,3)</sub> and V<sub>S(1,2,3)</sub> (High side supplies)

V<sub>B</sub> to V<sub>S</sub> is the high side supply voltage. The high side circuit can float with respect to COM following the external high side power device emitter voltage.

Due to the low power consumption, the floating driver stage is supplied by integrated bootstrap circuit.

The under-voltage detection operates with a rising supply threshold of typical  $V_{BSUV+} = 11.1V$  and a falling threshold of  $V_{BSUV-} = 10.9V$ .

V<sub>S(1,2,3)</sub> provide a high robustness against negative voltage in respect of COM. This ensures very stable designs even under rough conditions.

### V<sub>R(1,2,3)</sub> (Low side emitters)

The low side emitters are available for current measurements of each phase leg. It is recommended to keep the connection to pin COM as short as possible in order to avoid unnecessary inductive voltage drops.

### Pin Configuration

---

#### **VTH (Thermistor output)**

A UL certified NTC is integrated in the module with one terminal of the chip connected to COM and the other to VTH. When pulled up to a rail voltage such as VDD or 3.3V by a resistor, the VTH pin provides an analog voltage signal corresponding to the temperature of the thermistor.

#### **U/V<sub>S1</sub>, V/V<sub>S2</sub>, W/V<sub>S3</sub> (High side emitter and low side collector)**

These pins are motor U, V, W input pins.

#### **V+ (Positive bus input voltage, Pin 23)**

The high side IGBTs are connected to the bus voltage. It is noted that the bus voltage does not exceed 450V.

Absolute Maximum Rating

### 3 Absolute Maximum Rating

#### 3.1 Module

**Table 3**

Parameter	Symbol	Conditions		Units
Storage temperature	$T_{STG}$		-40 ~ 150	°C
Operating case temperature	$T_C$		-40 ~ 125	°C
Operating junction temperature	$T_J$		-40 ~ 150	°C
Isolation test voltage	$V_{ISO}$	1min, RMS, f = 60Hz	1900	V

#### 3.2 Inverter

**Table 4**

Parameter	Symbol	Conditions		Units
Max. blocking voltage	$V_{CES}/V_{RRM}$		600	V
Output current	$I_O$	$T_C = 25^\circ\text{C}$	4	A
Peak output current	$I_{OP}$	$T_C = 25^\circ\text{C}, t_p < 1\text{ms}$	8	A
Peak power dissipation per IGBT	$P_{tot}$	$T_C = 25^\circ\text{C}$	8.9	W
Short circuit withstand time	$T_{SC}$	$V_{DC} = 400\text{V}, T_J = 150^\circ\text{C}, V_{DD} = 15\text{V}$	5	$\mu\text{s}$

#### 3.3 Control

**Table 5**

Parameter	Symbol	Conditions		Units
Low side control supply voltage	$V_{DD}$		-3 ~ 20	V
Input voltage LIN, HIN	$V_{IN}$		-0.3 ~ $V_{DD}$	V
High side floating supply voltage	$V_{BS}$		-0.3 ~ 20	V



## 4 Thermal Characteristics

**Table 6**

Parameter	Symbol	Conditions	Min.	Typ.	Max.	Units
Single IGBT thermal resistance, junction-case	$R_{TH(J-C)}$	Low side V-phase IGBT (See Figure 6 for $T_C$ measurement point)	-	8.3	10.8	°C/W
Single diode thermal resistance, junction-case	$R_{TH(J-C)D}$	Low side V-phase diode (See Figure 6 for $T_C$ measurement point)	-	10.9	14.1	°C/W

## 5 Recommended Operating Conditions

**Table 7**

Parameter	Symbol	Min.	Typ.	Max.	Units
Positive DC bus input voltage	V+	-	-	450	V
Low side control supply voltage	V <sub>DD</sub>	13.5	-	16.5	V
High side floating supply voltage	V <sub>BS</sub>	12.5	-	17.5	V
Input voltage	V <sub>IN</sub>	0	-	5	V
PWM carrier frequency	F <sub>PWM</sub>	-	20	-	kHz
External dead time between HIN & LIN	DT	1	-	-	μs
Voltage between COM and V <sub>R(1,2,3)</sub>	V <sub>COMR</sub>	-5	-	5	V
Minimum input pulse width	PW <sub>IN(ON),</sub>	0.5	-	-	μs

## 6 Static Parameters

### 6.1 Inverter

$(V_{DD-COM}) = (V_B - V_S) = 15\text{ V}$ .  $T_C = 25^\circ\text{C}$  unless otherwise specified.

**Table 8**

Parameter	Symbol	Conditions	Min.	Typ.	Max.	Units
Collector-to-emitter saturation voltage	$V_{CE(sat)}$	$I_C = 1\text{A}$	-	1.35	-	V
		$I_C = 4\text{A}$	-	2.25	2.6	V
		$I_C = 4\text{A}, T_J = 150^\circ\text{C}$	-	2.3	-	V
Collector emitter leakage current	$I_{CES}$	$V_{IN} = 0\text{V}, V_+ = 600\text{V}$	-	-	40	$\mu\text{A}$
Diode forward voltage drop	$V_F$	$I_C = 1\text{A}$	-	1.42	-	V
		$I_C = 4\text{A}$	-	2.10	2.6	V
		$I_C = 4\text{A}, T_J = 150^\circ\text{C}$	-	2.05	-	V

### 6.2 Control

$(V_{DD-COM}) = (V_B - V_S) = 15\text{ V}$ .  $T_C = 25^\circ\text{C}$  unless otherwise specified. The  $V_{IN}$  and  $I_{IN}$  parameters are referenced to COM and are applicable to all six channels. The  $V_{DDUV}$  parameters are referenced to COM. The  $V_{BSUV}$  parameters are referenced to VS.

**Table 9**

Parameter	Symbol	Min.	Typ.	Max.	Units
Logic "1" input voltage (LIN, HIN)	$V_{IN,TH+}$	2.2	-	-	V
Logic "0" input voltage (LIN, HIN)	$V_{IN,TH-}$	-	-	0.8	V
$V_{DD}/V_{BS}$ supply undervoltage, positive going threshold	$V_{DD,UV+}, V_{BS,UV+}$	10.0	11.1	12.2	V
$V_{DD}/V_{BS}$ supply undervoltage, negative going threshold	$V_{DD,UV-}, V_{BS,UV-}$	9.8	10.9	12.0	V
$V_{DD}/V_{BS}$ supply undervoltage lock-out hysteresis	$V_{DDUVH}, V_{BSUVH}$	-	0.2	-	V
Quiescent $V_{BS}$ supply current	$I_{QBS}$	-	-	70	$\mu\text{A}$
Quiescent $V_{DD}$ supply current	$I_{QCC}$	-	-	3.0	mA
Input bias current $V_{IN} = 5\text{V}$ for LIN, HIN	$I_{IN+}$	-	5	20	$\mu\text{A}$
Bootstrap resistance	$R_{BS}$	-	240	-	$\Omega$

## 7 Dynamic Parameters

### 7.1 Inverter

$(V_{DD-COM}) = (V_B - V_S) = 15 \text{ V}$ .  $T_C = 25^\circ\text{C}$  unless otherwise specified

**Table 10**

Parameter	Symbol	Conditions	Min.	Typ.	Max.	Units
Input to output turn-on propagation delay	$T_{ON}$	$I_C = 1\text{A}, V_+ = 300\text{V}$	-	760	-	ns
Turn-on rise time	$T_R$		-	26	-	ns
Turn-on switching time	$T_{C(on)}$		-	160	-	ns
Input to output turn-off propagation delay	$T_{OFF}$	$I_C = 1\text{A}, V_+ = 300\text{V}$	-	880	-	ns
Turn-off fall time	$T_F$		-	120	-	ns
Turn-off switching time	$T_{C(off)}$		-	100	-	ns
Turn-on switching energy	$E_{ON}$	$I_C = 1\text{A}, V_+ = 300\text{V}, V_{DD} = 15\text{V}, L = 7\text{mH}$	-	40	-	μJ
Turn-off switching energy	$E_{OFF}$		-	15	-	
Diode reverse recovery energy	$E_{REC}$		-	7.8	-	ns
Diode reverse recovery time	$T_{RR}$		-	38	-	
Turn-on switching energy	$E_{ON}$	$I_C = 1\text{A}, V_+ = 300\text{V}, V_{DD} = 15\text{V}, L = 7\text{mH}, T_J = 150^\circ\text{C}$	-	73	-	μJ
Turn-off switching energy	$E_{OFF}$		-	29	-	
Diode reverse recovery energy	$E_{REC}$		-	26	-	ns
Diode reverse recovery time	$T_{RR}$		-	69	-	

### 7.2 Control

$(V_{DD-COM}) = (V_B - V_S) = 15 \text{ V}$ .  $T_C = 25^\circ\text{C}$  unless otherwise specified.

**Table 11**

Parameter	Symbol	Conditions	Min.	Typ.	Max.	Units
Input filter time (HIN, LIN)	$T_{FIL,IN}$	$V_{IN} = 0$ or $V_{IN} = 5\text{V}$	-	300	-	ns
Internal dead time	$DT_{IC}$	$V_{IN} = 0$ or $V_{IN} = 5\text{V}$	-	300	-	ns
Matching propagation delay time (on and off) for same	$M_T$	External dead time > 500ns	-	-	50	ns

## 8 Thermistor Characteristics

Table 12

Parameter	Symbol	Conditions	Min.	Typ.	Max.	Units
Resistance	$R_{25}$	$T_C = 25^\circ\text{C}, \pm 5\%$	44.65	47	49.35	$\text{k}\Omega$
Resistance	$R_{125}$	$T_C = 125^\circ\text{C}$	1.27	1.39	1.51	$\text{k}\Omega$
B-constant (25/100)	B	$\pm 1\%$ tolerance	-	4006	-	K
Temperature Range			-40	-	125	$^\circ\text{C}$

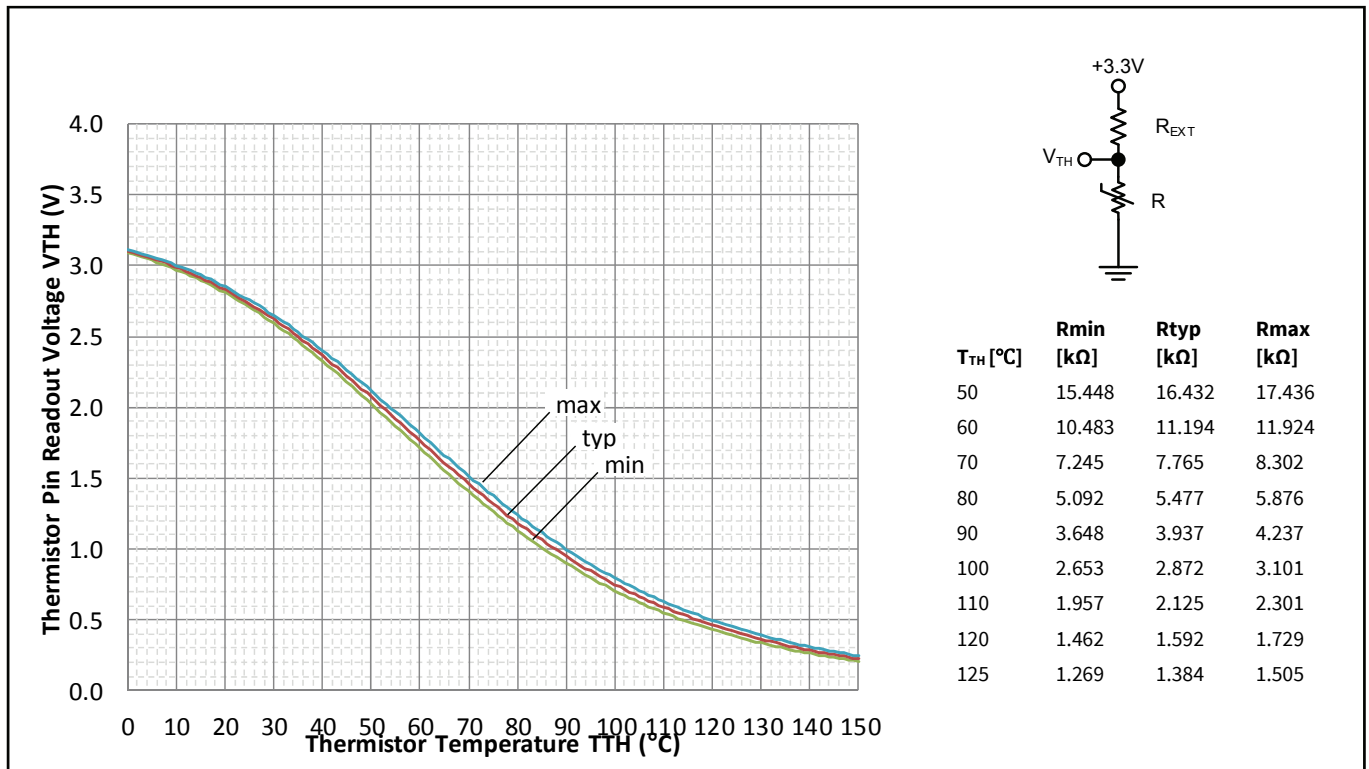


Figure 5 Thermistor resistance - temperature curve, for  $R_{EXT}=9.76\text{k}\Omega$ , and thermistor resistance variation with temperature.

## 9 Mechanical Characteristics and Ratings

**Table 13**

<b>Parameter</b>	<b>Symbol</b>	<b>Conditions</b>	<b>Min.</b>	<b>Typ.</b>	<b>Max.</b>	<b>Units</b>
Comparative Tracking Index	CTI		550	-	-	V
Curvature of module backside	BC	See Figure 6	-50	-	100	μm
Weight	W		-	3.1	-	g

## 10 Qualification Information

**Table 14**

<b>UL Certified</b>	File Number E252584 (pending)	
<b>Moisture Sensitivity Level (SOP23 only)</b>	MSL3	
<b>RoHS Compliant</b>	Yes	
<b>ESD</b>	Human Body Model	Class 2
	Charge discharge Model	Class C3

## 11 Diagram & Tables

### 11.1 Tc Measurement Point

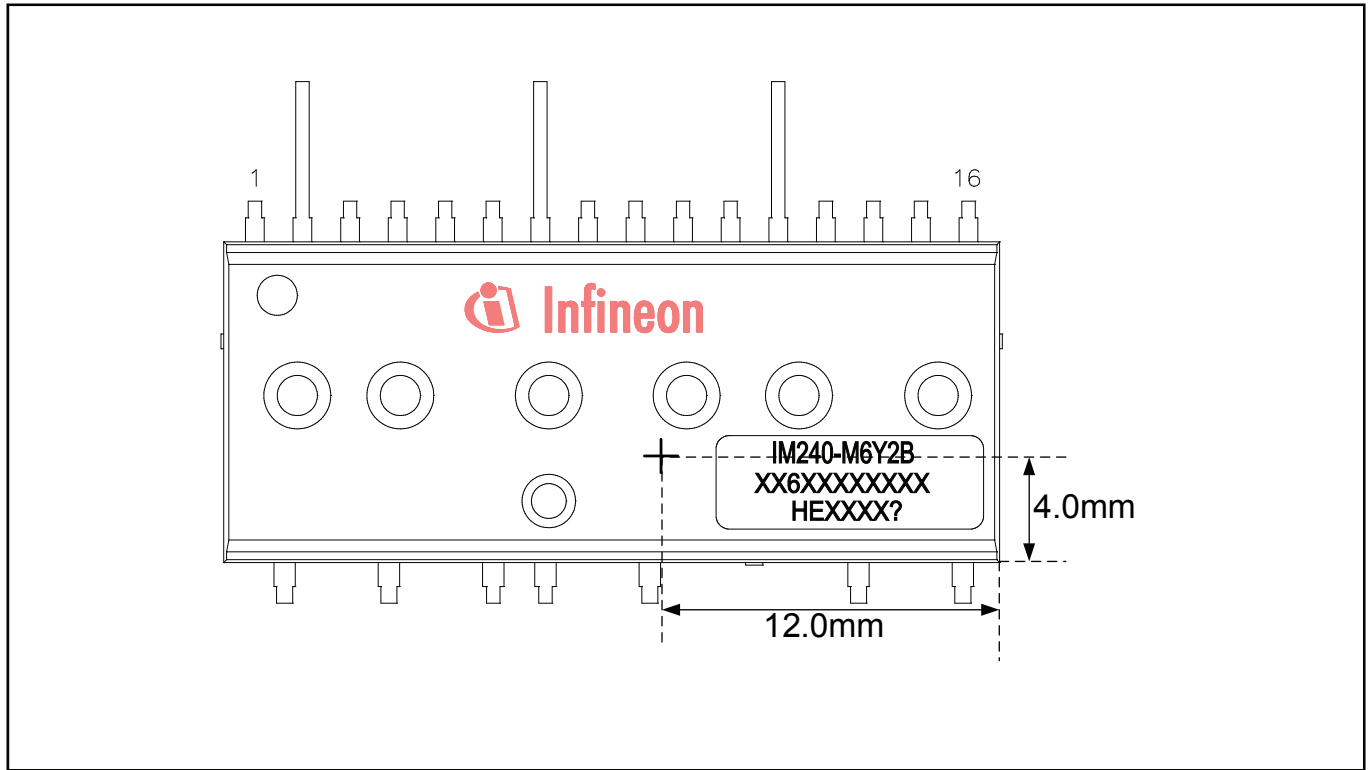


Figure 6 TC measurement point

### 11.2 Backside Curvature Measurements Points

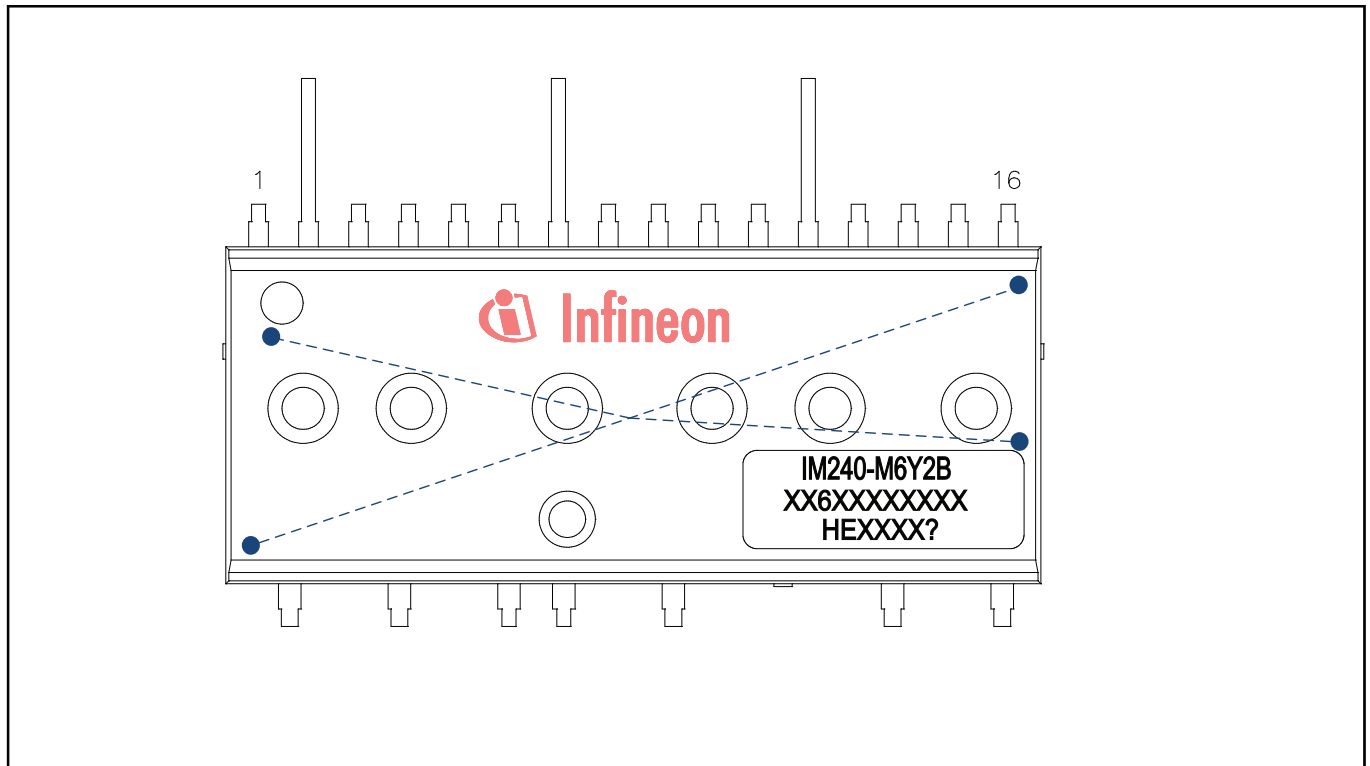
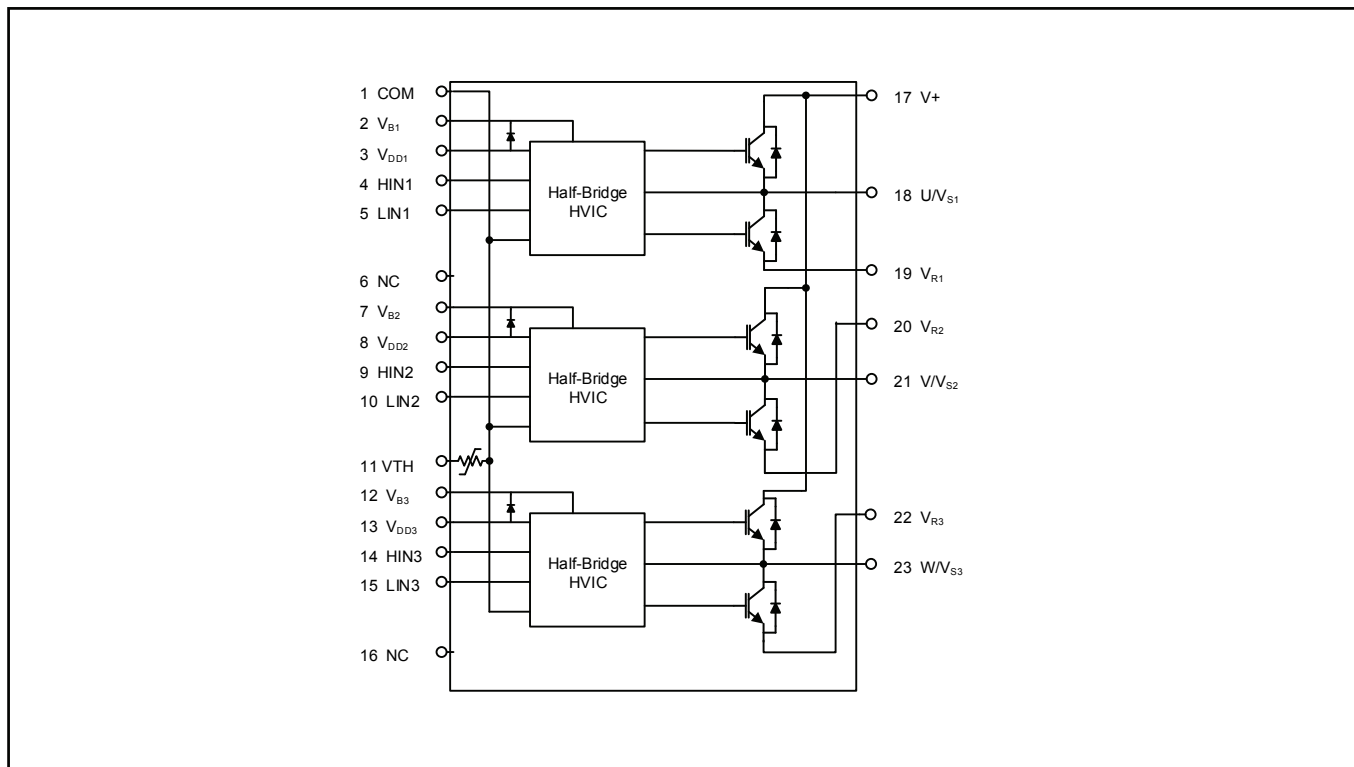


Figure 7 Curvature measurement points



### 11.3 Input-Output Logic Table



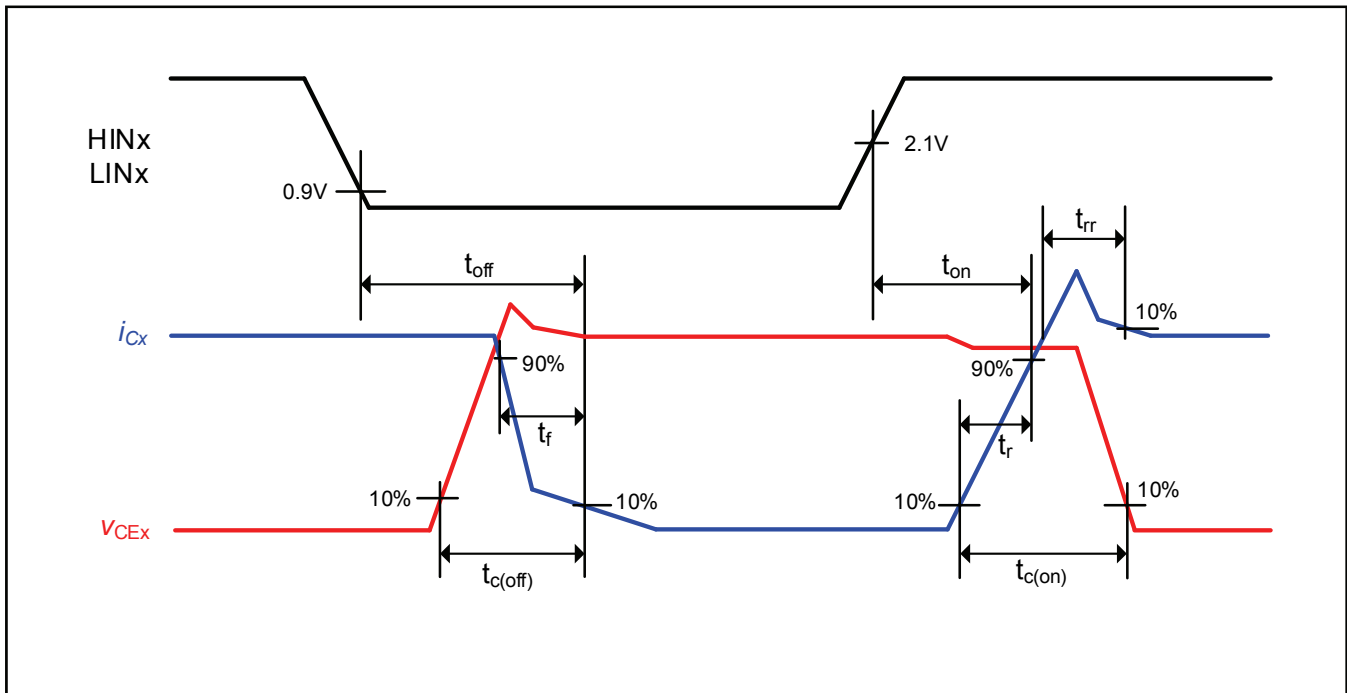
**Figure 8** Module block diagram

**Table 15**

HIN 1,2,3	LIN 1,2,3	U,V,W
1	0	V+
0	1	0
0	0	‡
1	1	‡

‡ Voltage depends on direction of phase current

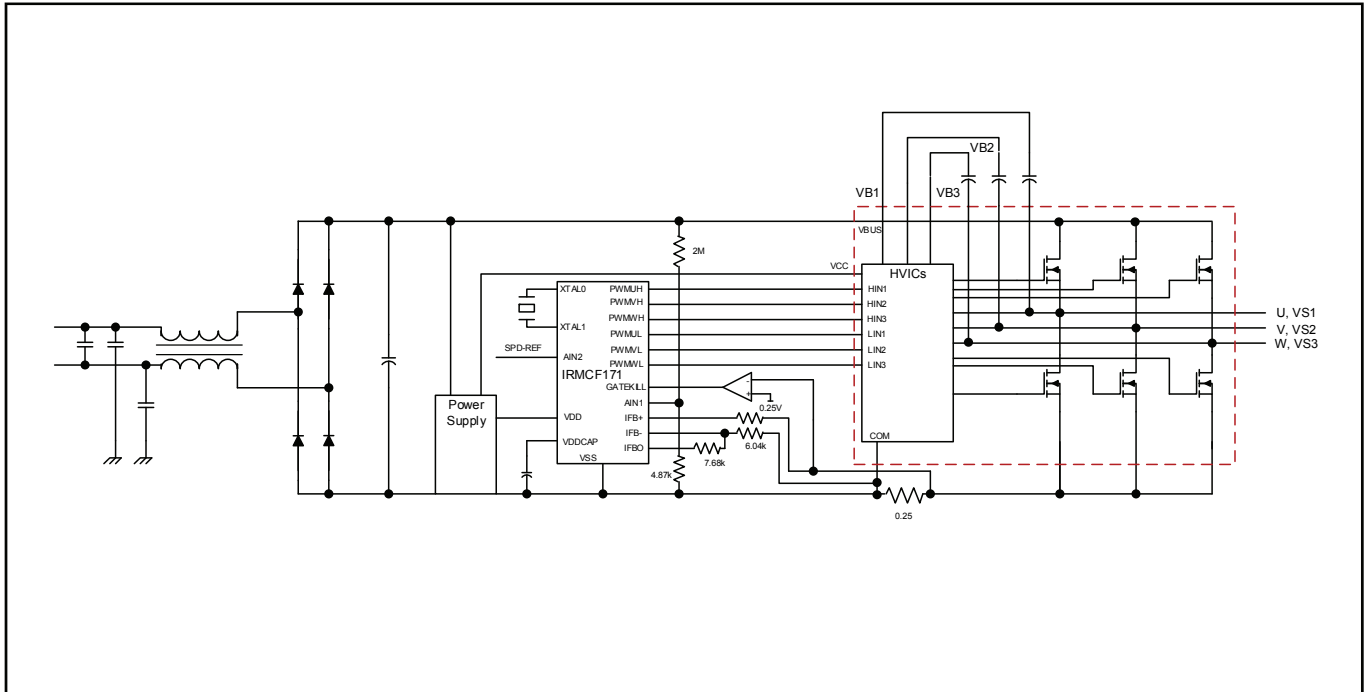
### 11.4 Switching Time Definitions



**Figure 9** Switching times definition

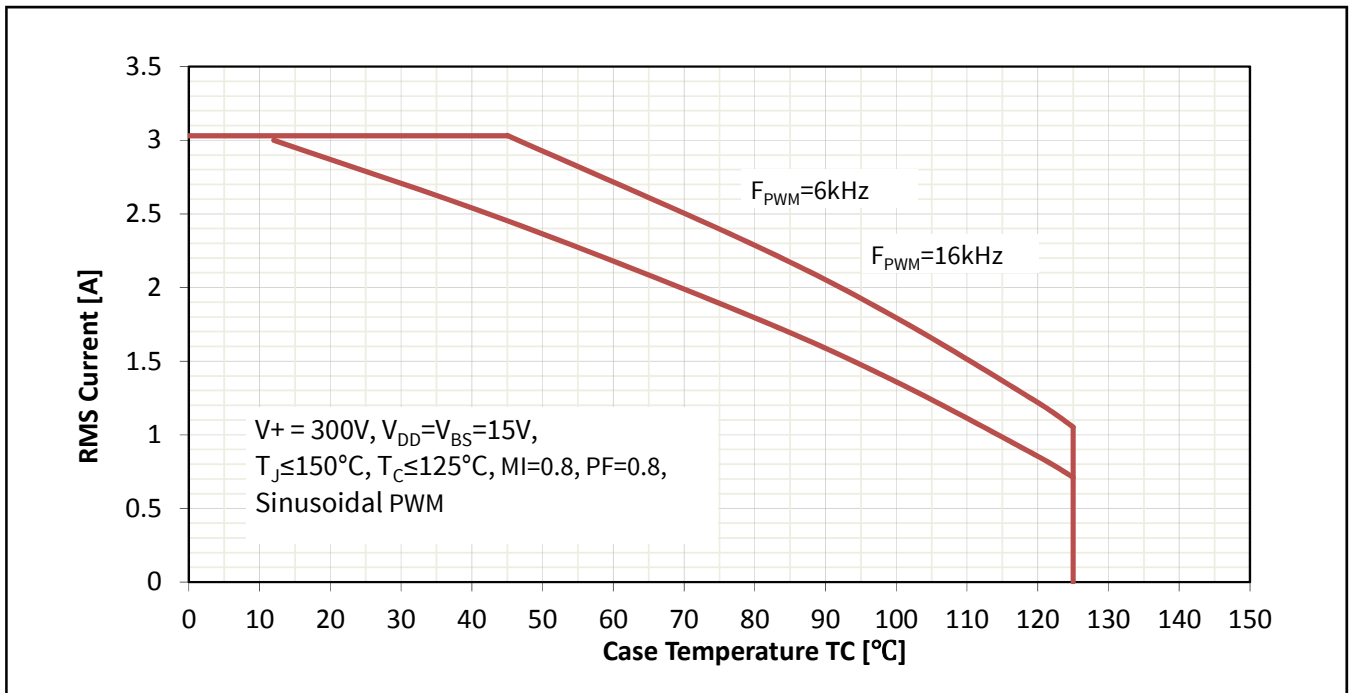
## 12 Application Guide

### 12.1 Typical Application Schematic



**Figure 10** Application Schematic

### 12.2 Performance Charts



**Figure 11** Max continuous current SOA

### 12.3 $T_J$ vs $T_{TH}$

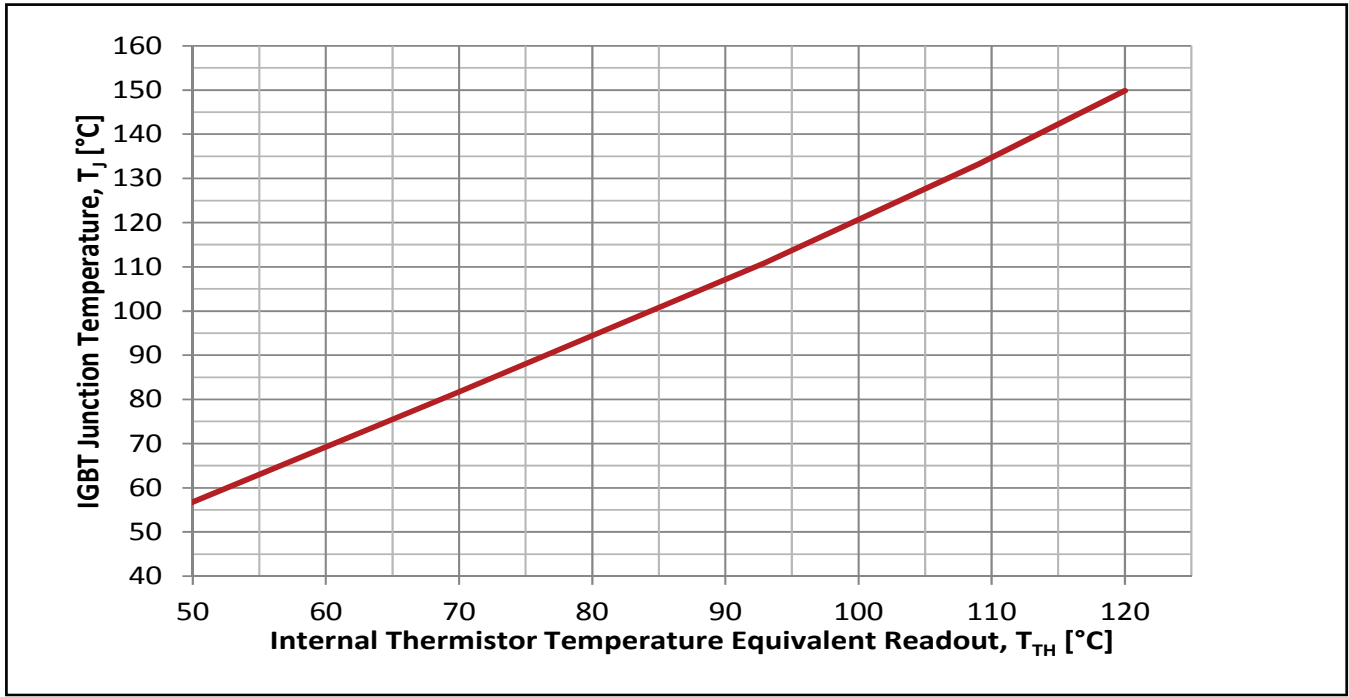


Figure 12 Typical  $T_J$  vs  $T_{TH}$  correlation

### 12.4 $-V_S$ Immunity

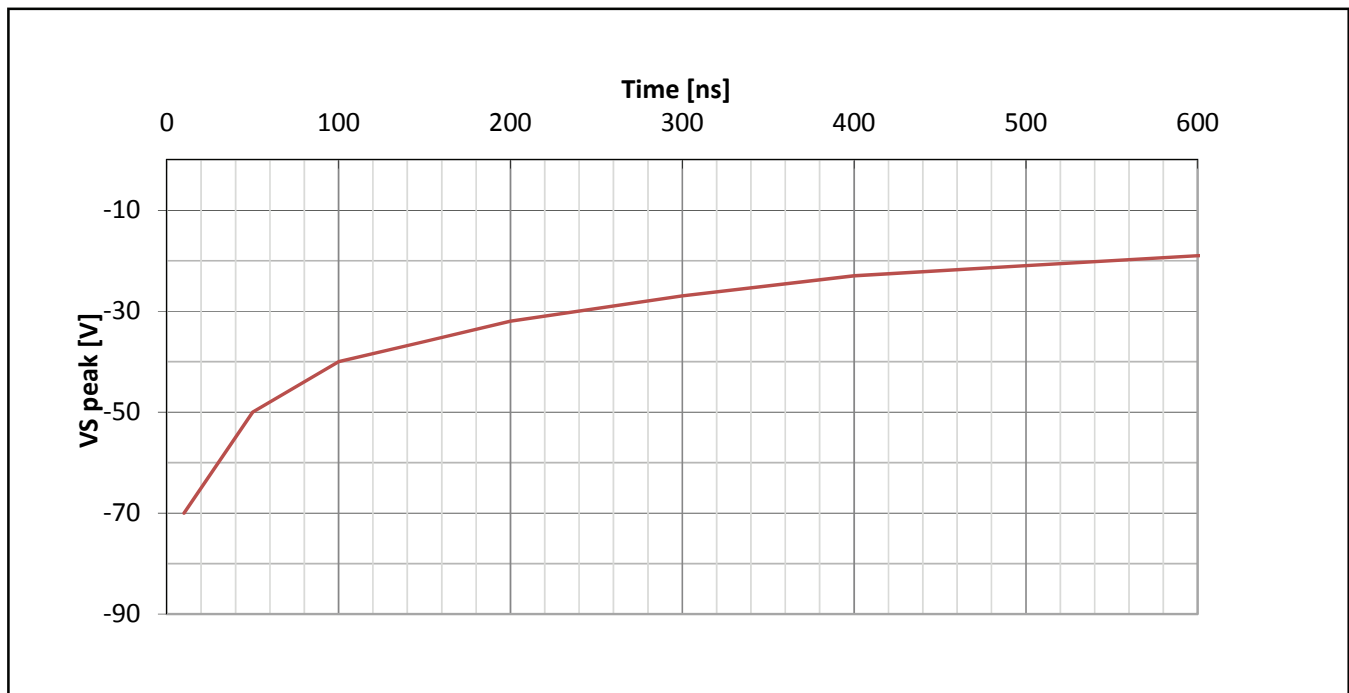
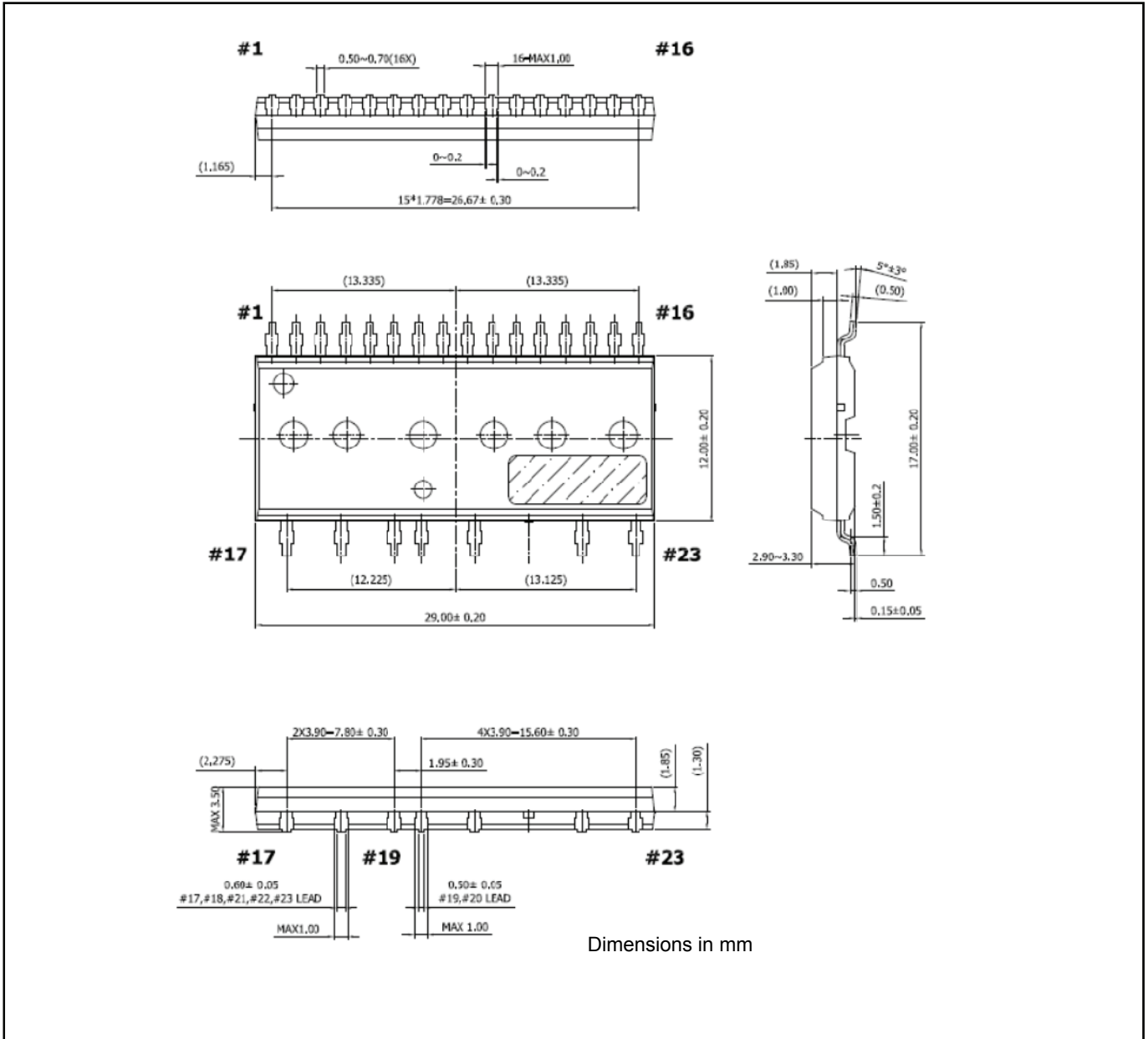


Figure 13 Negative transient  $V_S$  SOA for integrated gate driver

Package Information

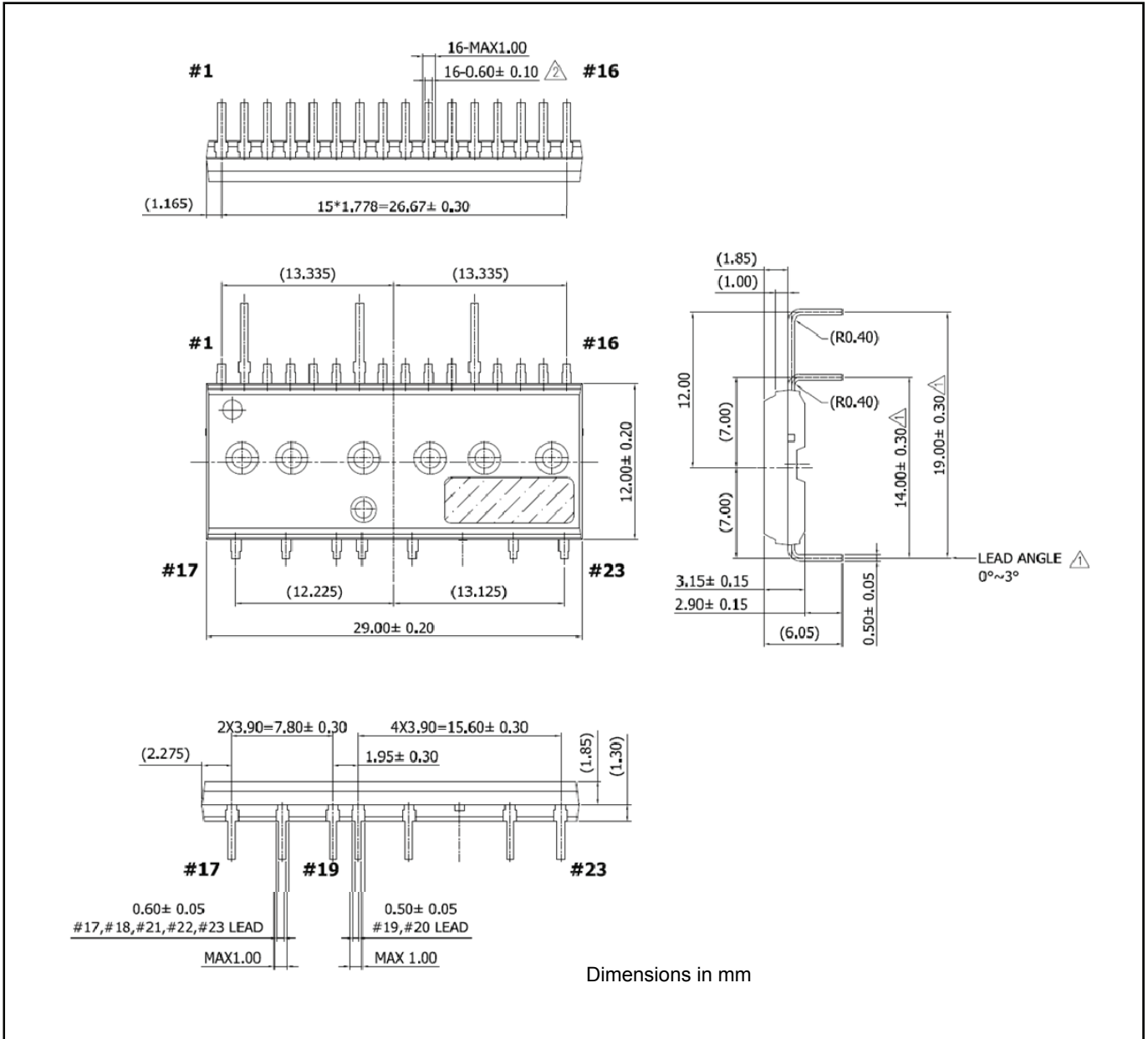
13 Package Outline

13.1 SOP23



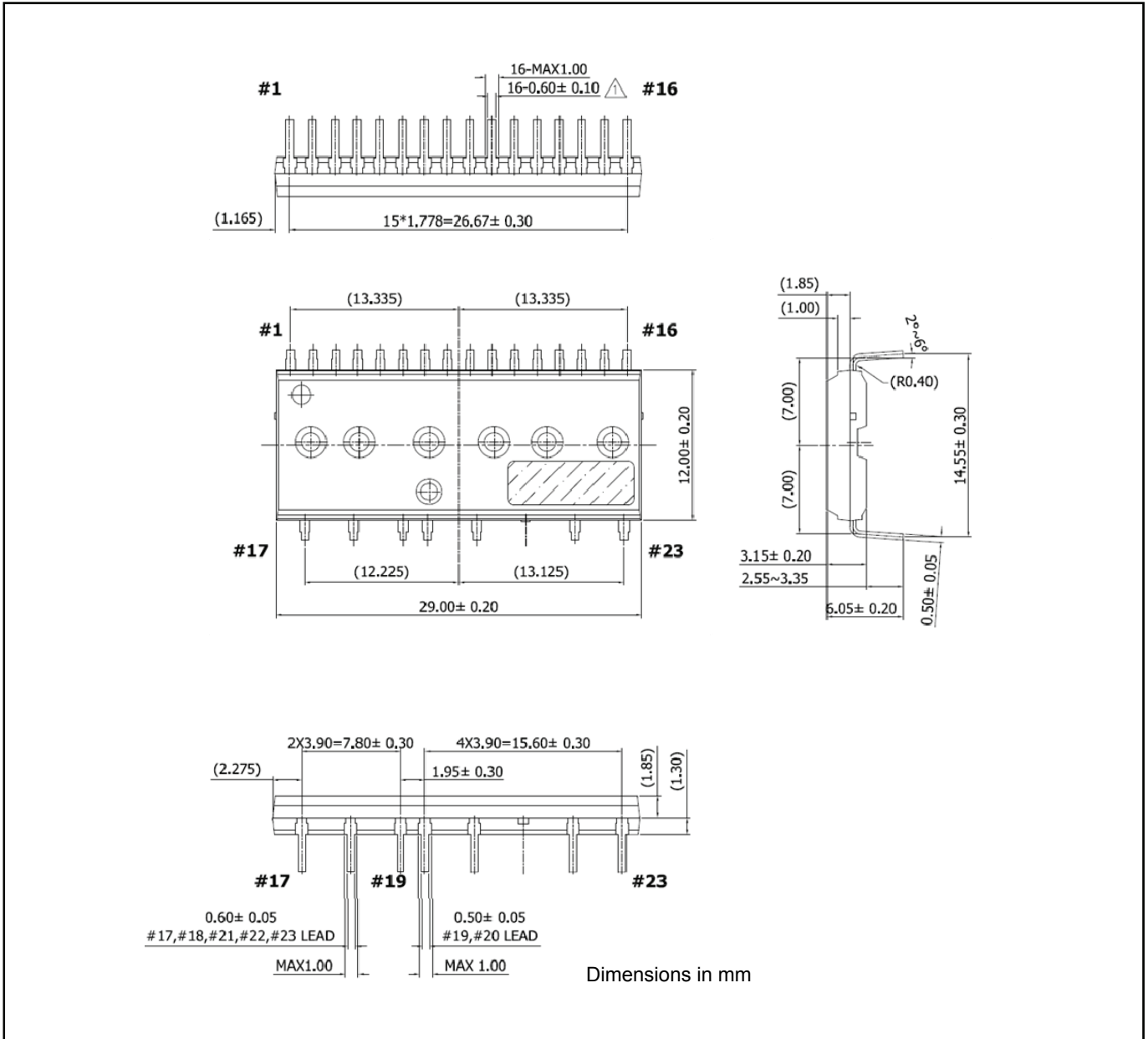
**Package Information**

**13.2 DIP23A**



**Package Information**

**13.3 DIP23**



---

**Revision History****Revision History****Major changes since the last revision**

<b>Page or Reference</b>	<b>Revision</b>	<b>Date</b>	<b>Description of changes</b>
	2.0	10/12/2017	Final Datasheet



#### Trademarks of Infineon Technologies AG

$\mu$ HVIC™,  $\mu$ IPM™,  $\mu$ PFC™, AU-ConvertIR™, AURIX™, C166™, CanPAK™, CIPOS™, CIPURSE™, CoolDP™, CoolGaN™, COOLiR™, CoolMOS™, CoolSET™, CoolSiC™, DAVE™, DI-POL™, DirectFET™, DrBlade™, EasyPiM™, EconoBRIDGE™, EconoDUAL™, EconoPACK™, EconoPiM™, EiceDRIVER™, eupec™, FCOS™, GaN-powIR™, HEXFET™, HITFET™, HybridPACK™, iMOTION™, IRAM™, ISOFACE™, IsoPACK™, LEDrivIR™, LITIX™, MIPAQ™, ModSTACK™, my-d™, NovalithIC™, OPTIGA™, OptiMOS™, ORIGATM, PowIRaudio™, PowIRStage™, PrimePACK™, PrimeSTACK™, PROFET™, PRO-SIL™, RASIC™, REAL3™, SmartLEWIS™, SOLID FLASH™, SPOC™, StrongIRFET™, SupIRBuck™, TEMPFET™, TRENCHSTOP™, TriCore™, UHVIC™, XHP™, XMC™

Trademarks updated November 2015

#### Other Trademarks

All referenced product or service names and trademarks are the property of their respective owners.

#### IMPORTANT NOTICE

**Edition 2015-05-06**  
**Published by**  
**Infineon Technologies AG**  
**81726 Munich, Germany**

**© 2016 Infineon Technologies AG.**  
**All Rights Reserved.**

**Do you have a question about this document?**

**Email: [erratum@infineon.com](mailto:erratum@infineon.com)**

#### Document reference

The information given in this document shall in no event be regarded as a guarantee of conditions or characteristics ("Beschaffenheitsgarantie").

With respect to any examples, hints or any typical values stated herein and/or any information regarding the application of the product, Infineon Technologies hereby disclaims any and all warranties and liabilities of any kind, including without limitation warranties of non-infringement of intellectual property rights of any third party.

In addition, any information given in this document is subject to customer's compliance with its obligations stated in this document and any applicable legal requirements, norms and standards concerning customer's products and any use of the product of Infineon Technologies in customer's applications.

The data contained in this document is exclusively intended for technically trained staff. It is the responsibility of customer's technical departments to evaluate the suitability of the product for the intended application and the completeness of the product information given in this document with respect to such application.

For further information on the product, technology, delivery terms and conditions and prices please contact your nearest Infineon Technologies office ([www.infineon.com](http://www.infineon.com)).

#### WARNINGS

Due to technical requirements products may contain dangerous substances. For information on the types in question please contact your nearest Infineon Technologies office.

Except as otherwise explicitly approved by Infineon Technologies in a written document signed by authorized representatives of Infineon Technologies, Infineon Technologies' products may not be used in any applications where a failure of the product or any consequences of the use thereof can reasonably be expected to result in personal injury.