



Chipsmall Limited consists of a professional team with an average of over 10 year of expertise in the distribution of electronic components. Based in Hongkong, we have already established firm and mutual-benefit business relationships with customers from,Europe,America and south Asia,supplying obsolete and hard-to-find components to meet their specific needs.

With the principle of “Quality Parts,Customers Priority,Honest Operation,and Considerate Service”,our business mainly focus on the distribution of electronic components. Line cards we deal with include Microchip,ALPS,ROHM,Xilinx,Pulse,ON,Everlight and Freescale. Main products comprise IC,Modules,Potentiometer,IC Socket,Relay,Connector.Our parts cover such applications as commercial,industrial, and automotives areas.

We are looking forward to setting up business relationship with you and hope to provide you with the best service and solution. Let us make a better world for our industry!



Contact us

Tel: +86-755-8981 8866 Fax: +86-755-8427 6832

Email & Skype: info@chipsmall.com Web: www.chipsmall.com

Address: A1208, Overseas Decoration Building, #122 Zhenhua RD., Futian, Shenzhen, China



Transistors

General purpose (dual digital transistors)

UMA1N / UMB1N / FMA1A / IMB1A / IMB5A

●Feature

1) Two DTA124E chips in a UMT or SMT package.

●Absolute maximum ratings (Ta=25°C)

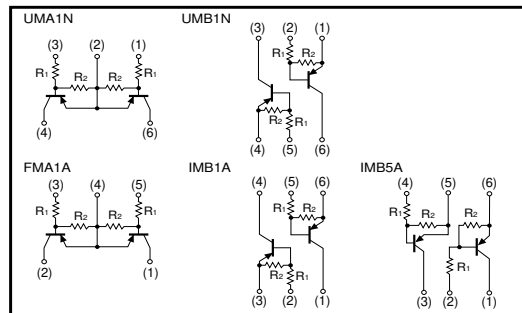
Parameter	Symbol	Limits	Unit
Supply voltage	V _{CC}	-50	V
Input voltage	V _{IN}	-40	V
		10	
Output current	I _O	-100	mA
Power dissipation	Pd	150(TOTAL)	mW *1
		300(TOTAL)	
Junction temperature	T _J	150	°C
Storage temperature	T _{stg}	-55 ~ +150	°C

*1 120mW per element must not be exceeded.
*2 200mW per element must not be exceeded.

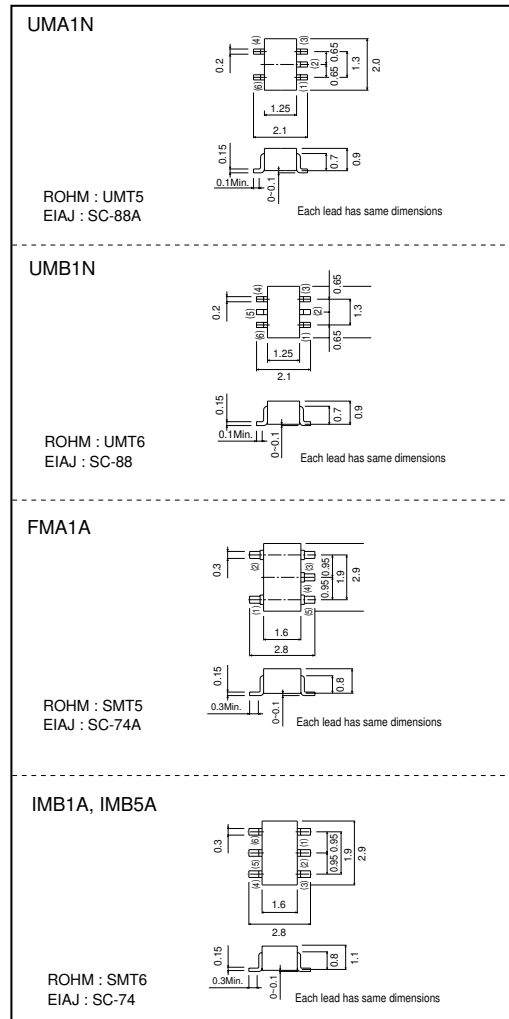
●Package, marking, and packaging specifications

Part No.	UMA1N	UMB1N	FMA1A	IMB1A	IMB5A
Package	UMT5	UMT6	SMT5	SMT6	SMT6
Marking	A1	B1	A1	B1	B5
Code	TR	TN	T148	T110	T110
Basic ordering unit (pieces)	3000	3000	3000	3000	3000

●Equivalent circuits



●External dimensions (Units : mm)



●Electrical characteristics (Ta=25°C)

Parameter	Symbol	Min.	Typ.	Max.	Unit	Conditions
Input voltage	V _{I(off)}	-	-	-0.5	V	V _{CC} = -5V, I _O = -100μA
	V _{I(on)}	-3	-	-	V	V _O = -0.2V, I _O = -5mA
Output voltage	V _{O(on)}	-	-0.1	-0.3	V	I _O /I _C = -0.5mA/-10mA
Input current	I _I	-	-	-0.36	mA	V _I = -5V
Output current	I _{O(off)}	-	-	-0.5	μA	V _{CC} = -50V, V _I = 0V
DC current gain	G _I	56	-	-	-	V _O = -5V, I _O = -5mA
Input resistance	R ₁	15.4	22	28.6	kΩ	-
Resistance ratio	R ₂ /R ₁	0.8	1	1.2	-	-