



Chipsmall Limited consists of a professional team with an average of over 10 year of expertise in the distribution of electronic components. Based in Hongkong, we have already established firm and mutual-benefit business relationships with customers from,Europe,America and south Asia,supplying obsolete and hard-to-find components to meet their specific needs.

With the principle of “Quality Parts,Customers Priority,Honest Operation,and Considerate Service”,our business mainly focus on the distribution of electronic components. Line cards we deal with include Microchip,ALPS,ROHM,Xilinx,Pulse,ON,Everlight and Freescale. Main products comprise IC,Modules,Potentiometer,IC Socket,Relay,Connector.Our parts cover such applications as commercial,industrial, and automotives areas.

We are looking forward to setting up business relationship with you and hope to provide you with the best service and solution. Let us make a better world for our industry!



## Contact us

Tel: +86-755-8981 8866 Fax: +86-755-8427 6832

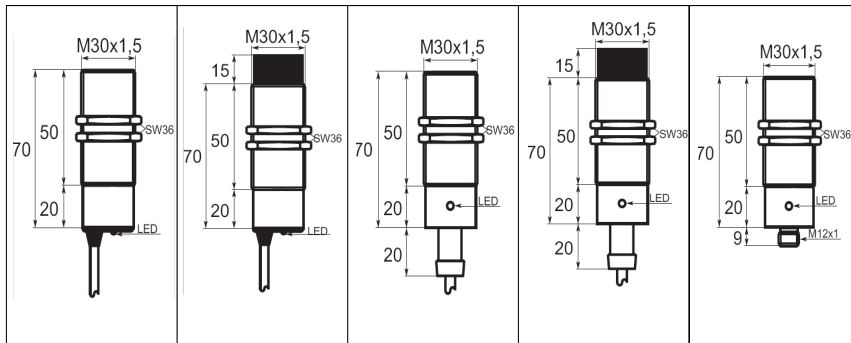
Email & Skype: info@chipsmall.com Web: www.chipsmall.com

Address: A1208, Overseas Decoration Building, #122 Zhenhua RD., Futian, Shenzhen, China



## M30 Inductive Proximity Sensors

**Standard Length  
"Mini's"  
Extended Sensing  
3 Wire DC  
2 Wire DC  
2 Wire AC**



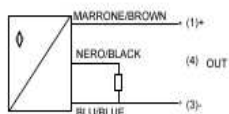
(Wiring Schematic)

3 Wire DC	PNP – Normally Open	(1)	IMM323010C	IMM353015C	IMN323010C	IMN353015C	IMN323010M12
	PNP – Normally Closed	(1)	IMM333010C	IMM363015C	IMN333010C	IMN363015C	IMN333010M12
	PNP – Selectable	(4)	IMM343010C	IMM373015C	IMN343010C	IMN373015C	IMN343010M12
	NPN – Normally Open	(2)	IMM223010C	IMM253015C	IMN223010C	IMN253015C	IMN223010M12
	NPN – Normally Closed	(2)	IMM233010C	IMM263015C	IMN233010C	IMN263015C	IMN233010M12
	NPN – Selectable	(5)	IMM243010C	IMM273015C	IMN243010C	IMN273015C	IMN243010M12
2 Wire DC	Normally Open	-	-	-	-	-	-
	Normally Closed	-	-	-	-	-	-
2 Wire AC	Normally Open	-	-	-	-	-	-
	Normally Closed	-	-	-	-	-	-

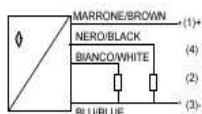
Mating cables / connectors

Form	M30 Shielded	M30 Non-Shielded	M30 Shielded	M30 Non-Shielded	M30 Shielded
Nominal Sensing Distance (Sn)	10mm	15mm	10mm	15mm	10mm
Housing Material	Nickel Plated Brass				
Termination Type	2.0 Meter Cable	2.0 Meter Cable	2.0 Meter Cable	2.0 Meter Cable	M12 Connector
Min / Max Supply Voltage	10 to 30Vdc				
Max. Load Current (I <sub>r</sub> )	200mA				
Max ripple factor (V <sub>r</sub> )	≤ 10%				
Voltage Drop (U <sub>d</sub> )	≤ 3V @ 200mA				
Power Consumption (I <sub>o</sub> )	≤ 10mA				
Switching Frequency (Hz)	200 Hz	200 Hz	200 Hz	200 Hz	200 Hz
Repeatability	< 2% nominal sensing distance				
Hysteresis	≤ 10% Sn				
Short Circuit Protection	Yes				
Output LED	Yes				
Operating Temperature	-25 to +70 C				
IP Rating	IP67 (with connector mounted)				

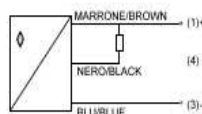
Wiring Diagram



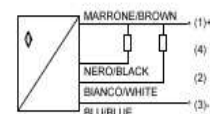
① PNP



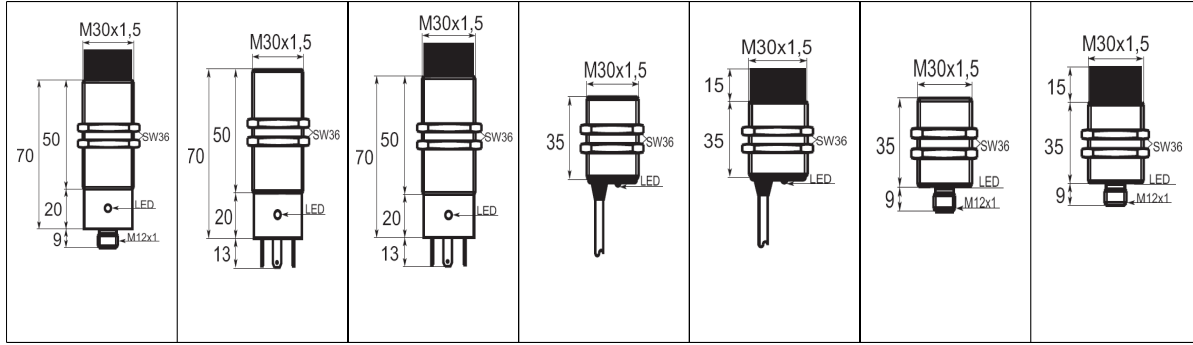
④ PNP



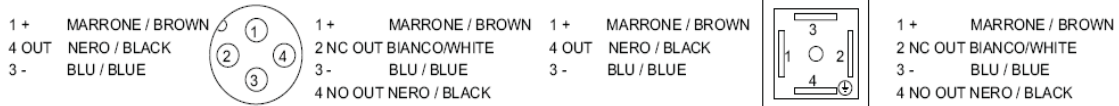
② NPN



⑤ NPN

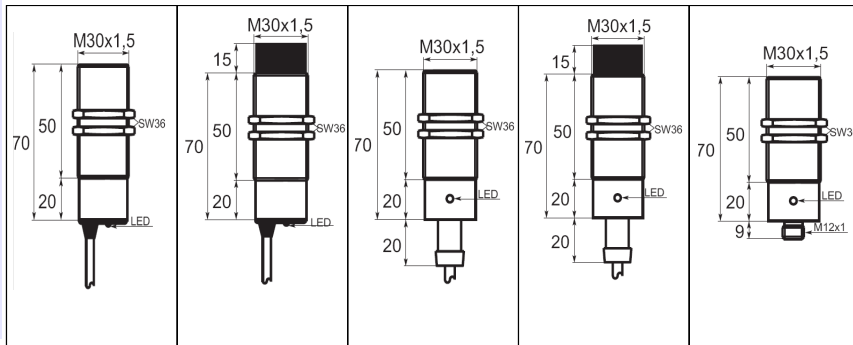


PNP – NO	IMN353015M12	IMN323010P	IMN353015P	IMC323010C	IMC353015C	IMC323010M12	IMC353015M12
PNP – NC	IMN363015M12	IMN333010P	IMN363015P	IMC333010C	IMC363015C	IMC333010M12	IMC363015M12
PNP – NO/NC	IMN373015M12	IMN343010P	IMN373015P	IMC343010C	IMC373015C	IMC343010M12	IMC373015M12
NPN – NO	IMN253015M12	IMN223010P	IMN253015P	IMC223010C	IMC253015C	IMC223010M12	IMC253015M12
NPN – NC	IMN263015M12	IMN233010P	IMN263015P	IMC233010C	IMC263015C	IMC233010M12	IMC263015M12
NPN – NO/NC	IMN273015M12	IMN243010P	IMN273015P	IMC243010C	IMC273015C	IMC243010M12	IMC273015M12
2W DC NO	-	-	-	-	-	-	-
2W DC NC	-	-	-	-	-	-	-
2W AC NO	-	-	-	-	-	-	-
2W AC NC	-	-	-	-	-	-	-
Mates							
Form	M30 Non-Shielded	M30 Shielded	M30 Non-Shielded	M30 Shielded	M30 Non-Shielded	M30 Shielded	M30 Non-Shielded
Sn	15mm	10mm	15mm	10mm	15mm	10mm	15mm
Housing	Nickel Plated Brass						
Termination	M12 Connector	Sub-Base Plug	Sub-Base Plug	2.0 Meter Cable	2.0 Meter Cable	M12 Connector	M12 Connector
Supply Vdc	10 to 30Vdc						
Max Load	200mA						
Max ripple	≤ 10%						
Ud	≤ 3V @ 200mA						
Io	≤ 10mA						
Hz	200 Hz	200 Hz	200 Hz	200 Hz	200 Hz	200 Hz	200 Hz
Repeatability	< 2% nominal sensing distance						
Hysteresis	≤ 10% Sn						
Short Protection	Yes						
LED	Yes						
Op Temp	-25 to +70 C						
IP Rating	IP67 (with connector mounted)						



## M30 Inductive Proximity Sensors

- Standard Length
- "Mini's"
- Extended Sensing
- 3 Wire DC
- 2 Wire DC
- 2 Wire AC



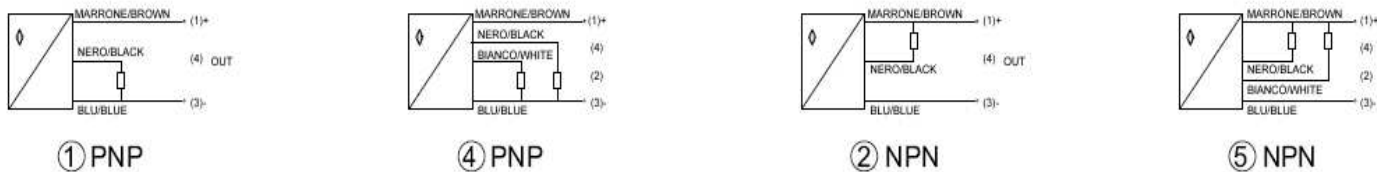
(Wiring Schematic)

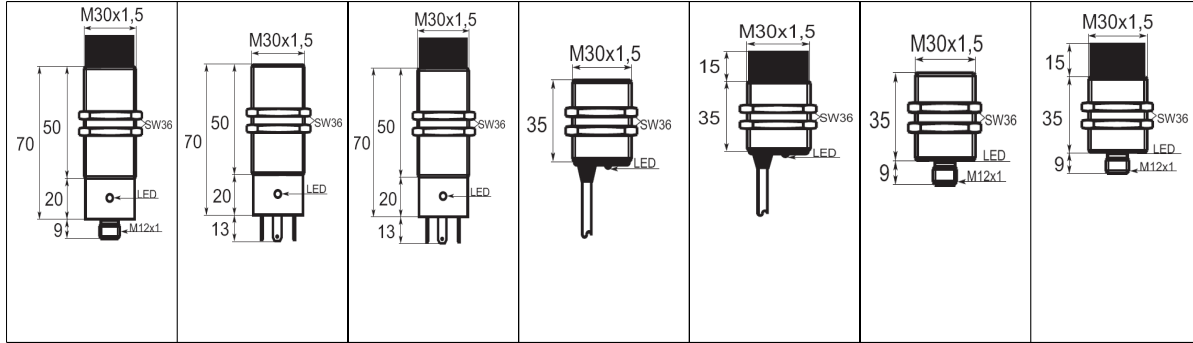
3 Wire DC	PNP – Normally Open	(1)	IMM323020C	IMM353035C	IMN323020C	IMN353035C	IMN323020M12
	PNP – Normally Closed	(1)	IMM333020C	IMM363035C	IMN333020C	IMN363035C	IMN333020M12
	PNP – Selectable	(4)	-	-	-	-	-
	NPN – Normally Open	(2)	IMM223020C	IMM253035C	IMN223020C	IMN253035C	IMN223020M12
	NPN – Normally Closed	(2)	IMM233020C	IMM263035C	IMN233020C	IMN263035C	IMN233020M12
	NPN – Selectable	(5)	-	-	-	-	-
2 Wire DC	Normally Open	-	-	-	-	-	-
	Normally Closed	-	-	-	-	-	-
2 Wire AC	Normally Open	-	-	-	-	-	-
	Normally Closed	-	-	-	-	-	-

Mating cables / connectors

Form	M30 Shielded	M30 Non-Shielded	M30 Shielded	M30 Non-Shielded	M30 Shielded
Nominal Sensing Distance (Sn)	20mm	35mm	20mm	35mm	20mm
Housing Material	Nickel Plated Brass				
Termination Type	2.0 Meter Cable	2.0 Meter Cable	2.0 Meter Cable	2.0 Meter Cable	M12 Connector
Min / Max Supply Voltage	10 to 30Vdc				
Max. Load Current (I <sub>r</sub> )	200mA				
Max ripple factor (V <sub>r</sub> )	≤ 10%				
Voltage Drop (U <sub>d</sub> )	≤ 3V @ 200mA				
Power Consumption (I <sub>o</sub> )	≤ 10mA				
Switching Frequency (Hz)	200 Hz	100 Hz	200 Hz	100 Hz	200 Hz
Repeatability	< 2% nominal sensing distance				
Hysteresis	≤ 10% Sn				
Short Circuit Protection	Yes				
Output LED	Yes				
Operating Temperature	-25 to +70 C				
IP Rating	IP67 (with connector mounted)				

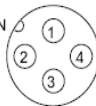
Wiring Diagram





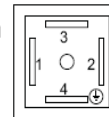
PNP – NO	IMN353035M12	IMN323020P	IMN353035P	IMC323020C	IMC353035C	IMC323020M12	IMC353035M12
PNP – NC	IMN363035M12	IMN333020P	IMN363035P	IMC333020C	IMC363035C	IMC333020M12	IMC363035M12
PNP – NO/NC	-	-	-	-	-	-	-
NPN – NO	IMN253035M12	IMN223020P	IMN253035P	IMC223020C	IMC253035C	IMC223020M12	IMC253035M12
NPN – NC	IMN263035M12	IMN233020P	IMN263035P	IMC233020C	IMC263035C	IMC233020M12	IMC263035M12
NPN – NO/NC	-	-	-	-	-	-	-
2W DC NO	-	-	-	-	-	-	-
2W DC NC	-	-	-	-	-	-	-
2W AC NO	-	-	-	-	-	-	-
2W AC NC	-	-	-	-	-	-	-
Mates							
Form	M30 Non-Shielded	M30 Shielded	M30 Non-Shielded	M30 Shielded	M30 Non-Shielded	M30 Shielded	M30 Non-Shielded
Sn	35mm	20mm	35mm	20mm	35mm	20mm	35mm
Housing	Nickel Plated Brass						
Termination	M12 Connector	Sub-Base Plug	Sub-Base Plug	2.0 Meter Cable	2.0 Meter Cable	M12 Connector	M12 Connector
Supply Vdc	10 to 30Vdc						
Max Load	200mA						
Max ripple	≤ 10%						
Ud	≤ 3V @ 200mA			≤ 1.8Vdc			
Io	≤ 10mA						
Hz	100Hz	200Hz	100Hz	200Hz	100Hz	200Hz	100Hz
Repeatability	< 2% nominal sensing distance						
Hysteresis	≤ 10% Sn						
Short Protection	Yes						
LED	Yes						
Op Temp	-25 to +70 C						
IP Rating	IP67 (with connector mounted)						

1+ MARRONE / BROWN  
4 OUT NERO / BLACK  
3- BLU / BLUE



1+ MARRONE / BROWN  
2 NC OUT BIANCO/WHITE  
3- BLU / BLUE  
4 NO OUT NERO / BLACK

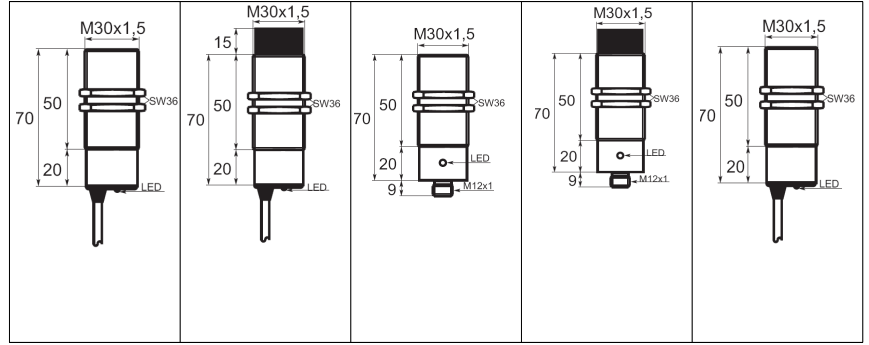
1+ MARRONE / BROWN  
4 OUT NERO / BLACK  
3- BLU / BLUE



1+ MARRONE / BROWN  
2 NC OUT BIANCO/WHITE  
3- BLU / BLUE  
4 NO OUT NERO / BLACK

## M30 Inductive Proximity Sensors

**Standard Length  
"Mini's"**  
**Extended Sensing**  
**3 Wire DC**  
**2 Wire DC**  
**2 Wire AC**



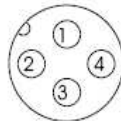
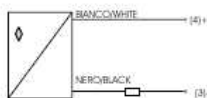
(Wiring Schematic)

3 Wire DC	PNP – Normally Open	(1)	-	-	-	-	-
	PNP – Normally Closed	(1)	-	-	-	-	-
	PNP – Selectable	(4)	-	-	-	-	-
	NPN – Normally Open	(2)	-	-	-	-	-
	NPN – Normally Closed	(2)	-	-	-	-	-
2 Wire DC	Normally Open	(6)	IMM423010C	IMM453015C	IMN423010M12	IMN453015M12	IMM623010C
	Normally Closed	(6)	IMM433010C	IMM463015C	IMN433010M12	IMN463015M12	IMM633010C
2 Wire AC	Normally Open	(7)	-	-	-	-	-
	Normally Closed	(7)	-	-	-	-	-

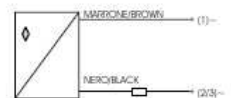
Mating cables / connectors

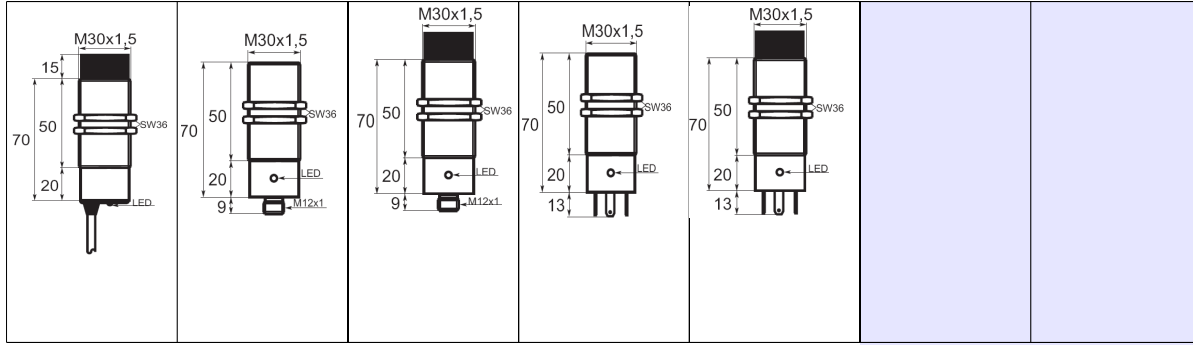
Form	M30 Shielded	M30 Non-Shielded	M30 Shielded	M30 Non-Shielded	M30 Shielded
Nominal Sensing Distance (Sn)	10mm	15mm	10mm	15mm	10mm
Housing Material	Nickel Plated Brass				
Termination Type	2.0 Meter Cable	2.0 Meter Cable	M12 Connector	M12 Connector	2.0 Meter Cable
Min / Max Supply Voltage	10 to 30Vdc				20 to 220 Vac
Max. Load Current (I <sub>r</sub> )	100mA				400 mA
Max ripple factor (V <sub>r</sub> )	≤ 10%				-
Voltage Drop (U <sub>d</sub> )	≤ 7.5 Vdc				≤ 4.5Vac
Power Consumption (I <sub>o</sub> )	≤ 0.7mA				≤ 2.5mA
Switching Frequency (Hz)	200 Hz	200 Hz	200 Hz	200 Hz	20 Hz
Repeatability	< 2% nominal sensing distance				
Hysteresis	≤ 10% Sn				
Short Circuit Protection	Yes				No
Output LED	Yes				Yes
Operating Temperature	-25 to +70 C				
IP Rating	IP67 (with connector mounted)				

Wiring Diagram

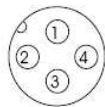
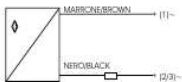


4 + NERO / BLACK  
3 - BLU / BLUE

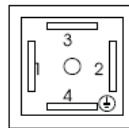




PNP – NO	-	-	-	-	-	-	-
PNP – NC	-	-	-	-	-	-	-
PNP – NO/NC	-	-	-	-	-	-	-
NPN – NO	-	-	-	-	-	-	-
NPN – NC	-	-	-	-	-	-	-
NPN – NO/NC	-	-	-	-	-	-	-
2W DC NO	-	-	-	-	-	-	-
2W DC NC	-	-	-	-	-	-	-
2W AC NO	IMM653015C	IMN623010M12	IMN653015M12	IMN623010P	IMN653015P		
2W AC NC	IMM663015C	IMN633010M12	IMN663015M12	IMN633010P	IMN663015P		
Mates							
Form	M30 Non-Shielded	M30 Shielded	M30 Non-Shielded	M30 Shielded	M30 Non-Shielded	-	-
Sn	15mm	10mm	15mm	10mm	15mm	-	-
Housing	Nickel Plated Brass						
Termination	2.0 Meter Cable	M12 Connector	M12 Connector	Sub-Base Plug	Sub-Base Plug		
Supply Vdc	20 to 220Vac						
Max Load	400mA						
Max ripple	-						
Ud	≤ 4.5Vac						
Io	≤ 2.5mA						
Hz	20 Hz	20 Hz	20 Hz	20 Hz	20 Hz		
Repeatability	< 2% nominal sensing distance						
Hysteresis	≤ 10% Sn						
Short Protection	No						
LED	Yes						
Op Temp	-25 to +70 C						
IP Rating	IP67 (with connector mounted)						



1 ~ MARRONE / BROWN  
2/3 ~ BLU / BLUE



1 ~ MARRONE / BROWN  
2/3 ~ BLU / BLUE