



Chipsmall Limited consists of a professional team with an average of over 10 year of expertise in the distribution of electronic components. Based in Hongkong, we have already established firm and mutual-benefit business relationships with customers from,Europe,America and south Asia,supplying obsolete and hard-to-find components to meet their specific needs.

With the principle of “Quality Parts,Customers Priority,Honest Operation,and Considerate Service”,our business mainly focus on the distribution of electronic components. Line cards we deal with include Microchip,ALPS,ROHM,Xilinx,Pulse,ON,Everlight and Freescale. Main products comprise IC,Modules,Potentiometer,IC Socket,Relay,Connector.Our parts cover such applications as commercial,industrial, and automotives areas.

We are looking forward to setting up business relationship with you and hope to provide you with the best service and solution. Let us make a better world for our industry!



## Contact us

Tel: +86-755-8981 8866 Fax: +86-755-8427 6832

Email & Skype: info@chipsmall.com Web: www.chipsmall.com

Address: A1208, Overseas Decoration Building, #122 Zhenhua RD., Futian, Shenzhen, China



**IN421**  
Contractor® Flashlight

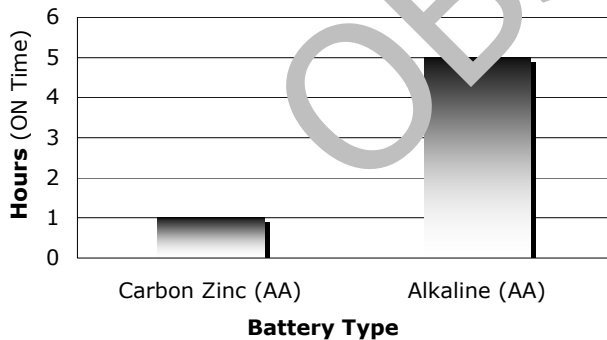


**Features**

- Swivel Head Rotates 180°
- Belt Clip
- Trigger Switch
- Soft Ergonomic Grip
- Krypton Bulb

**Typical Battery Service**

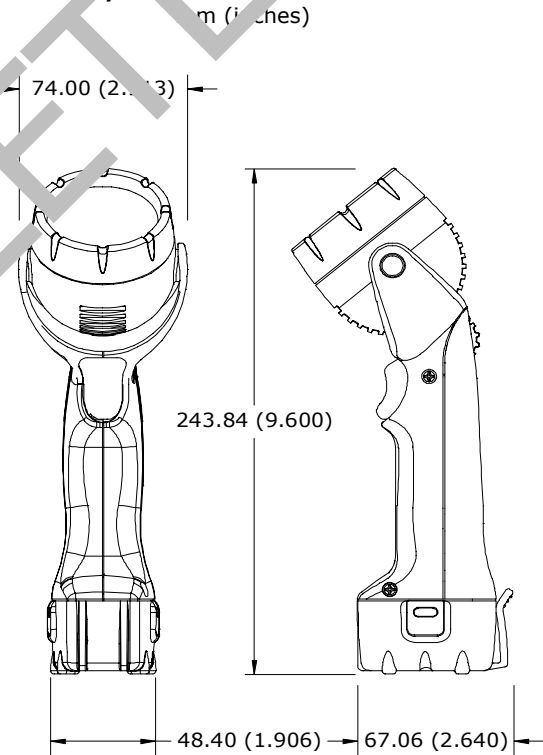
350 mA Continuous  
at 21°C (70°F)



**Specifications**

- Designation:** Energizer Flashlight
- Power Source:** Four AA Size Batteries (ANSI/NEDA 15 Series)
- Configuration:** Series - Parallel Circuit
- Lamp:** No. KPR-102 (Rated at 2.4V, 0.7A)
- Lamp Life:** Rated at 15 Hours
- Lamp Output:** Rated at 16.5 Lumens
- Typical Weight:** 181 grams (6.4 oz.) (without batteries)

**Physical Dimensions**



**Typical Battery Service to 0.9V (per battery) at 21°C (70°F)**

Schedule	Battery Type	Hours (ON Time)
350 mA Continuous	1215	1.0
350 mA Continuous	E91	5.0

**Important Notice**

This datasheet contains information specific to flashlights manufactured at the time of its publication.  
**Contents herein do not constitute a warranty.**  
Copyright Eveready Battery Co. Inc. - All Rights Reserved