



Chipsmall Limited consists of a professional team with an average of over 10 year of expertise in the distribution of electronic components. Based in Hongkong, we have already established firm and mutual-benefit business relationships with customers from,Europe,America and south Asia,supplying obsolete and hard-to-find components to meet their specific needs.

With the principle of "Quality Parts,Customers Priority,Honest Operation,and Considerate Service",our business mainly focus on the distribution of electronic components. Line cards we deal with include Microchip,ALPS,ROHM,Xilinx,Pulse,ON,Everlight and Freescale. Main products comprise IC,Modules,Potentiometer,IC Socket,Relay,Connector.Our parts cover such applications as commercial,industrial, and automotives areas.

We are looking forward to setting up business relationship with you and hope to provide you with the best service and solution. Let us make a better world for our industry!



Contact us

Tel: +86-755-8981 8866 Fax: +86-755-8427 6832

Email & Skype: info@chipsmall.com Web: www.chipsmall.com

Address: A1208, Overseas Decoration Building, #122 Zhenhua RD., Futian, Shenzhen, China

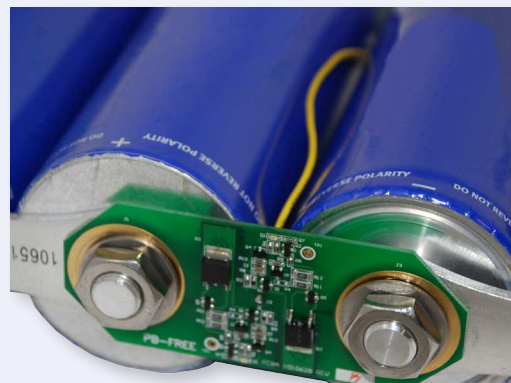


FEATURES AND BENEFITS

- Simple design and assembly
- Maximizes system lifetime
- Protects individual ultracapacitors against over voltage
- For 2, 4, or 6 K2 Series ultracapacitors connected in series
- Compatible with ultracapacitors rated at 2.7V and 2.85V

TYPICAL APPLICATIONS

- Fast prototyping
- Application specific modules



PRODUCT SPECIFICATIONS

ELECTRICAL

	BKIT-MCINT	BKIT-MCIHT
Turn-on threshold (V_{on})	2.6 ± .05 V	-
Turn-off threshold	(V_{on} - 0.03) to (V_{on} - 0.1) V	-
On-state current	225 ± 25 mA	-
Off-state current	< 60 uA	-
Allowable operating voltage range	-1.0 V to 3.0 V	-
Balancing resistor value	-	49.9 Ω

ENVIRONMENT

Operating Temperature Range	-40°C to +65°C	-40°C to +65°C
Humidity		
Non-condensing at +25°C	0% to 90%	0% to 90%
Non-condensing at +50°C	0% to 70%	0% to 70%

INCLUDED IN INTEGRATION KIT PACKAGE

- 3 x Rivets (AD41-43ABS, 1100 Aluminum)
- 3 x PCBA (93.4 x 38.1mm)
- 6 x Buss Bars (31.8 x 94.8 x 3.2mm, 6061 Aluminum)
- 12 x Washers (M12 DIN137B Steel)
- 12 x Retaining Nuts (M12-1.75 x 6mm Steel)

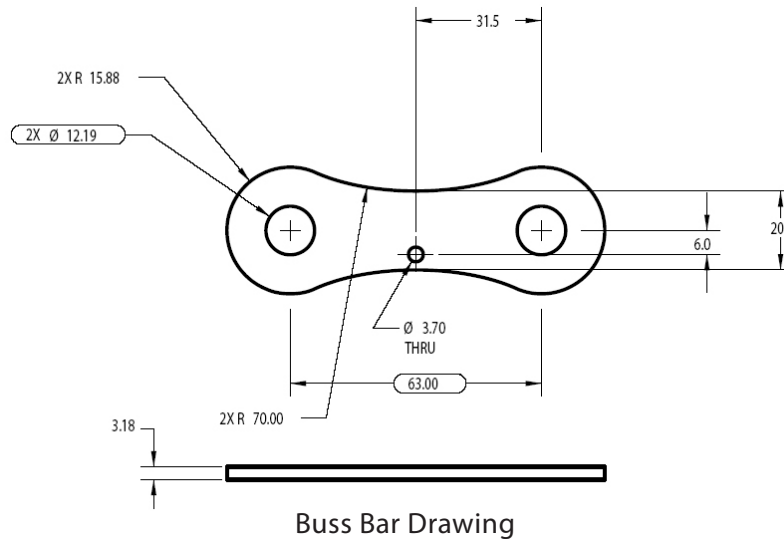
ORDERING INFORMATION

- Integration Kit with active PCBA:
BKIT-MCINT (Part number 106927)
- Integration Kit with passive PCBA:
BKIT-MCIHT (Part number 108320)

MOUNTING RECOMMENDATIONS

For complete assembly instructions please refer to the Integration Kit User Manual (document number 1011158). Torque each connection to 12 ± 2 Nm.

Maxwell Technologies cell balance boards are designed to limit any over voltage of the individual capacitors during proper rated system use. The circuit is capable of sinking up to 250mA of current to reduce over voltage on cells. When cells are balanced, the circuit draws less than 60µA (approximately 1% of the typical leakage current of a 3000 F cell). There is no need to externally control the circuit.



*Refer to user manual for product variant details.

Product dimensions are in millimeters and for reference only unless otherwise identified. Product dimensions and specifications may change without notice. Please contact Maxwell Technologies directly for any technical specifications critical to application. All products featured on this datasheet are covered by the following U.S. patents and their respective foreign counterparts: 6643119, 7295423, 7342770, 7352558, 7384433, 7440258, 7492571, 7508651, 7791860, 7791861, 7816891, 7859826, 7883553, 7935155, 8072734, 8098481, 8279580, and patents pending.



Maxwell Technologies, Inc.
Global Headquarters
 3888 Calle Fortunada
 San Diego, CA 92123
 USA
 Tel: +1 (858) 503-3300
 Fax: +1 (858) 503-3301



Maxwell Technologies SA
 Route de Montena 65
 CH-1728 Rossens
 Switzerland
 Tel: +41 (0)26 411 85 00
 Fax: +41 (0)26 411 85 05



Maxwell Technologies, GmbH
 Leopoldstrasse 244
 80807 München
 Germany
 Tel: +49 (0)89 / 4161403 0
 Fax: +49 (0)89 / 4161403 99



Maxwell Technologies, Inc.
Shanghai Trading Co. Ltd
 Unit A2BC, 12th Floor
 Huarun Times Square
 500 Zhangyang Road, Pudong
 Shanghai 200122, P.R. China
 Phone: +86 21 3852 4000
 Fax: +86 21 3852 4099



Maxwell Technologies Korea Co., Ltd
 Room 1524, D-Cube City
 Office Tower, 15F #662
 Gyeongin-Ro, Guro-Gu,
 Seoul, Korea, 152-706
 Phone: +82 10 4518 9829

MAXWELL TECHNOLOGIES, MAXWELL, MAXWELL CERTIFIED INTEGRATOR, ENABLING ENERGY'S FUTURE, BOOSTCAP, C CELL, D CELL and their respective designs and/or logos are either trademarks or registered trademarks of Maxwell Technologies, Inc. and may not be copied, imitated or used, in whole or in part, without the prior written permission from Maxwell Technologies, Inc. All contents copyright © 2015 Maxwell Technologies, Inc. All rights reserved. No portion of these materials may be reproduced in any form, or by any means, without prior written permission from Maxwell Technologies, Inc.

