



Chipsmall Limited consists of a professional team with an average of over 10 year of expertise in the distribution of electronic components. Based in Hongkong, we have already established firm and mutual-benefit business relationships with customers from,Europe,America and south Asia,supplying obsolete and hard-to-find components to meet their specific needs.

With the principle of “Quality Parts,Customers Priority,Honest Operation,and Considerate Service”,our business mainly focus on the distribution of electronic components. Line cards we deal with include Microchip,ALPS,ROHM,Xilinx,Pulse,ON,Everlight and Freescale. Main products comprise IC,Modules,Potentiometer,IC Socket,Relay,Connector.Our parts cover such applications as commercial,industrial, and automotives areas.

We are looking forward to setting up business relationship with you and hope to provide you with the best service and solution. Let us make a better world for our industry!



Contact us

Tel: +86-755-8981 8866 Fax: +86-755-8427 6832

Email & Skype: info@chipsmall.com Web: www.chipsmall.com

Address: A1208, Overseas Decoration Building, #122 Zhenhua RD., Futian, Shenzhen, China

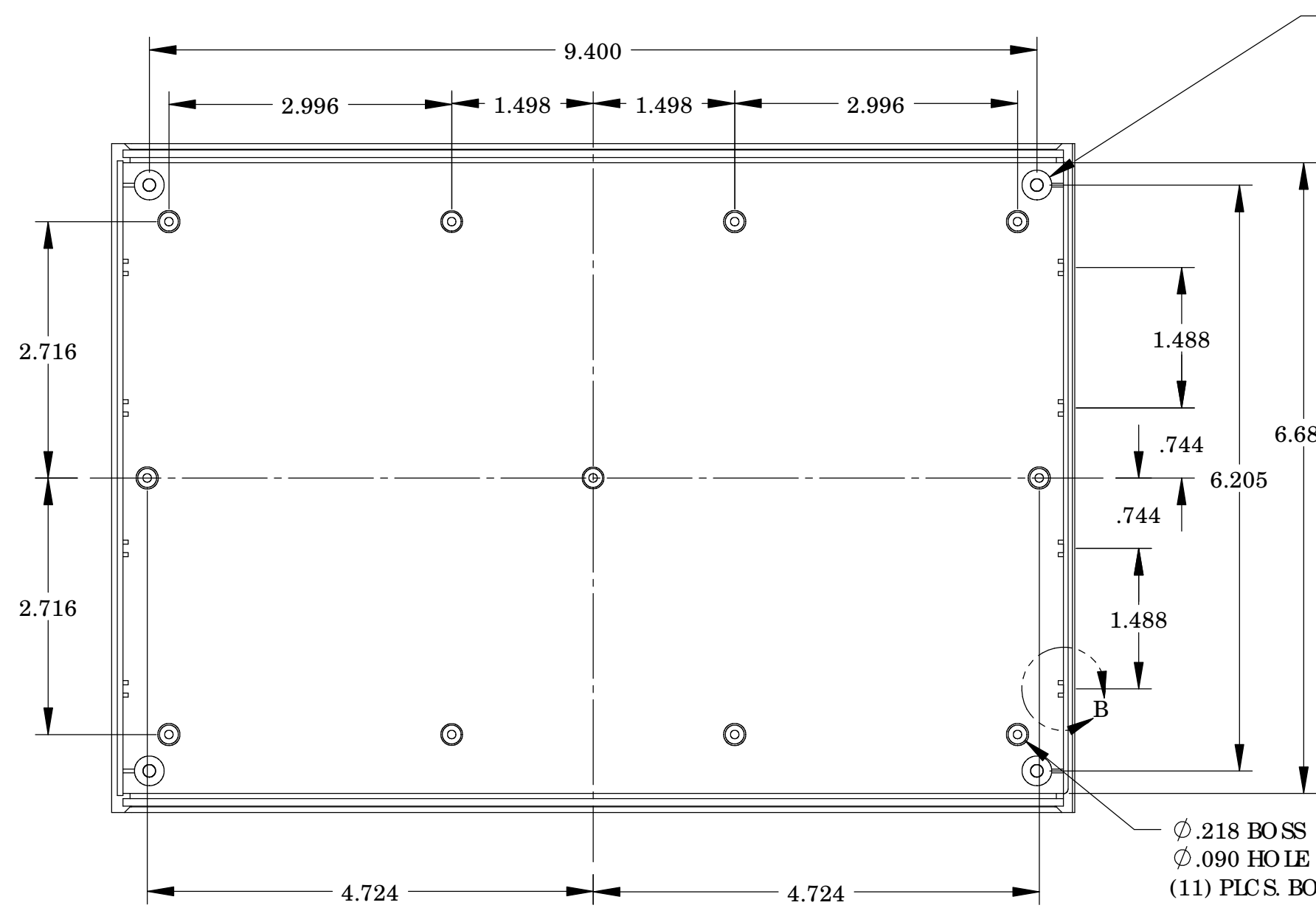


PART NAME

PLASTIC INSTRUMENT CASE

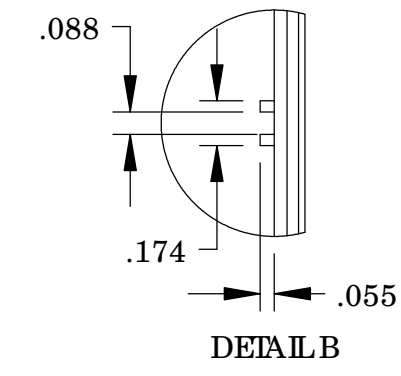
PART No.

IP-6136 & IP-6137 & IP-6138



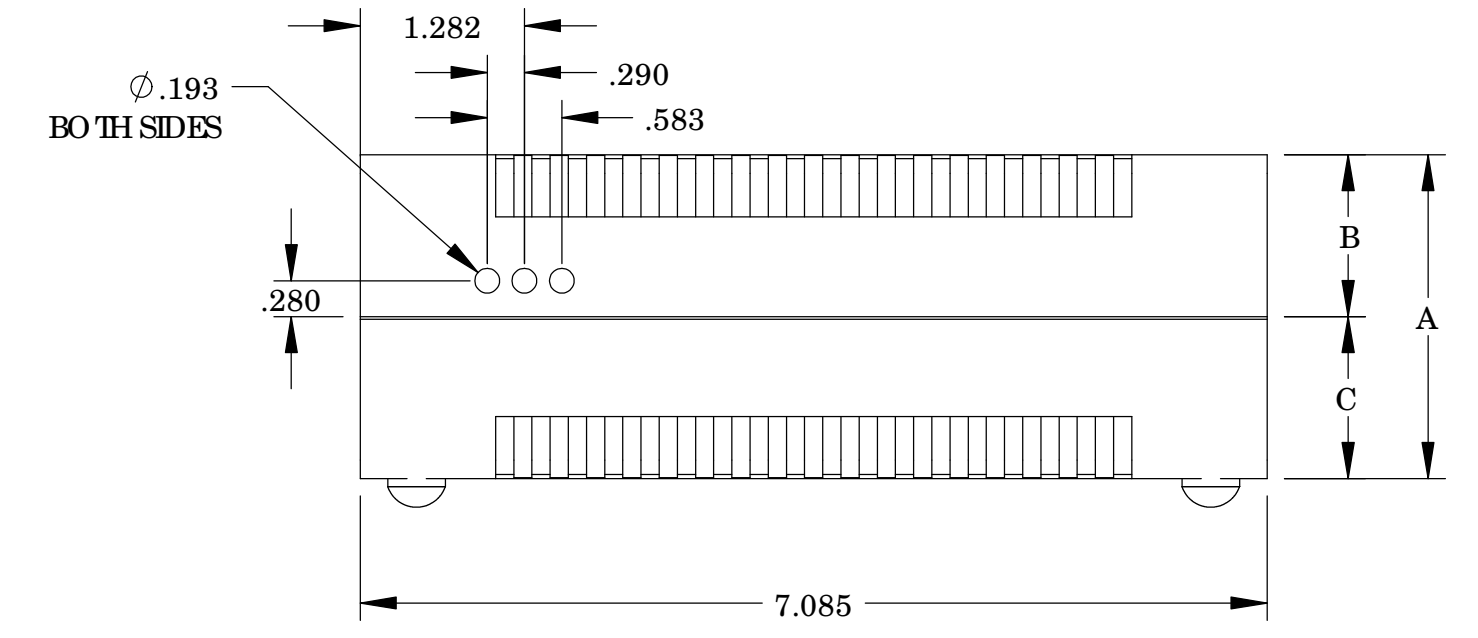
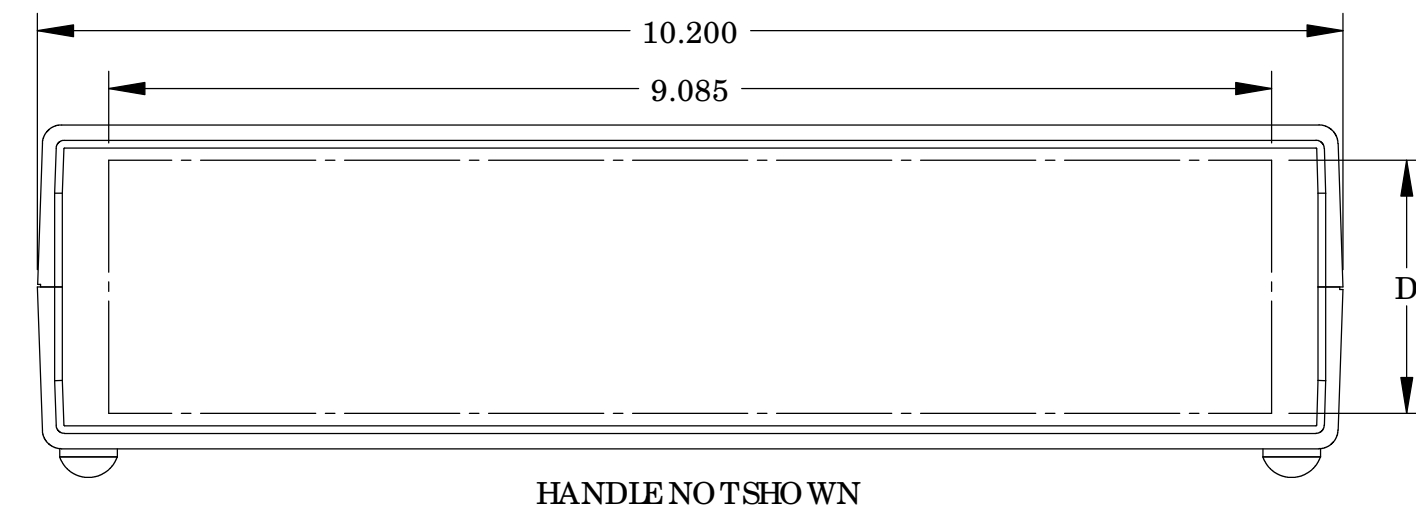
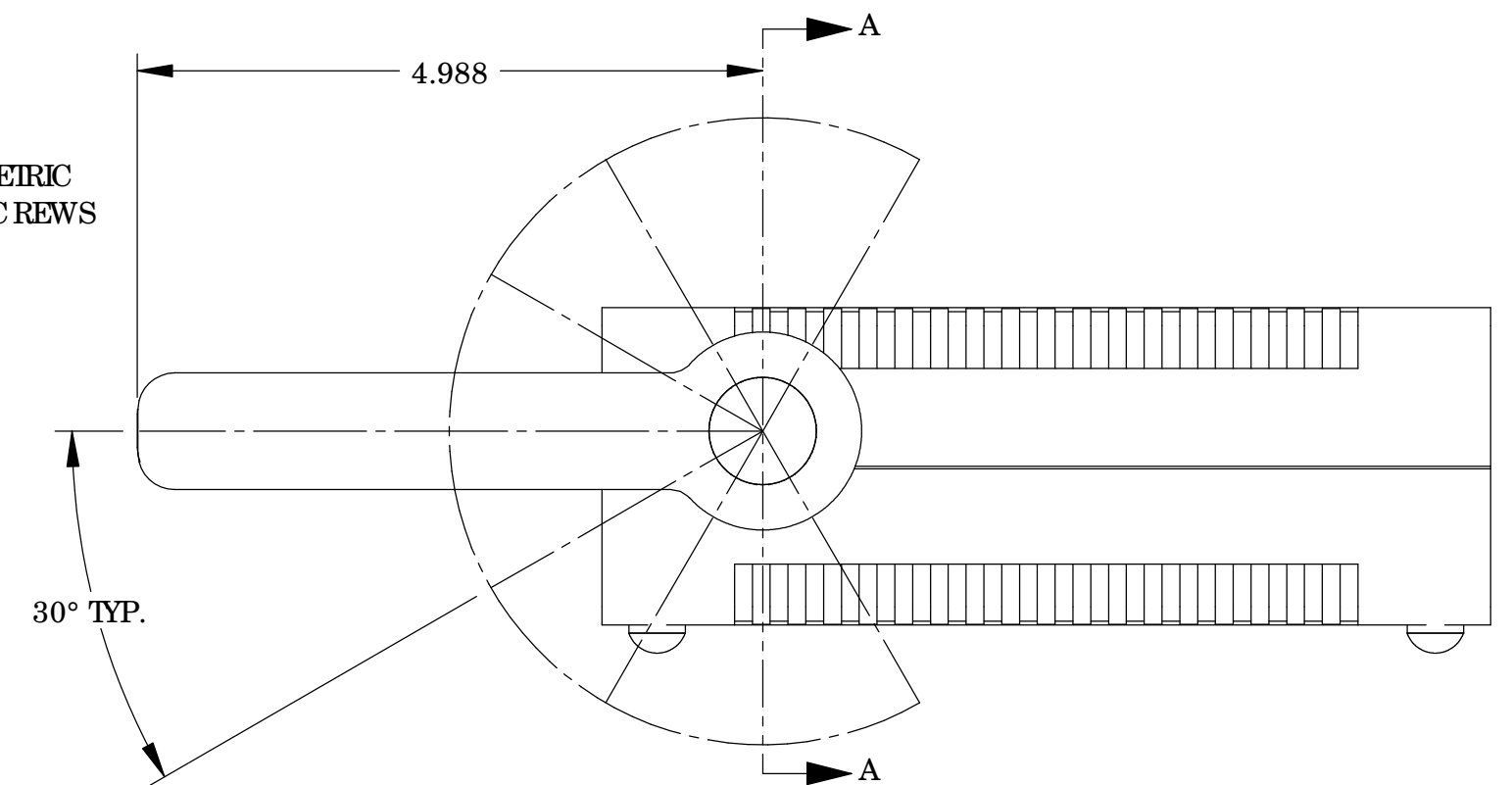
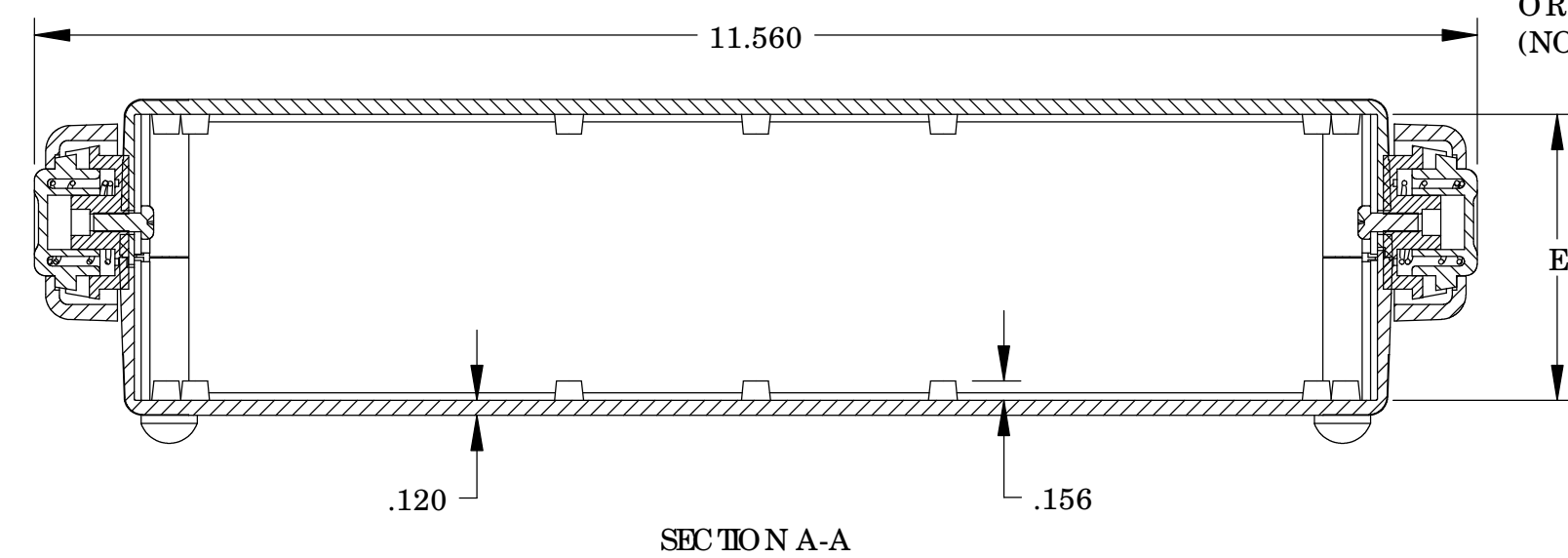
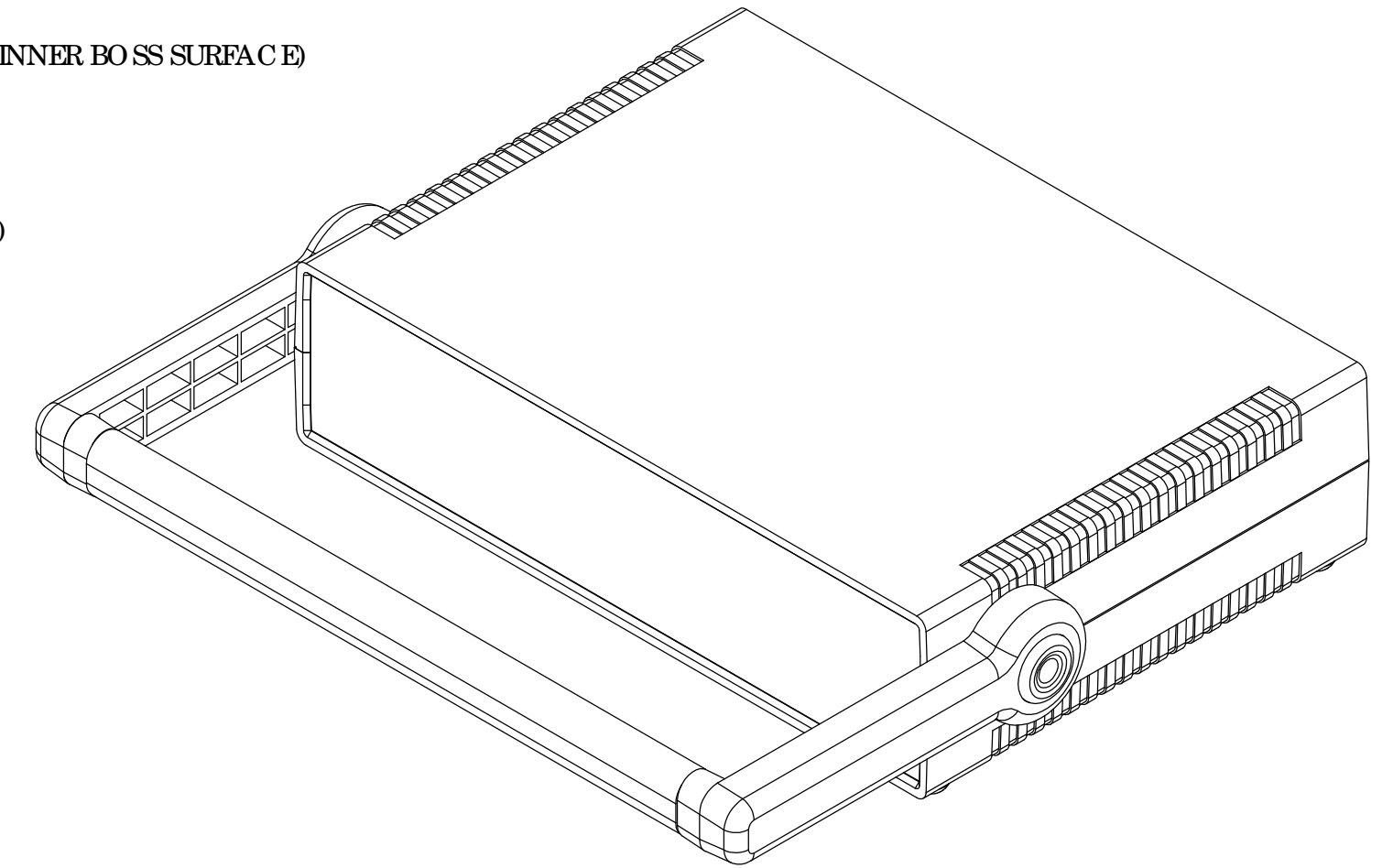
BOTTOM COVER:
 $\phi .248 \nabla .050$
 $92^\circ \text{ C-SINK } \nabla .665$ (FROM INNER BOSS SURFACE)
 $\phi .132$ THRU
 (FAR SIDE 4 PLCS.)

TOP COVER:
 M3 BRASS INSERT (4 PLCS.)



$\phi .218$ BOSS
 $\phi .090$ HOLE $\nabla .218$
 (11) PLCS. BOTH COVERS

BOSSSES USE EITHER M2.5 METRIC
 OR # 4 STD. SHEET METAL SCREWS
 (NOT SUPPLIED)



NOTES:
MATERIALS & FINISHES:
 COVERS - ABS (LIGHT GREY)
 UL94-HB FLAMMABILITY RATING
 PANELS - ABS (BLACK)
 UL94-HB FLAMMABILITY RATING
 HANDLE SUPPORTS - ABS (GREY)
 UL94-HB FLAMMABILITY RATING
 HANDLE - ALUMINUM EXTRUSION (CLEAR ANODIZE)

HARDWARE INCLUDED:
 HANDLE KIT AND (2) M4 x 10mm PAN HEAD MOUNTING SCREWS INCLUDED
 (4) M3 x 25mm FLATHEAD SCREWS
 (4) RUBBER FEET

ALL DIMENSIONS HAVE $\pm .015$ TOLERANCE UNLESS OTHERWISE SPECIFIED

PART No.	TOTAL HEIGHT	COVER HEIGHT	BASE HEIGHT	USEABLE PANEL SPACE	INTERNAL CLEARANCE
	A	B	C	D	E
IP-6136	2.530	1.265	1.265	1.978	2.290
IP-6137	3.320	2.055	1.265	2.768	3.080
IP-6138	4.110	2.055	2.055	3.558	3.870