



Chipsmall Limited consists of a professional team with an average of over 10 year of expertise in the distribution of electronic components. Based in Hongkong, we have already established firm and mutual-benefit business relationships with customers from,Europe,America and south Asia,supplying obsolete and hard-to-find components to meet their specific needs.

With the principle of “Quality Parts,Customers Priority,Honest Operation,and Considerate Service”,our business mainly focus on the distribution of electronic components. Line cards we deal with include Microchip,ALPS,ROHM,Xilinx,Pulse,ON,Everlight and Freescale. Main products comprise IC,Modules,Potentiometer,IC Socket,Relay,Connector.Our parts cover such applications as commercial,industrial, and automotives areas.

We are looking forward to setting up business relationship with you and hope to provide you with the best service and solution. Let us make a better world for our industry!



Contact us

Tel: +86-755-8981 8866 Fax: +86-755-8427 6832

Email & Skype: info@chipsmall.com Web: www.chipsmall.com

Address: A1208, Overseas Decoration Building, #122 Zhenhua RD., Futian, Shenzhen, China



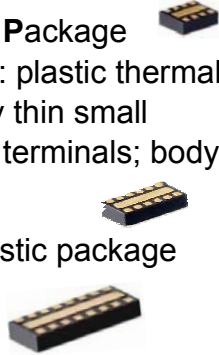
At a glance

IP425xCZ8-4/CZ12-6/CZ16-8

Nov. 2008

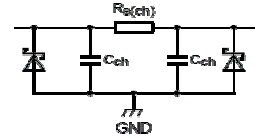
Package

- ▶ **Ultra Thin Leadless Package** (UTLP) - HXSON12: plastic thermal enhanced extremely thin small outline package; 12 terminals; body 1.35 x 2.5 x 0.5 mm
- ▶ QFN compatible plastic package with 0.4 mm pitch



Key features

- ▶ IP425xCZ8/CZ12/CZ16: 40; 100; 200 Ω channel series resistance, 30 pF (at 2.5 V DC) channel capacitance network
- ▶ 4-, 6- and 8-channel integrated p-type RC filter



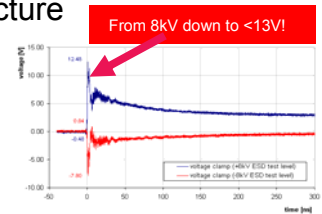
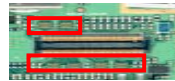
Applications

General purpose Electro Magnetic Interference (EMI) & Radio-Frequency Interference (RFI) filtering & downstream ESD protection for:

- ▶ Cellular & Personal Communication System (PCS) mobile handsets, PDAs
- ▶ Wireless data (WAN/LAN) systems,
- ▶ Cordless telephones

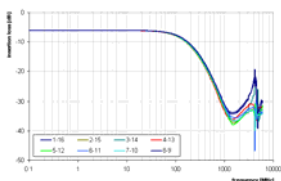
Advantages

- ▶ 4-, 6- and 8- channel product for maximum flexibility
- ▶ Very low clamping voltage due to pi-filter structure
- ▶ Easy routing



Technical details

- ▶ Over 30dB attenuation between 800MHz and 2GHz



- ▶ Up to 30kV ESD protection according IEC61000-4-2

Additional resources

Check datasheet:

http://www.nxp.com/pip/IP4253_54_CZ8_CZ12_CZ16_2.html

Order at sample store:

www.nxp.com



Any questions about the new product? Please contact:

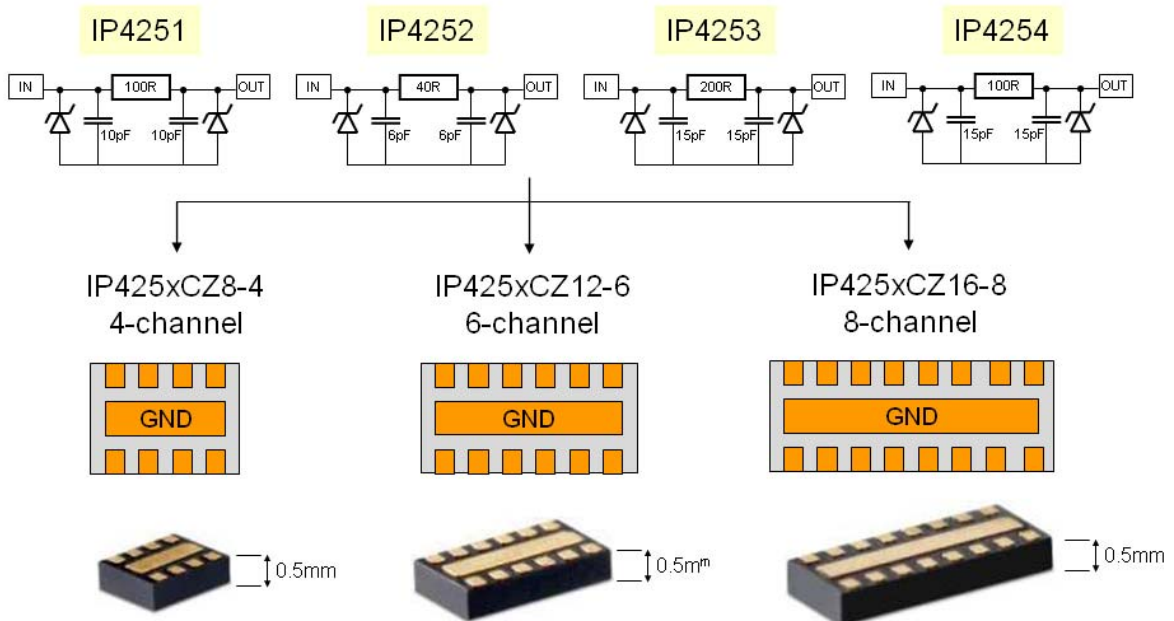
Cuong.Vuong@nxp.com

IP425x Family

... IP425xCZ8-4/CZ12-6/CZ16-8

Product	Package Suffix		No. of Channels	Resistance (typ.)	Capacitance (typ.) @ 2.5V	Capacitance (typ.) @ 0V	Width (mm)	Length (mm)	Height (mm)
IP4251	CZ8-4	8-pin	4	100 Ω	10 pF	15 pF	1.4	1.75	0.50
	CZ12-6	12-pin	6				1.4	2.55	0.50
	CZ16-8	16-pin	8				1.4	3.35	0.50
IP4252	CZ8-4	8-pin	4	40 Ω	12 pF	18 pF	1.4	1.75	0.50
	CZ12-6	12-pin	6				1.4	2.55	0.50
	CZ16-8	16-pin	8				1.4	3.35	0.50
IP4253	CZ8-4	8-pin	4	200 Ω	30 pF	45 pF	1.4	1.75	0.50
	CZ12-6	12-pin	6				1.4	2.55	0.50
	CZ16-8	16-pin	8				1.4	3.35	0.50
IP4254	CZ8-4	8-pin	4	100 Ω	30 pF	45 pF	1.4	1.75	0.50
	CZ12-6	12-pin	6				1.4	2.55	0.50
	CZ16-8	16-pin	8				1.4	3.35	0.50

... 4-, 6- and 8-channel EMI filters



Any questions about the new product? Please contact:

Cuong.Vuong@nxp.com