



Chipsmall Limited consists of a professional team with an average of over 10 year of expertise in the distribution of electronic components. Based in Hongkong, we have already established firm and mutual-benefit business relationships with customers from,Europe,America and south Asia,supplying obsolete and hard-to-find components to meet their specific needs.

With the principle of “Quality Parts,Customers Priority,Honest Operation,and Considerate Service”,our business mainly focus on the distribution of electronic components. Line cards we deal with include Microchip,ALPS,ROHM,Xilinx,Pulse,ON,Everlight and Freescale. Main products comprise IC,Modules,Potentiometer,IC Socket,Relay,Connector.Our parts cover such applications as commercial,industrial, and automotives areas.

We are looking forward to setting up business relationship with you and hope to provide you with the best service and solution. Let us make a better world for our industry!



Contact us

Tel: +86-755-8981 8866 Fax: +86-755-8427 6832


Email & Skype: info@chipsmall.com Web: www.chipsmall.com

Address: A1208, Overseas Decoration Building, #122 Zhenhua RD., Futian, Shenzhen, China



Type 12 Mild Steel Modular Freestanding PC Enclosure *IPC Series*

3 Section Cabinet with Hinged Doors

 **Note:** This product line has been discontinued as a stocked series. Information is for reference only. For alternative solution assistance, please contact Hammond Customer Service - sales@hammfg.com or USA (716) 630-7030, Canada and International (519) 822-2960.



Application

- The IPC product line provides users with a rugged housing for industrial control, operator interface and computer equipment in harsh industrial environments.
- Modular design permits joining of units for large scale and mixed use applications.
- Increasingly, PC technology is utilized on the factory floor. The PC enclosure provides a secure housing for standard PC components.
- A broad range of industry standard sizes are offered. Units are constructed to imperial dimensions and hardware sizes, with metric sizing provided for convenient reference.

Standards

- UL 508 Type 12
- CSA Type 12
- Complies with
 - NEMA Type 12
 - IEC 60529 IP54

Construction

- Frame with integral solid top
- Provision for lifting eyebolts (included)
- 4 internal mounting rails
- Removable bottom panel
- Top window or solid door with key locking handle
- Monitor shelf (window door version)
- Drop down keyboard door with locking handle
- Self contained keyboard compartment
- Pull-out keyboard shelf with left/right mouse tray
- Solid bottom door with key locking handle
- Solid full-height rear door with key locking handle
- Pair of solid side panels

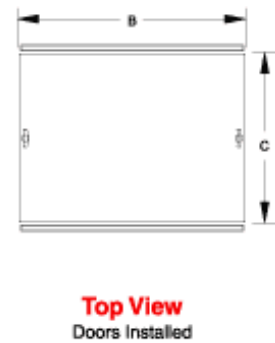
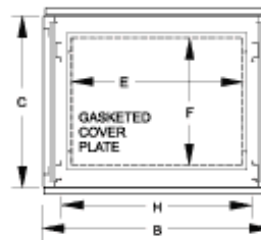
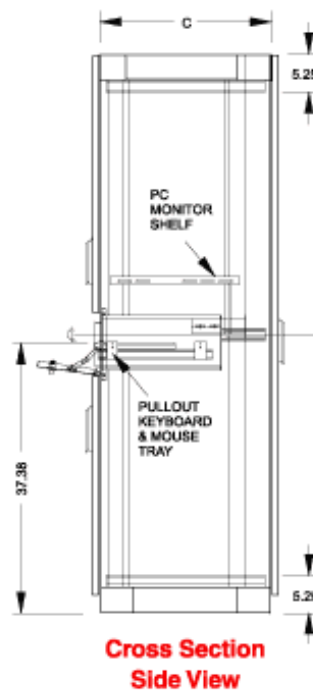
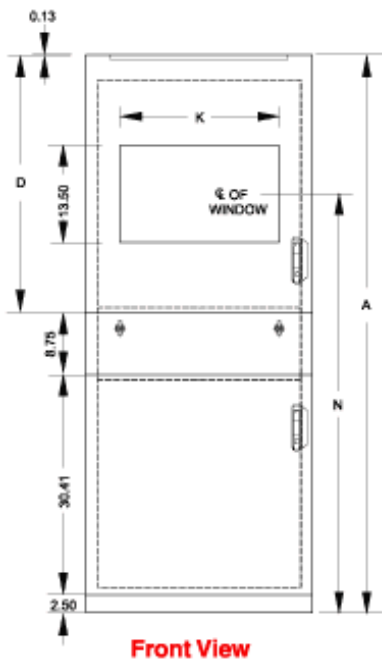
Finish

- Formed 14 gauge steel.
- Frame features welded corner reinforcements
- Oil resistance gaskets are permanently secured on all openings
- Frames are easily joined together with an optional joining kit

- Doors can be easily removed
- Formed 16 gauge steel side panels are recessed to fit flush with the sides of the cabinet
- Bonding and grounding studs are provided for all doors and handles

Accessories

- Base Inner Panel
- Caster Assembly - Inside Mounting
- Fixed Vented Shelf
- Joining Kit
- Lighting
- Plinth
- Enclosure Shelves
- Caster Assembly - Outside Mounting
- IME Door Shelf
- Fold Down Shelf
- Leveling Feet
- Literature Pocket
- Outlet Strips
- Vented Raised Top



Keyboard Dimensions

Enclosure Width (mm)	Maximum Keyboard Width
700	508
800	610

Window Door Part No.	Solid Door Part No.	Nominal Dimensions A x B x C (mm)	Overall Dimensions									Ship Wt. lbs
			A	B	C	D	E	F	H	K	N	
IPC1676	IPC1676ST	1600 x 700 x 600	1786	711	600	677	432	267	579	457	1372	340
IPC1678	IPC1678ST	1600 x 700 x 800	1786	711	800	677	432	445	579	457	1372	355
IPC1686	IPC1686ST	1600 x 800 x 600	1786	800	600	677	610	445	668	559	1372	350
IPC1876	IPC1876ST	1800 x 700 x 600	1964	711	600	855	432	267	579	457	1473	355
IPC1878	IPC1878ST	1800 x 700 x 800	1964	711	800	855	432	445	579	457	1473	380
IPC1886	IPC1886ST	1800 x 800 x 600	1964	800	600	855	610	267	668	559	1473	370

Data subject to change without notice

© 2017. Hammond Manufacturing Ltd. All rights reserved.