



Chipsmall Limited consists of a professional team with an average of over 10 year of expertise in the distribution of electronic components. Based in Hongkong, we have already established firm and mutual-benefit business relationships with customers from,Europe,America and south Asia,supplying obsolete and hard-to-find components to meet their specific needs.

With the principle of “Quality Parts,Customers Priority,Honest Operation,and Considerate Service”,our business mainly focus on the distribution of electronic components. Line cards we deal with include Microchip,ALPS,ROHM,Xilinx,Pulse,ON,Everlight and Freescale. Main products comprise IC,Modules,Potentiometer,IC Socket,Relay,Connector.Our parts cover such applications as commercial,industrial, and automotives areas.

We are looking forward to setting up business relationship with you and hope to provide you with the best service and solution. Let us make a better world for our industry!



Contact us

Tel: +86-755-8981 8866 Fax: +86-755-8427 6832

Email & Skype: info@chipsmall.com Web: www.chipsmall.com

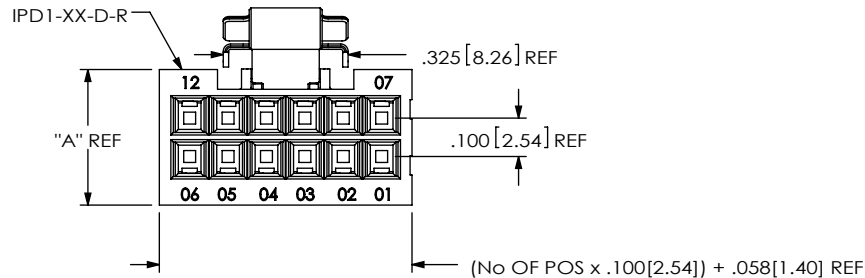
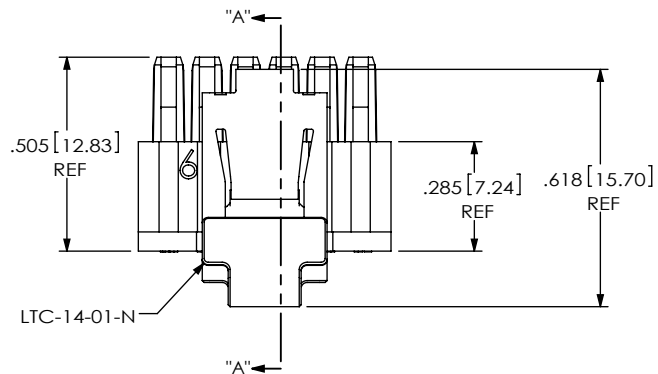
Address: A1208, Overseas Decoration Building, #122 Zhenhua RD., Futian, Shenzhen, China



DO NOT SCALE FROM THIS PRINT

NOTES:

1. $\text{\textcircled{C}}$ REPRESENTS A CRITICAL DIMENSION.
2. BURR ALLOWANCE: .0015[.038] MAX.
3. LATCH RETENTION FORCE: 1.000LB[4.45N].
4. POSITION 2 THRU 6 TO BE IN BULK PACKING, ALL OTHER SIZES TO BE IN TUBES.



IPD1-XX-X-XX-X

No OF POSITIONS
-02 THRU -25 (PER ROW)

ROW SPECIFICATION
-S: SINGLE
-D: DOUBLE

LATCH OPTION
-M: METAL LATCH (SEE FIG 1)
(LEAVE BLANK FOR PLASTIC LATCH, SEE FIG 8 & FIG 10, SHT 2)

OPTION
** -P: POLARIZED (SEE FIG 2)
(NOT AVAILABLE WITH -K, -GP OPTIONS)
(LEAVE BLANK FOR NO POLARIZATION)
-K: KEYED POLARIZATION (SEE FIG 3)
(NOT AVAILABLE WITH -P, -GP OPTIONS)
** -GP: GUIDE POSTS (SEE FIG 5, SHT 2)
(NOT AVAILABLE WITH -P, -K OPTIONS)
*,** -H: HORIZONTAL (SEE FIG 7, SHT 2)
(* = NOT RELEASED FOR PRODUCTION)
(** = -P, -GP & -H OPTION AVAILABLE ON -D ONLY)

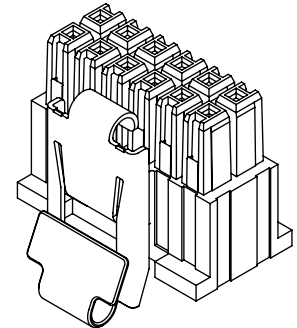
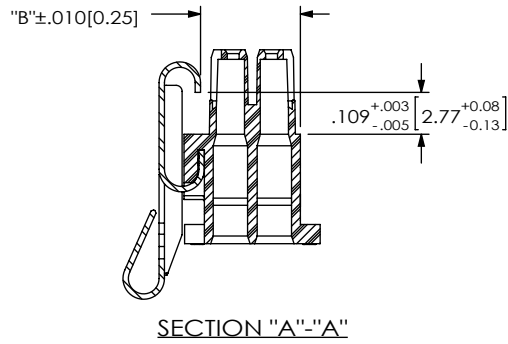
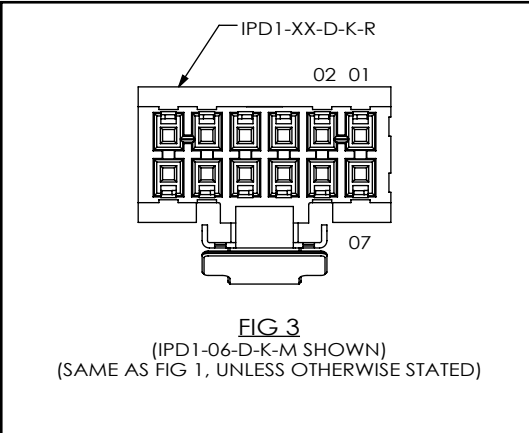
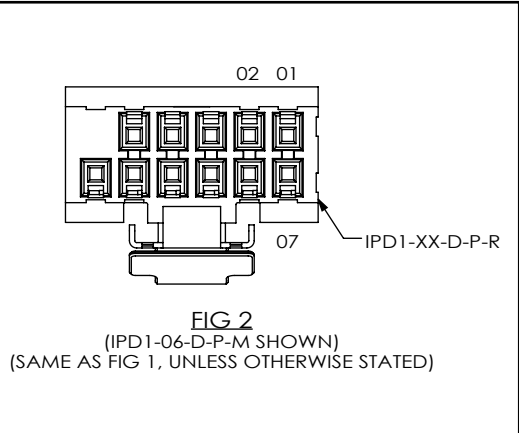



FIG 1
(IPD1-06-D-M SHOWN)

| TABLE 1 | | | | |
|-----------|-------------|-------------|-------------|--------------|
| ROW SPECS | "A" | "B" | "C" | "D" |
| -S | .300 [7.62] | .210 [5.33] | .213 [5.41] | .403 [10.24] |
| -D | .353 [8.97] | .260 [6.60] | .267 [6.77] | .451 [11.46] |



UNLESS OTHERWISE SPECIFIED, DIMENSIONS ARE IN INCHES. TOLERANCES ARE:
DECIMALS ANGLES
.XX: ±.01 [.3] 2°
.XXX: ±.005 [.13]
.XXXX: ±.0020 [.051]

PROPRIETARY NOTE
THIS DOCUMENT CONTAINS INFORMATION CONFIDENTIAL AND PROPRIETARY TO SAMTEC, INC. AND SHALL NOT BE REPRODUCED OR TRANSFERRED TO OTHER DOCUMENTS OR DISCLOSED TO OTHERS OR USED FOR ANY PURPOSE OTHER THAN THAT WHICH IT WAS OBTAINED WITHOUT THE EXPRESSED WRITTEN CONSENT OF SAMTEC, INC.



520 PARK EAST BLVD, NEW ALBANY, IN 47150
PHONE: 812-944-6733 FAX: 812-948-5047
e-Mail: info@SAMTEC.com code 55322

MATERIAL: DO NOT SCALE DRAWING SHEET SCALE: 2:1
INSULATOR: NYLON
LATCH: NICKEL-PLATED BeCu, #25, 1/2 HT

DESCRIPTION:
.100[2.54] DISCRETE WIRE INSULATOR & LATCH ASM
DWG. NO. IPD1-XX-X-XX-X
BY: T NEWTON 03/12/2008 SHEET 1 OF 3

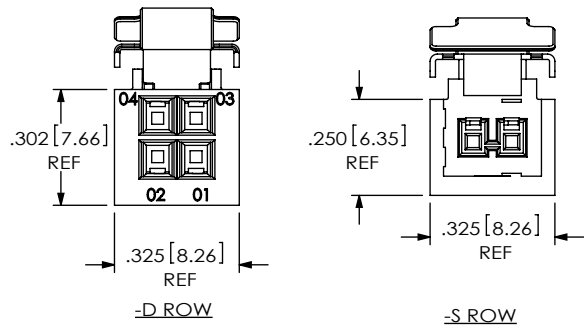


FIG 4
(IPD1-02-X-M SHOWN)
(SAME AS FIG 1, UNLESS OTHERWISE STATED)

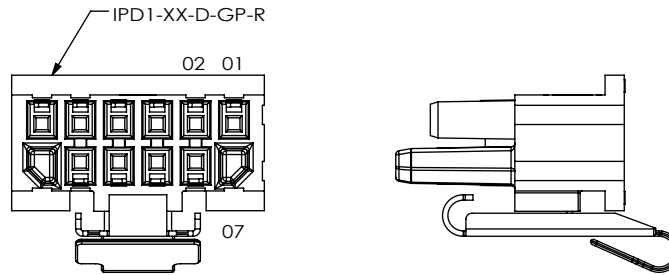


FIG 5
(IPD1-06-D-GP-M SHOWN)
(SAME AS FIG 1, UNLESS OTHERWISE STATED)

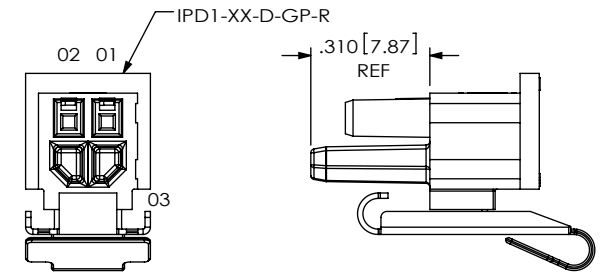


FIG 6
(IPD1-02-D-GP-M SHOWN)
(SAME AS FIG 4, UNLESS OTHERWISE STATED)

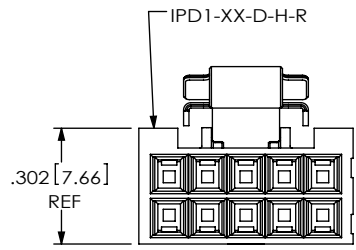


FIG 7
(IPD1-05-D-H-M SHOWN)
(SAME AS FIG 1, UNLESS OTHERWISE STATED)

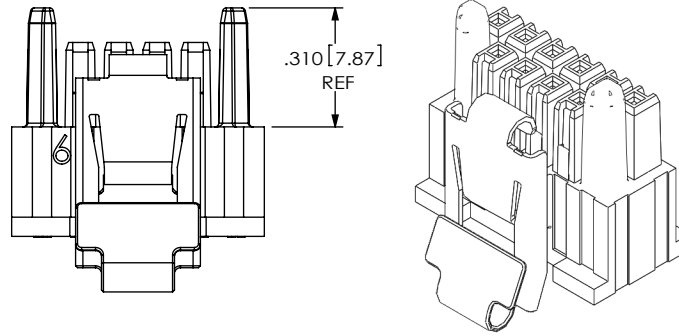


FIG 8
(IPD1-06-D-K SHOWN)
(SAME AS FIG 1, UNLESS OTHERWISE STATED)

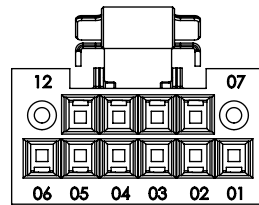


FIG 9
(IPD1-06-S-K-M SHOWN)
(SAME AS FIG 1, UNLESS OTHERWISE STATED)

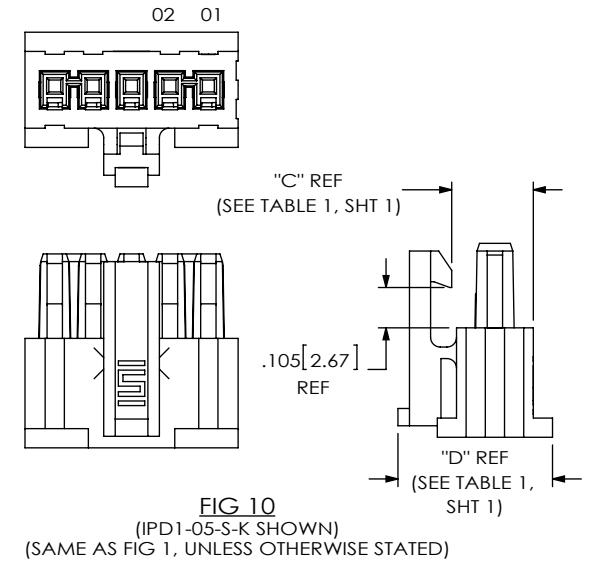
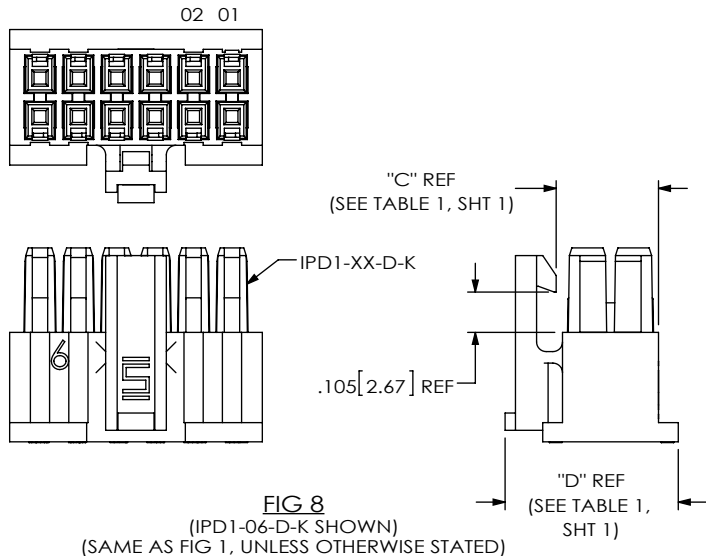


FIG 10
(IPD1-05-S-K-M SHOWN)
(SAME AS FIG 1, UNLESS OTHERWISE STATED)

PROPRIETARY NOTE

THIS DOCUMENT CONTAINS INFORMATION CONFIDENTIAL AND PROPRIETARY TO SAMTEC, INC. AND SHALL NOT BE REPRODUCED OR TRANSFERRED TO OTHER DOCUMENTS OR DISCLOSED TO OTHERS OR USED FOR ANY PURPOSE OTHER THAN THAT WHICH IT WAS OBTAINED WITHOUT THE EXPRESSED WRITTEN CONSENT OF SAMTEC, INC.

DO NOT SCALE DRAWING

SHEET SCALE: 2:1



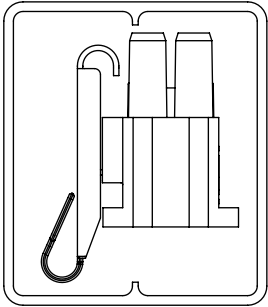
520 PARK EAST BLVD, NEW ALBANY, IN 47150
PHONE: 812-944-6733 FAX: 812-948-5047
e-Mail: info@SAMTEC.com code 55322

DESCRIPTION:
.100[2.54] DISCRETE WIRE INSULATOR & LATCH ASM

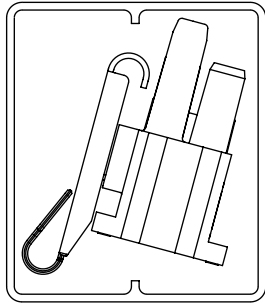
DWG. NO.

IPD1-XX-X-XX-X

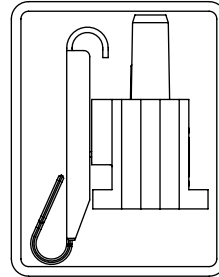
BY: T NEWTON 03/12/2008 SHEET 2 OF 3



-D ROW
TUBE: PT-1-24-04-56
PLUG: TP-25



-D-GP
TUBE: PT-1-24-04-56
PLUG: TP-25



-S ROW
TUBE: PT-1-24-02-112
PLUG: TP-28

PACKAGING VIEW
(SEE NOTE 4)

PROPRIETARY NOTE

THIS DOCUMENT CONTAINS INFORMATION CONFIDENTIAL AND PROPRIETARY TO SAMTEC, INC. AND SHALL NOT BE REPRODUCED OR TRANSFERRED TO OTHER DOCUMENTS OR DISCLOSED TO OTHERS OR USED FOR ANY PURPOSE OTHER THAN THAT WHICH IT WAS OBTAINED WITHOUT THE EXPRESSED WRITTEN CONSENT OF SAMTEC, INC.

DO NOT SCALE DRAWING

SHEET SCALE: 2.5:1



520 PARK EAST BLVD, NEW ALBANY, IN 47150
PHONE: 812-944-6733 FAX: 812-948-5047
e-Mail info@SAMTEC.com code 55322

DESCRIPTION:
.100[2.54] DISCRETE WIRE INSULATOR & LATCH ASM

DWG. NO.
IPD1-XX-X-XX-X

BY: T NEWTON 03/12/2008 SHEET 3 OF 3