



Chipsmall Limited consists of a professional team with an average of over 10 year of expertise in the distribution of electronic components. Based in Hongkong, we have already established firm and mutual-benefit business relationships with customers from,Europe,America and south Asia,supplying obsolete and hard-to-find components to meet their specific needs.

With the principle of “Quality Parts,Customers Priority,Honest Operation,and Considerate Service”,our business mainly focus on the distribution of electronic components. Line cards we deal with include Microchip,ALPS,ROHM,Xilinx,Pulse,ON,Everlight and Freescale. Main products comprise IC,Modules,Potentiometer,IC Socket,Relay,Connector.Our parts cover such applications as commercial,industrial, and automotives areas.

We are looking forward to setting up business relationship with you and hope to provide you with the best service and solution. Let us make a better world for our industry!



## Contact us

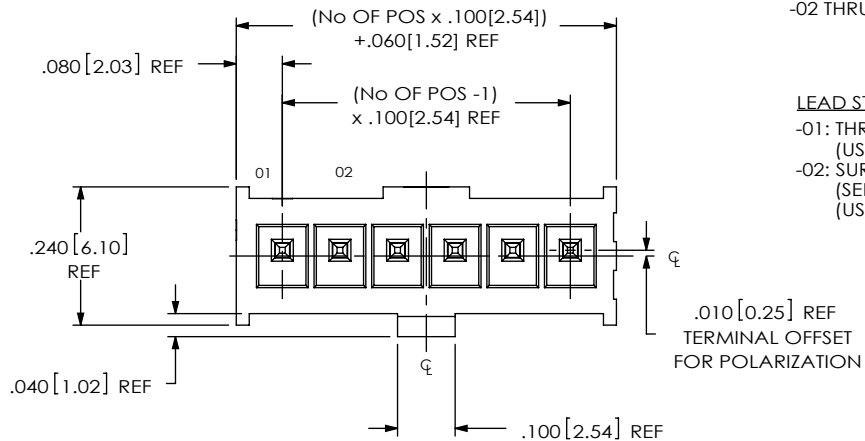
Tel: +86-755-8981 8866 Fax: +86-755-8427 6832

Email & Skype: info@chipsmall.com Web: www.chipsmall.com

Address: A1208, Overseas Decoration Building, #122 Zhenhua RD., Futian, Shenzhen, China

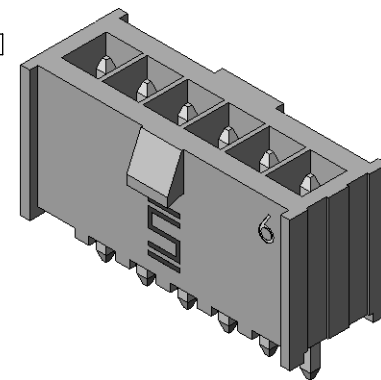
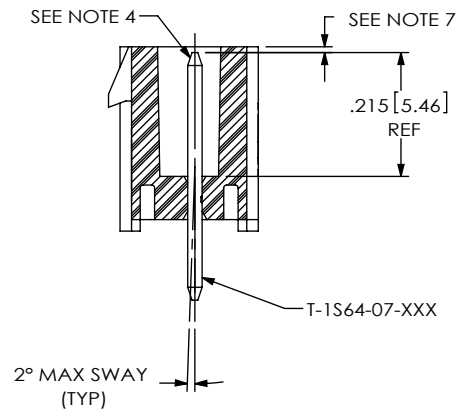
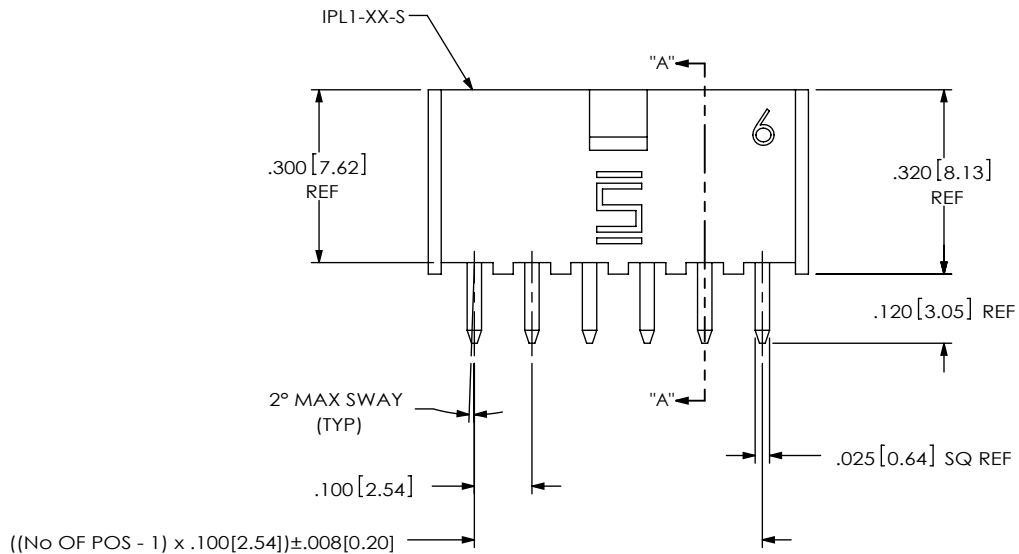


IPL1-1XX-XX-XXX-S-XX-X-XX



- No OF POSITIONS**  
-02 THRU -25
- LEAD STYLE**  
-01: THROUGH HOLE (USE T-1S64-XX-XX)  
-02: SURFACE MOUNT (SEE FIG. 2, SHT 2) (USE T-1S64-XX-XX)
- PACKAGING OPTION**  
-TR: TAPE & REEL (AVAILABLE WITH -02 LEAD STYLE ONLY) (MUST USE K-DOT-.177-.281-.005) (SEE FIG 5, SHT 3)
- POLARIZATION OPTION**  
-K: KEYED POLARIZATION (USE IPL1-XX-S-K) (SEE FIG 4, SHEET 3) (LEAVE BLANK FOR NO POLARIZATION, SAMTEC WILL ONLY SUPPORT EXISTING BUSINESS AS OF REV J)
- OPTION**  
-RA: RIGHT ANGLE (SEE FIG 3, SHT 3) (AVAILABLE WITH -01 LEAD STYLE ONLY)
- ROW SPECIFICATION**  
-S: SINGLE (USE IPL1-XX-S)
- PLATING SPECIFICATION**  
-F: FLASH SELECTIVE (USE T-1S64-XX-F)  
-L: LIGHT SELECTIVE (USE T-1S64-XX-L)  
-S: SELECTIVE (USE T-1S64-XX-S)  
-H: HEAVY GOLD (USE T-1S64-XX-H)  
-FM: FLASH SELECTIVE/MATTE TIN TAILS (USE T-1S64-XX-F)  
-LM: LIGHT SELECTIVE/MATTE TIN TAILS (USE T-1S64-XX-L)  
-SM: SELECTIVE/MATTE TIN TAILS (USE T-1S64-XX-S)  
-STL: LIGHT SELECTIVE TIN/LEAD (USE T-1S64-XX-STL)

FIG 1  
IPL1-106-01-XXX-S SHOWN




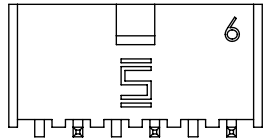
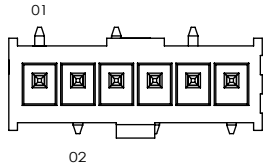
SECTION "A"- "A"

LEAD STYLE	OPTION	TERMINAL 1	OAL REF	-TR
-01	NONE	T-1S64-07-XX	.430 [10.92]	N/A
-01	-RA	T-1S64-19-XX	.545 [13.84]	N/A
-02	NONE	T-1S64-08-XX	.445 [11.30]	K-DOT-.177-.281-.005

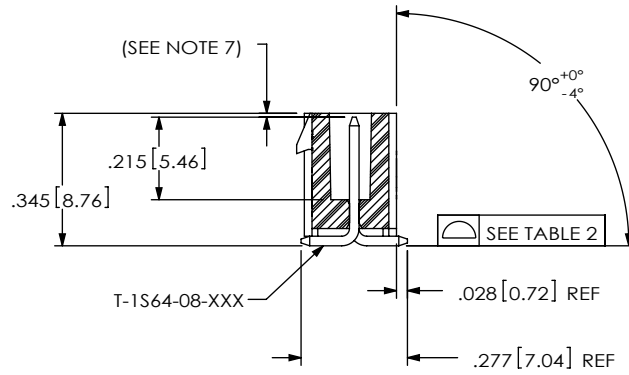
NOTES:

1. REPRESENTS A CRITICAL DIMENSION.
2. MINIMUM TERMINAL RETENTION: 1 LB [4.45 N].
3. PARTS TO BE MOLDED TO POSITION.
4. POST MUST BE WITHIN .005 [0.13] OF EACH OTHER.
5. ALL PIN TO PIN DIMENSIONS TO BE MEASURED FROM TIP TO TIP.
6. DIMENSION TO BE MEASURED AT BEND.
7. TIP TO BE FLUSH TO .015 [0.38] BELOW TOP OF SHROUD.
8. NOTE DELETED.
9. PACKAGE ALL POSITIONS.

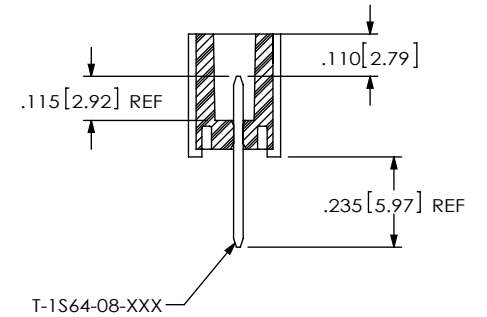
CPC FREQUENCY THIS SHEET	A	C1, C2, C3, C5	UNLESS OTHERWISE SPECIFIED, DIMENSIONS ARE IN INCHES. TOLERANCES ARE: DECIMALS ANGLES .XX: ±.01 [0.3] ± 2° .XXX: ±.005 [0.13] .XXXX: ±.0020 [0.051]	<b>PROPRIETARY NOTE</b> THIS DOCUMENT CONTAINS INFORMATION CONFIDENTIAL AND PROPRIETARY TO SAMTEC, INC. AND SHALL NOT BE REPRODUCED OR TRANSFERRED TO OTHER DOCUMENTS OR DISCLOSED TO OTHERS OR USED FOR ANY PURPOSE OTHER THAN THAT WHICH IT WAS OBTAINED WITHOUT THE EXPRESSED WRITTEN CONSENT OF SAMTEC, INC.	 520 PARK EAST BLVD, NEW ALBANY, IN 47150 PHONE: 812-944-6733 FAX: 812-948-5047 e-Mail info@SAMTEC.com code 55322		
	B	C4				<b>MATERIAL:</b> DO NOT SCALE DRAWING SHEET SCALE: 3:1 STANDARD INSULATOR: LCP UL94-V0, COLOR: BLACK -K INSULATOR: LCP UL94-V0, COLOR: NATURAL TERMINAL: PHOS BRONZE	DESCRIPTION: .100 [2.54] SINGLE ROW TERMINAL ASSEMBLY
	C						DWG. NO. IPL1-1XX-XX-XXX-S-XX-X-XX
	D						BY: D PURVIS 05/02/2005 SHEET 1 OF 3



**FIG 2**  
**STYLE -02: SURFACE MOUNT**  
 IPL1-106-02-XXX-S SHOWN  
 [DIFFERENT AS SHOWN, OTHERWISE SAME AS FIG 1]



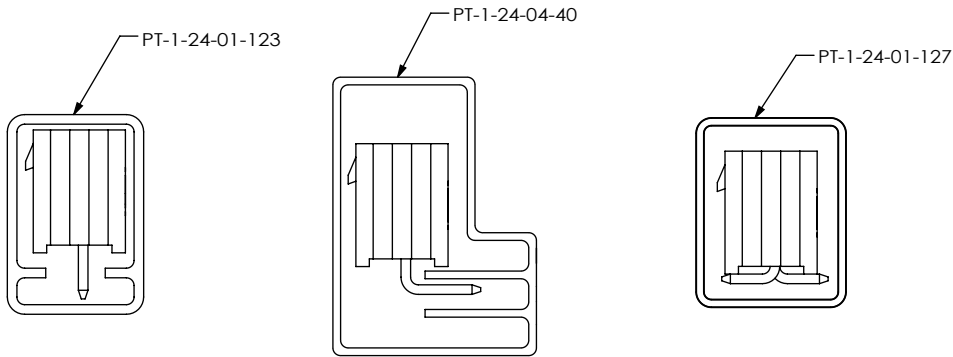
**-02: SURFACE MOUNT IN-PROCESS 1**



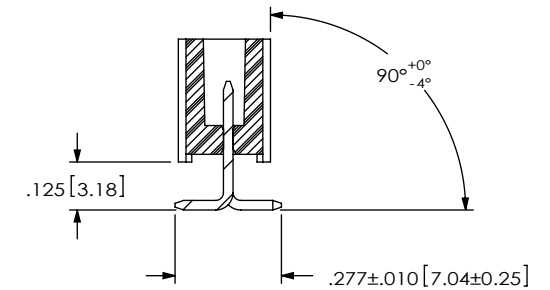
**TABLE 2**

No OF POS.	COPLANARITY
-02 THRU -05	.004[0.10]
-06 THRU -10	.005[0.13]

**PACKAGING VIEWS**  
 (PARTS TO HAVE POSITION #1 LOADED  
 IN SAME DIRECTION AS ARROW ON TUBE)



**-02: SURFACE MOUNT IN-PROCESS 2**



F:\DWG\MISC\MKTG\IPL1-1XX-XX-XXX-S-XX-X-XX-MKT.SLDDRW

PACKAGING TABLE			
LEAD STYLE	OPTION	PACKAGING TUBE	PLUG
-01	NONE	PT-1-24-01-123	TP-09
-01	-RA	PT-1-24-04-40	TP-07
-02	NONE	PT-1-24-01-127	TP-07

CPC FREQUENCY THIS SHEET	
A	
B	C6, C7, C10
C	
D	

**PROPRIETARY NOTE**  
 THIS DOCUMENT CONTAINS INFORMATION CONFIDENTIAL AND PROPRIETARY TO SAMTEC, INC. AND SHALL NOT BE REPRODUCED OR TRANSFERRED TO OTHER DOCUMENTS OR DISCLOSED TO OTHERS OR USED FOR ANY PURPOSE OTHER THAN THAT WHICH IT WAS OBTAINED WITHOUT THE EXPRESSED WRITTEN CONSENT OF SAMTEC, INC.

DO NOT SCALE DRAWING

SHEET SCALE: 2:1



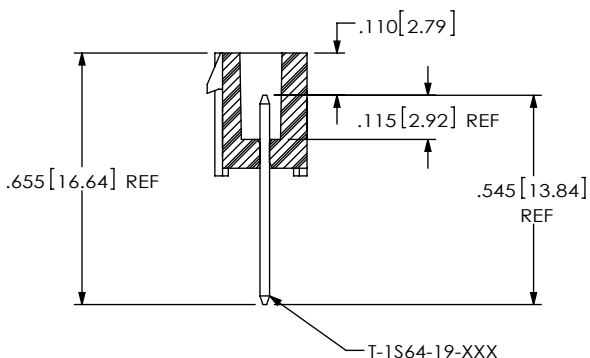
520 PARK EAST BLVD, NEW ALBANY, IN 47150  
 PHONE: 812-944-6733 FAX: 812-948-5047  
 e-Mail: info@SAMTEC.com code 55322

DESCRIPTION:  
 .100[2.54] SINGLE ROW TERMINAL ASSEMBLY

DWG. NO.  
**IPL1-1XX-XX-XXX-S-XX-X-XX**

BY: D PURVIS 05/02/2005 SHEET 2 OF 3

-RA: IN-PROCESS 1



-RA: IN-PROCESS 2

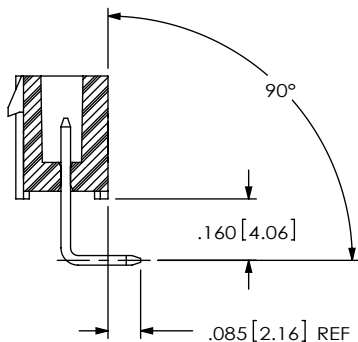


FIG 4

-K: KEYED POLARIZATION  
(IPL1-106-01-XXX-S-K SHOWN)  
(SAME AS FIG 1 UNLESS OTHERWISE STATED)

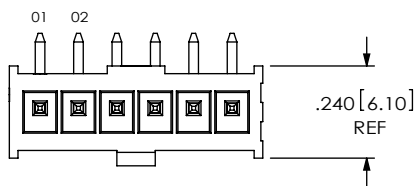
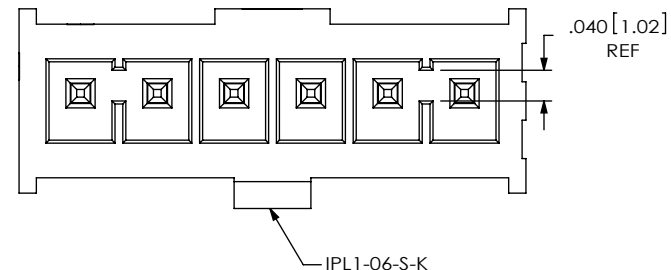
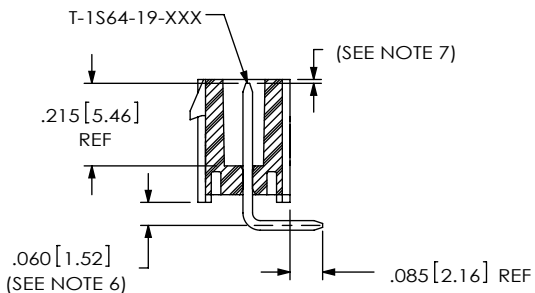
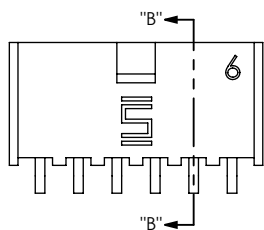


FIG 3

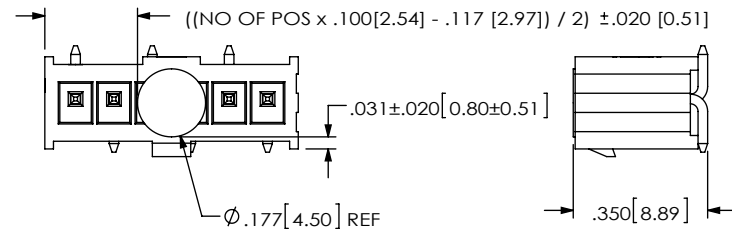
-RA: RIGHT ANGLE  
IPL1-106-01-XXX-S-RA SHOWN  
(DIFFERENT AS SHOWN, OTHERWISE SAME AS FIG 1)



SECTION "B"- "B"

FIG 5

(IPL1-106-02-XXX-S-TR SHOWN)  
(MUST USE K-DOT-177-281-.005)  
(SAME AS FIG 2, UNLESS OTHERWISE STATED)



CPC  
FREQUENCY  
THIS SHEET

A	
B	C8, C9, C11
C	
D	

**PROPRIETARY NOTE**  
THIS DOCUMENT CONTAINS INFORMATION  
CONFIDENTIAL AND PROPRIETARY TO  
SAMTEC, INC. AND SHALL NOT BE REPRODUCED  
OR TRANSFERRED TO OTHER DOCUMENTS OR  
DISCLOSED TO OTHERS OR USED FOR ANY  
PURPOSE OTHER THAN THAT WHICH IT WAS  
OBTAINED WITHOUT THE EXPRESSED WRITTEN  
CONSENT OF SAMTEC, INC.

DO NOT SCALE DRAWING  
SHEET SCALE: 2:1



520 PARK EAST BLVD, NEW ALBANY, IN 47150  
PHONE: 812-944-6733 FAX: 812-948-5047  
e-Mail: info@SAMTEC.com code 55322

DESCRIPTION:  
.100 [2.54] SINGLE ROW TERMINAL ASSEMBLY

DWG. NO.  
IPL1-1XX-XX-XXX-S-XX-X-XX

BY: D PURVIS 05/02/2005 SHEET 3 OF 3