



Chipsmall Limited consists of a professional team with an average of over 10 year of expertise in the distribution of electronic components. Based in Hongkong, we have already established firm and mutual-benefit business relationships with customers from,Europe,America and south Asia,supplying obsolete and hard-to-find components to meet their specific needs.

With the principle of “Quality Parts,Customers Priority,Honest Operation,and Considerate Service”,our business mainly focus on the distribution of electronic components. Line cards we deal with include Microchip,ALPS,ROHM,Xilinx,Pulse,ON,Everlight and Freescale. Main products comprise IC,Modules,Potentiometer,IC Socket,Relay,Connector.Our parts cover such applications as commercial,industrial, and automotives areas.

We are looking forward to setting up business relationship with you and hope to provide you with the best service and solution. Let us make a better world for our industry!



## Contact us

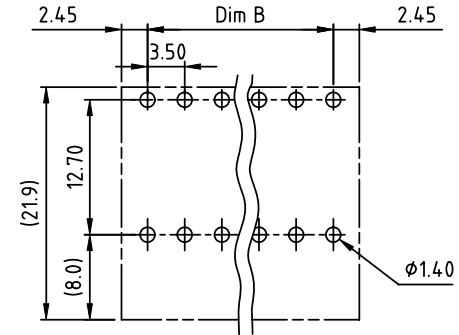
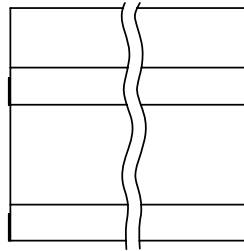
Tel: +86-755-8981 8866 Fax: +86-755-8427 6832

Email & Skype: info@chipsmall.com Web: www.chipsmall.com

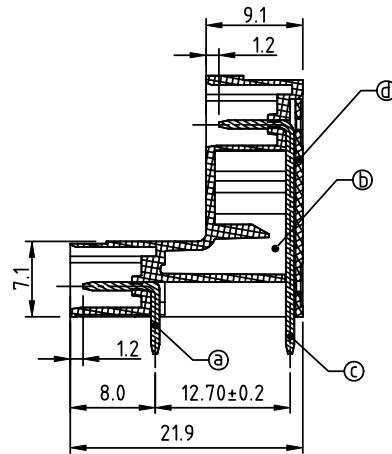
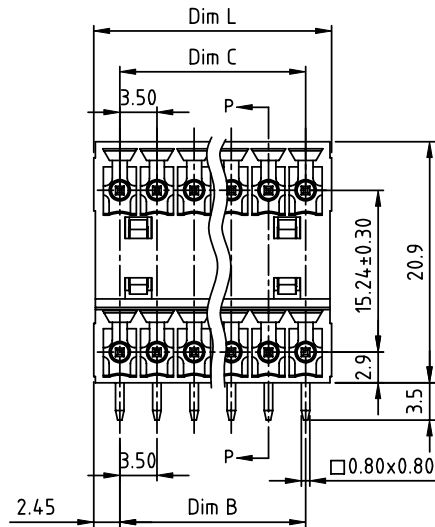
Address: A1208, Overseas Decoration Building, #122 Zhenhua RD., Futian, Shenzhen, China



PRODUCT NUMBER	PITCH
VOxx11x100J0G	3.50 mm



RECOMMENDED P.C.B LAYOUT  
TOP VIEW



SECTION P-P

Material:

- Item (a) Short pin: copper Tin plated
- Item (b) Insulator(housing):Thermoplastic (UL94V-0)
- Item (c) Long pin: copper Tin plated
- Item (d) Terminal(cover):Thermoplastic (UL94V-0)

Electrical:

- Voltage rating: 300V
- Current rating: 10A
- Withstanding Voltage: 1.6 KV
- Operating temperature: -40°C to +115°C
- Soldering temperature: 260°C±5°C/5 Sec
- Safety Approval: us

PART NO.: VO xx 11 x 1 00J0 G

N=Number of poles

Dimension	
Dim L	N/2×3.50+1.4
Dim B	(N/2-1)×3.50
Dim C	(N/2-1)×3.50

Poles	Tolerance
2×2P-2×5P	±0.15
2×6P-2×10P	±0.20
2×11P-2×15P	±0.25
2×16P-2×20P	±0.30
2×21P-2×24P	±0.35

- |              |                     |   |
|--------------|---------------------|---|
| Solid block  | Color               | RoHS compliant (lead<4%)<br>In copper Alloy |
| No. of poles | 0 Black (RAL9005)   |   |
| 04 2x2poles  | 2 Red (RAL3001/D)   |   |
| 06 2x3poles  | 3 Orange(RAL2011/P) |   |
| ... ..       | 4 Yellow(RAL1018/A) |   |
| 48 2x24poles | 5 Green(RAL6018/T)  |   |
|              | 6 Blue (RAL5015/A)  |   |
|              | 8 Grey(RAL7035/D)   |   |
|              | 9 White(RAL1102)    |   |
|              | C Green(RAL6018/U)  |   |

mat'l. code				surface ASME Y14.5	tolerance ASME Y14.5	projection 	product family TERMINAL BLOCK
ltr	ecn	no	dr	tolerances unless otherwise specified		MM	title TERMINAL BLOCK
				angles $X \pm 1^\circ$	$X.X \pm 0.3$ $X.XX \pm 0.1$		scale PLUGGABLE SOCKET,RIGHT ANGLE
				dr	EVIN ZHONG 042914		dwg no V0xx11x100J0G
				enrg	EVIN ZHONG 042914		sheet 1 of 1
				chr	HANKE FENG 042914		size A4
				appd	SHI JUN 042914		type CUSTOMER Drawing
sheet index	revision	A					
	sheet	1					