



Chipsmall Limited consists of a professional team with an average of over 10 year of expertise in the distribution of electronic components. Based in Hongkong, we have already established firm and mutual-benefit business relationships with customers from,Europe,America and south Asia,supplying obsolete and hard-to-find components to meet their specific needs.

With the principle of “Quality Parts,Customers Priority,Honest Operation,and Considerate Service”,our business mainly focus on the distribution of electronic components. Line cards we deal with include Microchip,ALPS,ROHM,Xilinx,Pulse,ON,Everlight and Freescale. Main products comprise IC,Modules,Potentiometer,IC Socket,Relay,Connector.Our parts cover such applications as commercial,industrial, and automotives areas.

We are looking forward to setting up business relationship with you and hope to provide you with the best service and solution. Let us make a better world for our industry!



Contact us

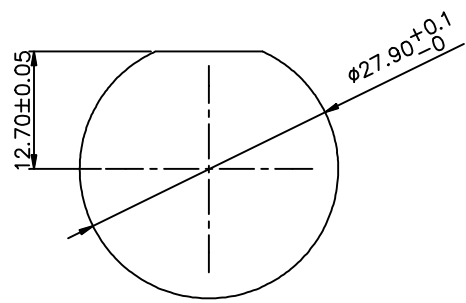
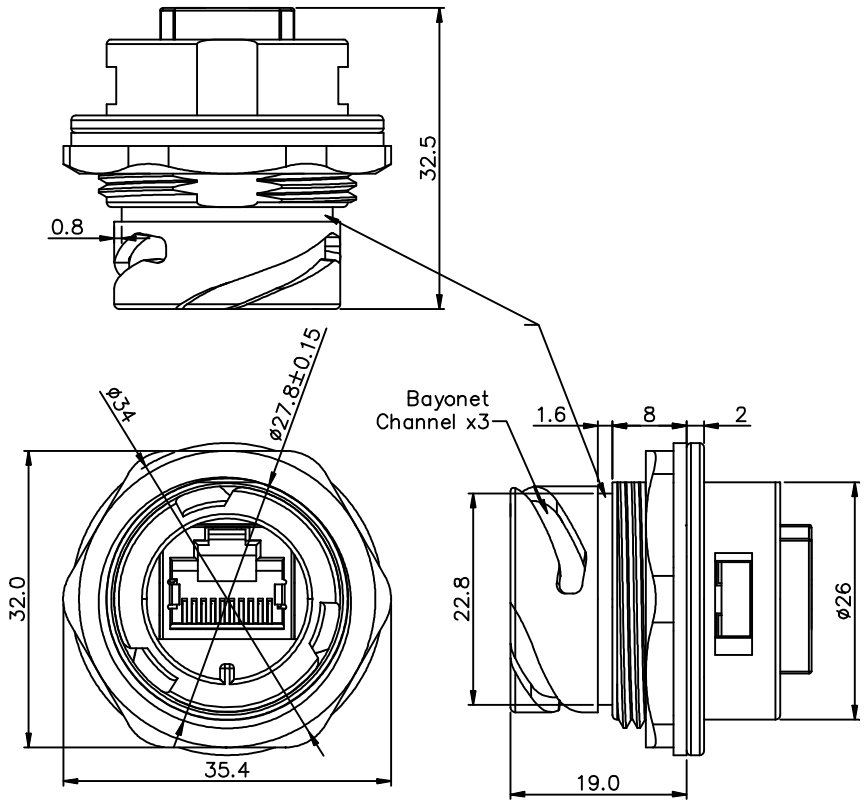
Tel: +86-755-8981 8866 Fax: +86-755-8427 6832

Email & Skype: info@chipsmall.com Web: www.chipsmall.com

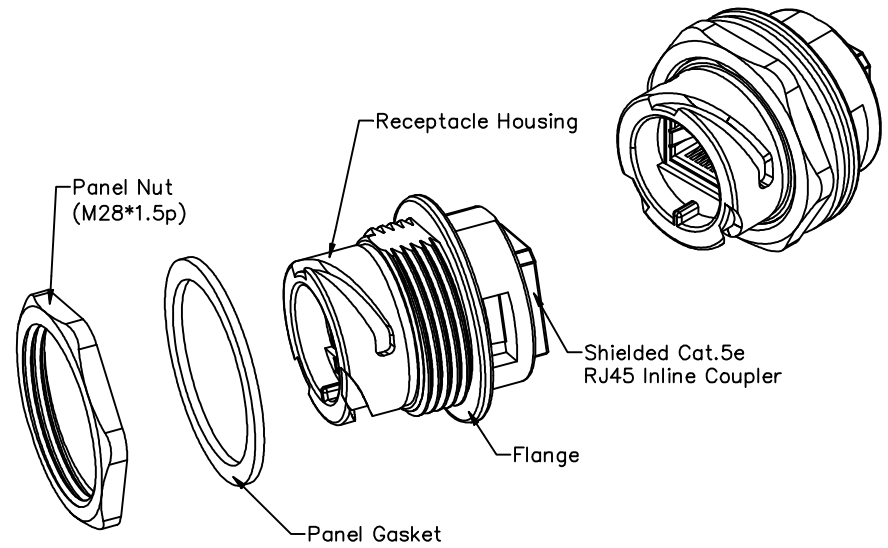
Address: A1208, Overseas Decoration Building, #122 Zhenhua RD., Futian, Shenzhen, China



DESCRIPTION:




Panel Cut-Out



Electrical Specifications:
 Meets EIA/TIA-568-B.2 Cat.5e Specification
 Contact Resistance: 20 mOhm max
 Insulation Resistance: 500 MOhm min @100V DC
 Current Rating: 1.5A max
 Voltage Rating: 100VDC
 DWV: 1000V DC/60s min Contact to Contact, 1500V DC/60s Contact to Metal Shell
 Operating Temperature: -40°C TO +85°C

Material and Finish
 Receptacle Housing: Zn Alloy 3,Nickel Plated
 Panel Nut: Copper Alloy,Nickel Plated
 Panel Gasket: Silicone
 RJ45 Jack Metal Shell: Copper Alloy,Nickel Plated
 RJ45 Jack Plastic Housing: Engineering Thermoplastic Flammability Rating UL94 V-0
 RJ45 Jack Contact: Phosphor Bronze,finish: 50u" Gold over Nickel
 Color: Black
 Connector can be front mounted to a maximum panel thickness of 3.2mm.

DO NOT SCALE FROM DRAWING

	THESE DRAWINGS AND SPECIFICATIONS ARE THE PROPERTY OF NorComp AND SHALL NOT BE REPRODUCED, COPIED OR USED AS THE BASIS FOR THE MANUFACTURE OF SALE OF APPARATUS WITHOUT WRITTEN PERMISSION.		DRAWN: M. SIGMON	DATE: 05-10-13	
			CHECKED:	DATE:	
<h1>NorComp</h1>			SCALE: N.T.S.	SHEET 1 OF 1	REV 2
			DWG NO. IPRJCONN-M		

RoHS COMPLIANT