



Chipsmall Limited consists of a professional team with an average of over 10 year of expertise in the distribution of electronic components. Based in Hongkong, we have already established firm and mutual-benefit business relationships with customers from,Europe,America and south Asia,supplying obsolete and hard-to-find components to meet their specific needs.

With the principle of “Quality Parts,Customers Priority,Honest Operation,and Considerate Service”,our business mainly focus on the distribution of electronic components. Line cards we deal with include Microchip,ALPS,ROHM,Xilinx,Pulse,ON,Everlight and Freescale. Main products comprise IC,Modules,Potentiometer,IC Socket,Relay,Connector.Our parts cover such applications as commercial,industrial, and automotives areas.

We are looking forward to setting up business relationship with you and hope to provide you with the best service and solution. Let us make a better world for our industry!



## Contact us

Tel: +86-755-8981 8866 Fax: +86-755-8427 6832

Email & Skype: info@chipsmall.com Web: www.chipsmall.com

Address: A1208, Overseas Decoration Building, #122 Zhenhua RD., Futian, Shenzhen, China



PART NAME

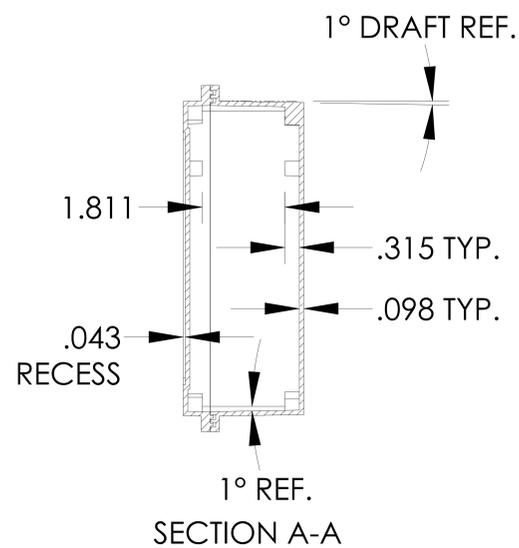
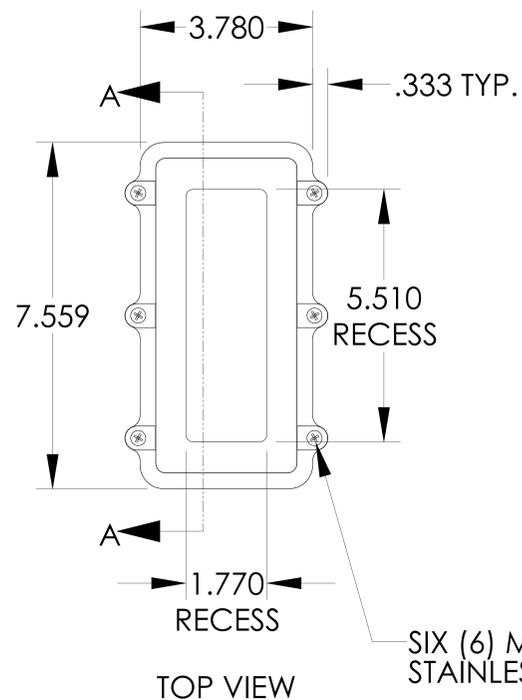
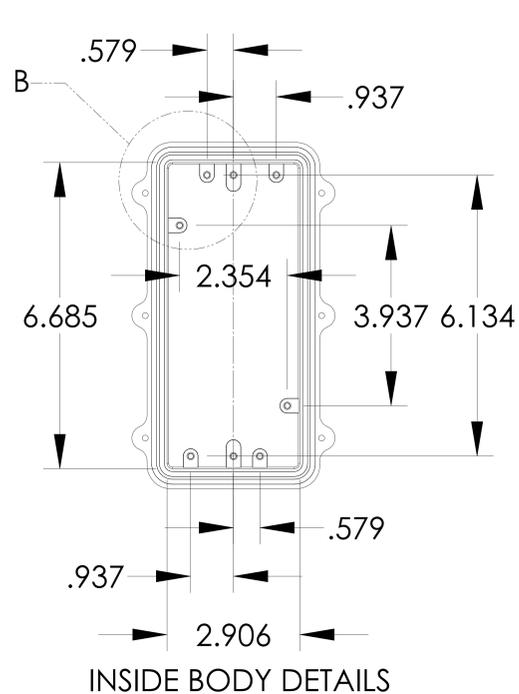
IP67 SERIES NEMA DIE CAST ALUMINUM BOX

PART No.

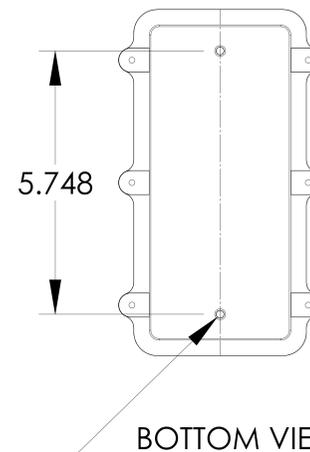
IPS-3907

REVISION DATE

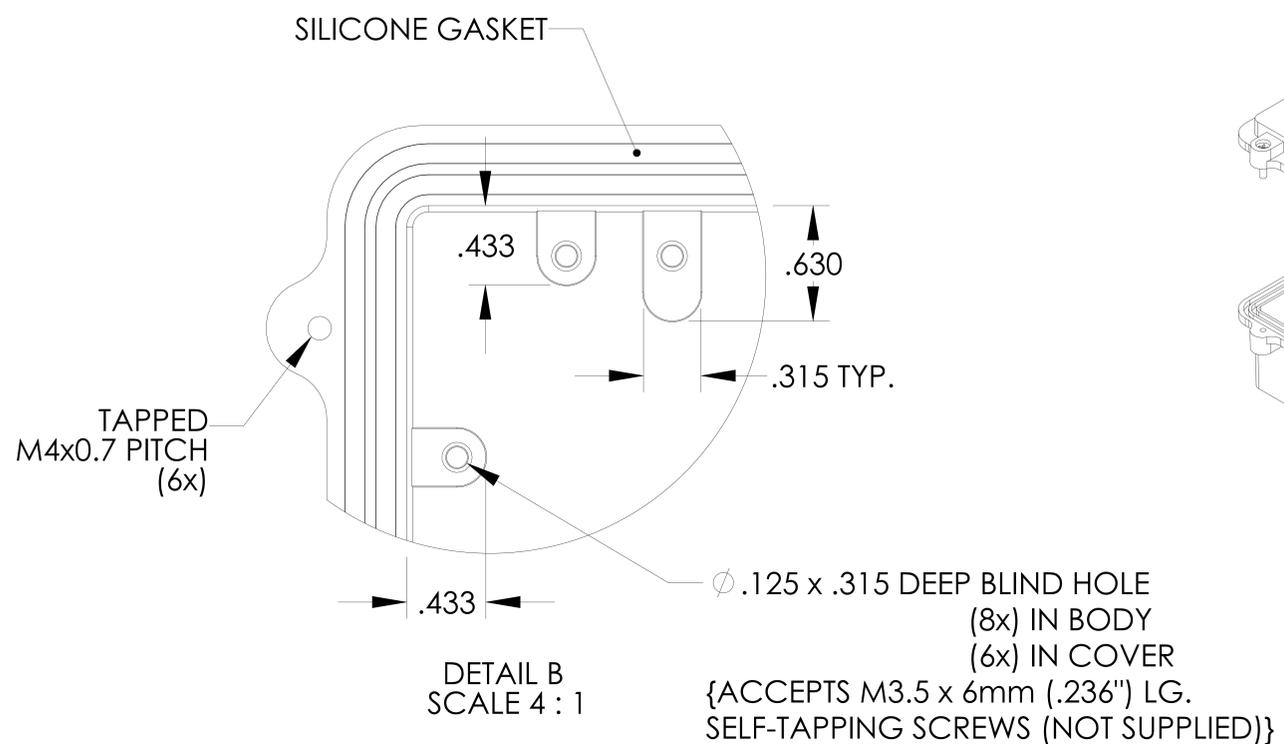
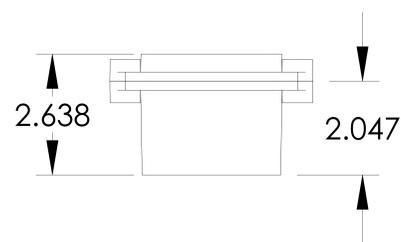
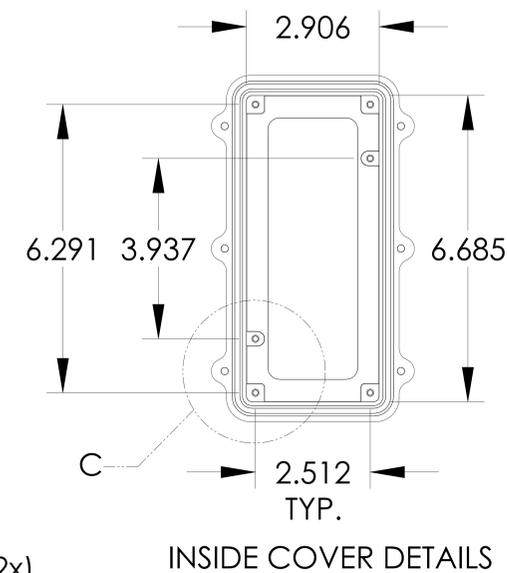
1/21/2011



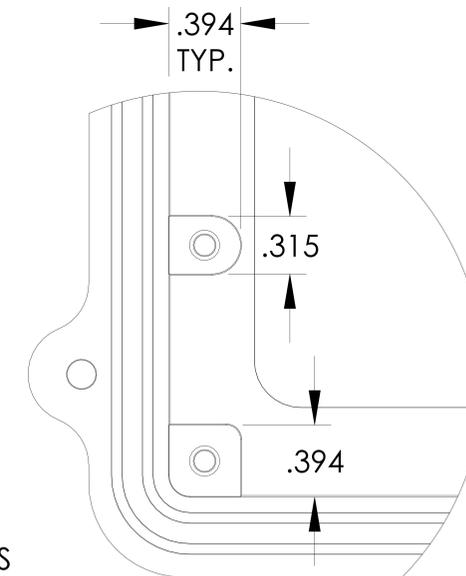
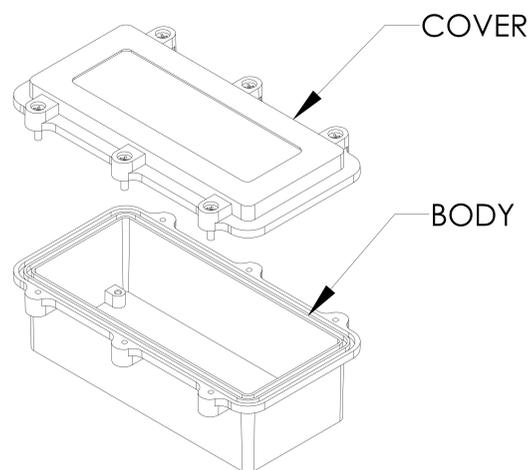
SIX (6) M4x0.7 PITCH x 20mm (.787") LG. STAINLESS STEEL CAPTIVE SCREWS



Ø .176 x .315 DEEP BLIND HOLE (2x)  
 {ACCEPTS M5 x 10mm (.394") LG. SELF-TAPPING SCREWS (NOT SUPPLIED)}



Ø .125 x .315 DEEP BLIND HOLE (8x) IN BODY (6x) IN COVER  
 {ACCEPTS M3.5 x 6mm (.236") LG. SELF-TAPPING SCREWS (NOT SUPPLIED)}



MEETS NEMA 1, 2, 4, 4X, 12, 13 AND IP67 RATINGS  
 MATERIAL - ALUMINUM ALLOY ADC-12  
 FINISH - NATURAL  
 TOLERANCES: ALL HOLE DIAMETERS ±.005  
 ALL OTHER DIMENSIONS ±.015