



Chipsmall Limited consists of a professional team with an average of over 10 year of expertise in the distribution of electronic components. Based in Hongkong, we have already established firm and mutual-benefit business relationships with customers from,Europe,America and south Asia,supplying obsolete and hard-to-find components to meet their specific needs.

With the principle of “Quality Parts,Customers Priority,Honest Operation,and Considerate Service”,our business mainly focus on the distribution of electronic components. Line cards we deal with include Microchip,ALPS,ROHM,Xilinx,Pulse,ON,Everlight and Freescale. Main products comprise IC,Modules,Potentiometer,IC Socket,Relay,Connector.Our parts cover such applications as commercial,industrial, and automotives areas.

We are looking forward to setting up business relationship with you and hope to provide you with the best service and solution. Let us make a better world for our industry!



Contact us

Tel: +86-755-8981 8866 Fax: +86-755-8427 6832

Email & Skype: info@chipsmall.com Web: www.chipsmall.com

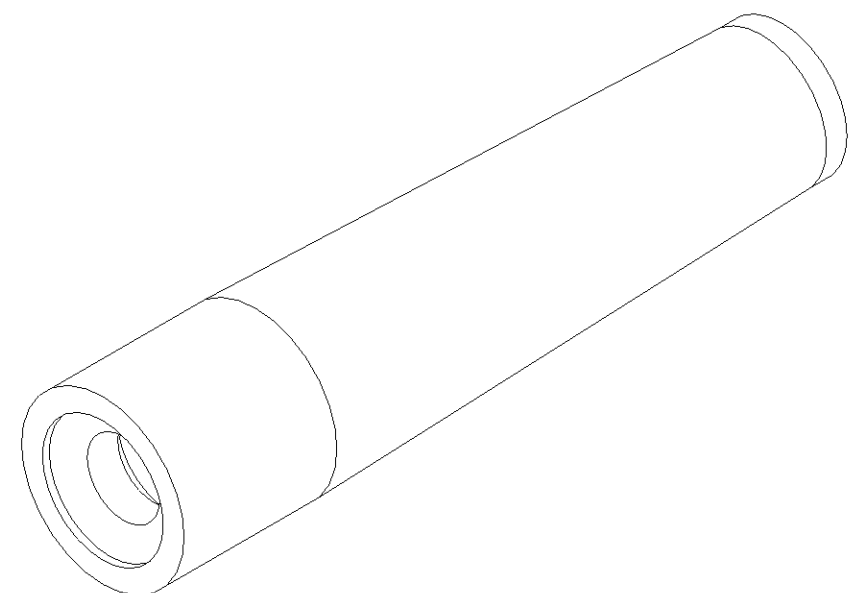
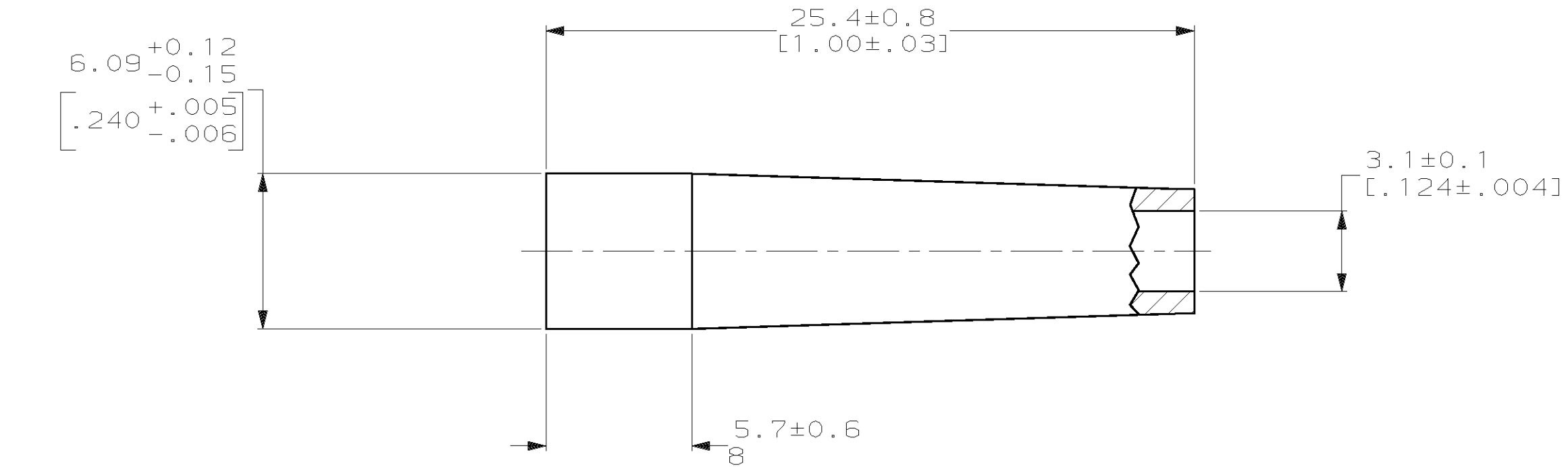
Address: A1208, Overseas Decoration Building, #122 Zhenhua RD., Futian, Shenzhen, China



THIS DRAWING IS UNPUBLISHED. RELEASED FOR PUBLICATION, 19 .
 © COPYRIGHT 19 BY AMP INCORPORATED. ALL INTERNATIONAL RIGHTS RESERVED.

LOC	DIST	P	F	ZONE	LTR	DESCRIPTION	DATE	APPD
CE	16				G	REVISED PER 0A00-0546-00	19JUL00	TA/SB

1. DIMENSIONS IN [] ARE IN INCHES.
 2 BULK PACKAGED, 100 PCS.



2	ORANGE	1-501457-7
2	APC GREEN	1-501457-5
2	WHITE	1-501457-3
2	BLUE	1-501457-2
2	BEIGE	1-501457-1
2	RED	1-501457-0
2	YELLOW	501457-9
2	BLACK	501457-8
	COLOR	PART NUMBER

DO NOT SCALE PRINT. UNLESS SPECIFIED DIMENSIONS IN INCHES TOLERANCES ON: 2 PLC DEC ± - 3 PLC DEC ± - ANGLES ± -	DR R.HILEMAN 2-16-90 CHK F.ANTONICELLI 2-16-90 APPD F.ANTONICELLI 2-16-90 APPD D.COLLINS 2-16-90
MATERIAL THERMOPLASTIC ELASTOMER	PRODUCT SPEC -
FINISH -	APPLICATION SPEC -
	WEIGHT -

AMP INCORPORATED Harrisburg, Pa. 17105		
NAME BOOT, STRAIN RELIEF, 2.5mm BAYONET, OPTIMATE®		
SIZE B	FSCM NO 00779	DRAWING NO 501457
SCALE 5:1	SHEET 1 OF 1	

METRIC