



Chipsmall Limited consists of a professional team with an average of over 10 year of expertise in the distribution of electronic components. Based in Hongkong, we have already established firm and mutual-benefit business relationships with customers from,Europe,America and south Asia,supplying obsolete and hard-to-find components to meet their specific needs.

With the principle of “Quality Parts,Customers Priority,Honest Operation,and Considerate Service”,our business mainly focus on the distribution of electronic components. Line cards we deal with include Microchip,ALPS,ROHM,Xilinx,Pulse,ON,Everlight and Freescale. Main products comprise IC,Modules,Potentiometer,IC Socket,Relay,Connector.Our parts cover such applications as commercial,industrial, and automotives areas.

We are looking forward to setting up business relationship with you and hope to provide you with the best service and solution. Let us make a better world for our industry!



## Contact us

Tel: +86-755-8981 8866 Fax: +86-755-8427 6832

Email & Skype: info@chipsmall.com Web: www.chipsmall.com

Address: A1208, Overseas Decoration Building, #122 Zhenhua RD., Futian, Shenzhen, China



# IPSAT Series

## Intrinsically Safe Pressure Transducer



**Approvals:-**  
ATEX / IECEx  
II 1G Ex ia IIC T4 Ga (Ta -see schedule)



- **Piezo-resistive thick film ceramic sensor**
- **Stainless steel body**
- **Accuracy  $<\pm 0.25\%$  FS BFSL**
- **Pressure ranges from -1 to 400 bar**

The IPSAT series is ideally suited for use in a wide range of industrial applications in hazardous areas. The probe uses a piezo-resistive ceramic sensor, giving excellent media compatibility within a stainless steel housing

The electronics incorporate a microprocessor based amplifier, requiring no adjusting and giving stable electronics, especially industrial applications.

Each device is temperature compensated, calibrated and supplied with a traceable serial number and calibration data.



Electrical Protection		Performance	
Supply reverse polarity	No damage but also no function	Accuracy (Non-Linearity & Hysteresis)	$<\pm 0.25\%$ / FS (BFSL)
Electromagnetic compatibility	CE Compliant	Setting Errors (offsets)	Zero & Full Scale, $<\pm 0.5\%$ / FS
Mechanical Stability		Material Specifications	
Shock	100g / 11s	Housing	316 Stainless Steel
Vibration	10g RMS (20 - 2000Hz)	"O" ring seals	Viton
Environment & Thermal Effects		Diaphragm	Ceramic Al <sub>2</sub> O <sub>3</sub> 96%
Ambient Temperature Range	-20°C to +75°C	Media wetted parts	Housing & connection, "O" ring seal, diaphragm
Storage temperature	-20°C to +80°C	Weight	Approx 100g
Compensated temperature range	+20°C to +80°C	Installation position	Any
Thermal Zero Shift (TZS)	$<\pm 0.04\%$ /FS/°C	Operational Life	$> 100 \times 10^6$ cycles
Thermal Span Shift	$<\pm 0.015\%$ /°C	Insulation resistance	$> 50\text{M}\Omega$ at 50Vdc
Permissible environment	Zone 0		

Pressure Ranges										
Nominal Pressure, Gauge,	bar	1	2	5	10	20	50	100	250	400
Compound range	bar	-1 to 0	-1 to 2	-1 to 5	-1 to 9	-1 to 19	-1 to 24			
Permissible Overpressure	bar	2	4	10	20	40	100	200	400	650
Burst Pressure	bar	4	5	12	25	50	120	250	500	650

Output Signal and Supply Voltage					
Wire system	Output	Supply Voltage	Connection	Pin Nos	
2-wire	4-20mA	10-28Vdc	+ve Supply	Pin 1	-ve Supply Pin 2 Ground Earth Pin

Cynergy3 Components Ltd.  
7 Cobham Road  
Ferndown Industrial Estate  
Wimborne, Dorset BH21 7PE  
Telephone +44 (0) 1202 897969  
Email:sales@cynergy3.com



ISO9001 CERTIFIED  
IPSAT 2017

Made in the UK

www.cynergy3.com



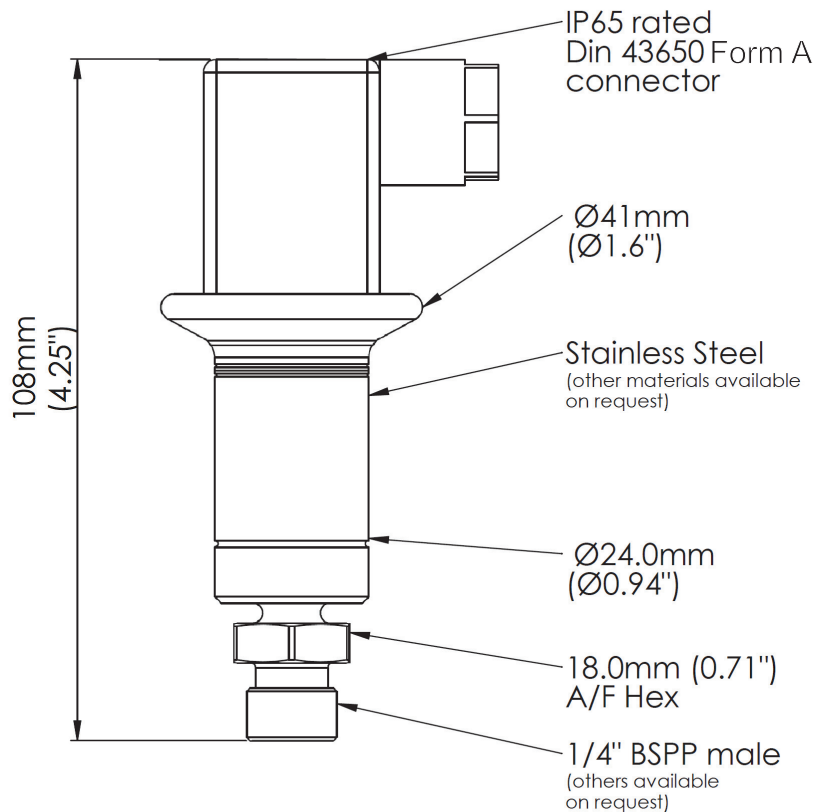
# IPSAT Series

## Intrinsically Safe Pressure Transducer



Part Number	Pressure Rating
IPSAT-G1000-5	0 - 1 Bar G
IPSAT-G6000-5	0 - 6 Bar G
IPSAT-GM1P9-5	-1 to +9 Bar G
IPSAT-G1002-5	0 - 10 Bar G
IPSAT-G1602-5	0 - 16 bar G
IPSAT-C0184-5	-1 to +24 Bar G
IPSAT-G2502-5	0 - 25 Bar G
IPSAT-G4002-5	0 - 40 Bar G
IPSAT-G1003-5	0 - 100 Bar G
IPSAT-G2503-5	0 - 250 Bar G
IPSAT-G4003-5	0 - 400 Bar G

### Mechanical Dimensions



Cynergy3 Components Ltd.  
 7 Cobham Road  
 Ferndown Industrial Estate  
 Wimborne, Dorset BH21 7PE  
 Telephone +44 (0) 1202 897969

Email: sales@cynergy3.com

ISO9001 CERTIFIED



www.cynergy3.com