



Chipsmall Limited consists of a professional team with an average of over 10 year of expertise in the distribution of electronic components. Based in Hongkong, we have already established firm and mutual-benefit business relationships with customers from,Europe,America and south Asia,supplying obsolete and hard-to-find components to meet their specific needs.

With the principle of “Quality Parts,Customers Priority,Honest Operation,and Considerate Service”,our business mainly focus on the distribution of electronic components. Line cards we deal with include Microchip,ALPS,ROHM,Xilinx,Pulse,ON,Everlight and Freescale. Main products comprise IC,Modules,Potentiometer,IC Socket,Relay,Connector.Our parts cover such applications as commercial,industrial, and automotives areas.

We are looking forward to setting up business relationship with you and hope to provide you with the best service and solution. Let us make a better world for our industry!



Contact us

Tel: +86-755-8981 8866 Fax: +86-755-8427 6832

Email & Skype: info@chipsmall.com Web: www.chipsmall.com

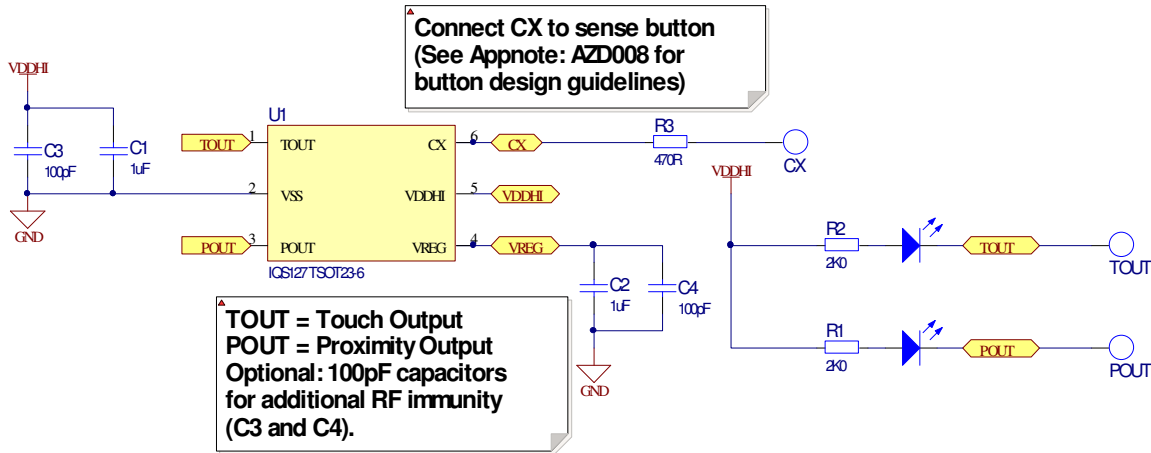
Address: A1208, Overseas Decoration Building, #122 Zhenhua RD., Futian, Shenzhen, China



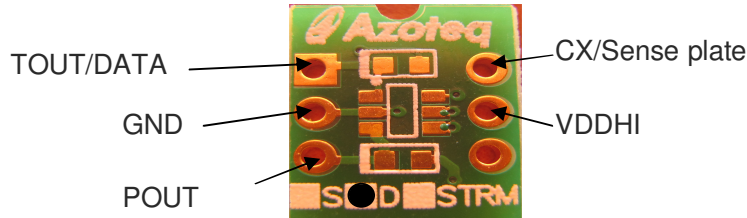


IQS127D on AZP112A05 Connection Guide

1 IQS127D on AZP112A05

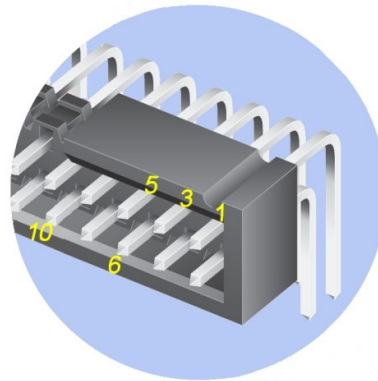


2 PCboard (AZP112A05)



3 CT-Tool Connections

| IQS127 pins | CT200 / CT220 pins | |
|-------------|--------------------|-----------|
| | Programming | Streaming |
| GND | 1 | 1 |
| VDDHI | 3 | 3 |
| POUT | 5 | |
| CX | 6 | |
| TOUT/DATA | | 10 |





The IQS127 ProxSense® IC is a fully integrated capacitive sensor device in 3 varieties:

- IQS127D:** Dual outputs (Touch button AND Proximity sensor).
- IQS127S:** Touch button OR Proximity sensor incorporating a Driven Shield.
- IQS127C:** Touch and Proximity sensor for metal overlays.

Features

- Automatic **Antenna Tuning Implementation (ATI)** - Automatic adjustment for optimal performance.
- Internal **Capacitor Implementation (ICI)** – reference capacitor on-chip
- Low Power, suitable for battery applications
- Supply voltage: 2.95V to 5.5V
- Advanced on-chip digital signal processing
- User selectable:
 - 4 Power Modes (13uA min)
 - IO sink / source
 - Time-out for stuck key
 - Output mode (Direct / Latch / Toggle)
 - Proximity and Touch Button sensitivity settings
- Minimum external components
- Keys:
 - Touch: 5mm x 5mm or larger (overlay thickness dependent)
 - Proximity: Various electrical options (wire / PCB trace / ITO / conductive foil)
 - Dielectric: Various non-metal materials (i.e. glass, plastic, painted surfaces)
 - Dielectric thickness: 6 mm plastic, 10 mm glass
- 1-Wire data streaming

Contact Information

Please visit www.azoteq.com for comprehensive datasheets, application notes, reference designs and a list of distributors for your region.