



Chipsmall Limited consists of a professional team with an average of over 10 year of expertise in the distribution of electronic components. Based in Hongkong, we have already established firm and mutual-benefit business relationships with customers from,Europe,America and south Asia,supplying obsolete and hard-to-find components to meet their specific needs.

With the principle of “Quality Parts,Customers Priority,Honest Operation,and Considerate Service”,our business mainly focus on the distribution of electronic components. Line cards we deal with include Microchip,ALPS,ROHM,Xilinx,Pulse,ON,Everlight and Freescale. Main products comprise IC,Modules,Potentiometer,IC Socket,Relay,Connector.Our parts cover such applications as commercial,industrial, and automotives areas.

We are looking forward to setting up business relationship with you and hope to provide you with the best service and solution. Let us make a better world for our industry!



Contact us

Tel: +86-755-8981 8866 Fax: +86-755-8427 6832

Email & Skype: info@chipsmall.com Web: www.chipsmall.com

Address: A1208, Overseas Decoration Building, #122 Zhenhua RD., Futian, Shenzhen, China





IQS231AEV02 Quick start guide

Single Channel Capacitive Proximity/Touch/SAR Controller with movement detection

The IQS231A ProxSense[®] IC is a self-capacitance controller designed for SAR applications where a reliable proximity detection function is required along with human and inanimate object distinction. The IQS231A uses quick release and movement detection to achieve this. The IQS231A operates standalone or I²C can be configured via OTP (One Time Programmable) bits. The IC is also available in DFN10 (3x3) package and WLCSP (0.9x1.5).

1 Reference design and pin layout

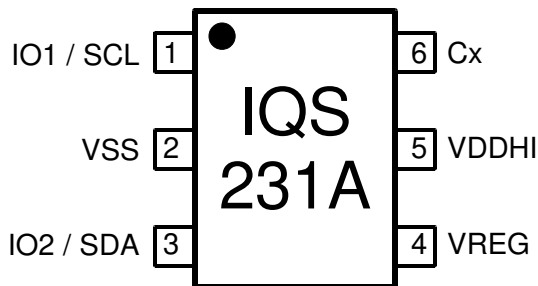


Figure 1.1 TSOT23-6 Pin layout

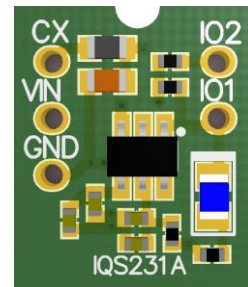


Figure 1.2 IQS231AEV01

Table 1.1 Pin-out description

IQS231A in TSOT23-6			
Pin	Name	Type	Function
1	IO1 / SCL	Digital Input / Output	Multifunction IO1 / SCL (I ² C Clock signal)
2	VSS	Signal GND	
3	IO2 / SDA	Digital Input / Output	Multifunction IO2 / SDA (I ² C Data output)
4	VREG	Regulator output	Requires external capacitor
5	VDDHI	Supply Input	Supply: 1.8V – 3.3V
6	Cx	Sense electrode	Connect to conductive area intended for sensor

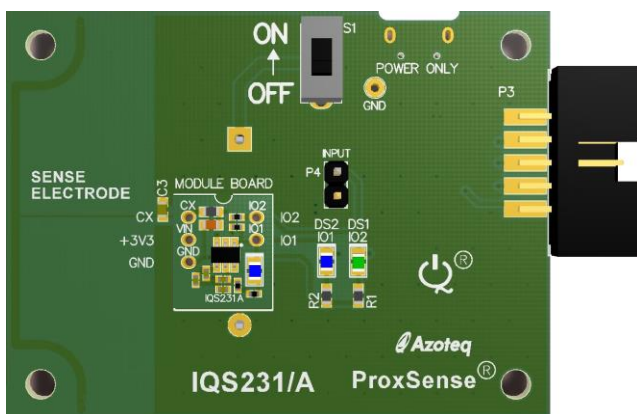


Figure 1.2 IQS231AEV02

Table 1.2 Multifunction pin descriptions

Multifunction pin name	Multifunction pin option
IO1	Proximity output / Proximity output with heartbeat
IO2	Sensitivity input / Synchronization input / Movement output / Touch output

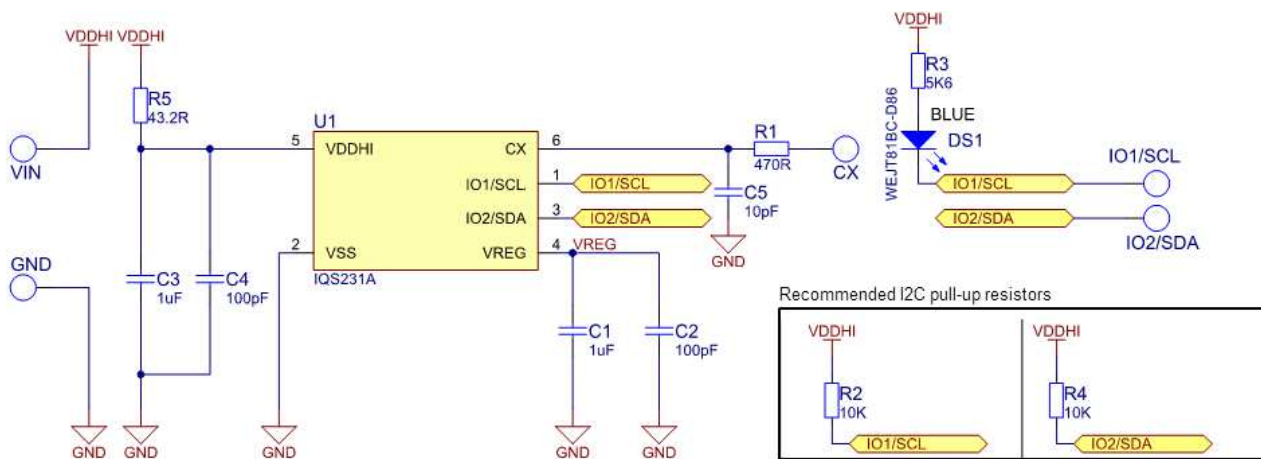


Figure 1.3 Reference design

2 Configuration information

- Default config (**IQS231A 00000000 TSR**): Standalone operation mode
- Default EV02 config (**IQS231A 31313000 TSR**): Standalone operation mode
- Alternative config (**IQS231A 00004000 TSR**): I2C mode

External configuration options are available when using the IQS231A in standalone mode. OTP configuration of the devices allow for different functionality of IO2 multifunction pin.

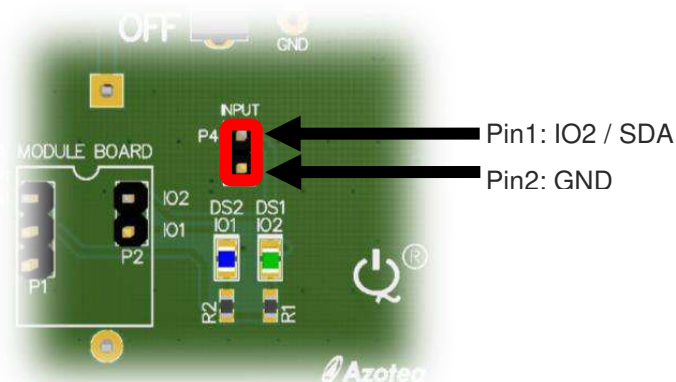


Table 2.2 Standalone mode IO2 input configuration options

IQS231A 31313000 TSR	Default settings for EV02. The modules supplied are programmed to show movement output on green LED, no movement time-out 10seconds, quick release time-out 2seconds.
IQS231A 00000000 TSR	Sensitivity adjustment input on IO2 <ul style="list-style-type: none"> • P4 pin1 floating (internal pull-up on IO2): Less sensitive • P4 pin1 connected to pin2 = GND: More sensitive

3 Evaluation and configuration

Different UI's can be selected in the IQS231A GUI and can then be selected to run in standalone mode.

The GUI is available for download from the Software & Tools section of azoteq.com and the **CT210** (sold separately) is used in conjunction with the GUI to select the different UI's and settings.

Using **USBProg** the IQS231A can be configured in different variations. Please note when settings are programmed it is permanent