



Chipsmall Limited consists of a professional team with an average of over 10 year of expertise in the distribution of electronic components. Based in Hongkong, we have already established firm and mutual-benefit business relationships with customers from,Europe,America and south Asia,supplying obsolete and hard-to-find components to meet their specific needs.

With the principle of “Quality Parts,Customers Priority,Honest Operation,and Considerate Service”,our business mainly focus on the distribution of electronic components. Line cards we deal with include Microchip,ALPS,ROHM,Xilinx,Pulse,ON,Everlight and Freescale. Main products comprise IC,Modules,Potentiometer,IC Socket,Relay,Connector.Our parts cover such applications as commercial,industrial, and automotives areas.

We are looking forward to setting up business relationship with you and hope to provide you with the best service and solution. Let us make a better world for our industry!



Contact us

Tel: +86-755-8981 8866 Fax: +86-755-8427 6832

Email & Skype: info@chipsmall.com Web: www.chipsmall.com

Address: A1208, Overseas Decoration Building, #122 Zhenhua RD., Futian, Shenzhen, China





IQS620EV04 Overview

Combination sensor with dual channel capacitive proximity/touch, Hall-effect sensor and inductive sensing

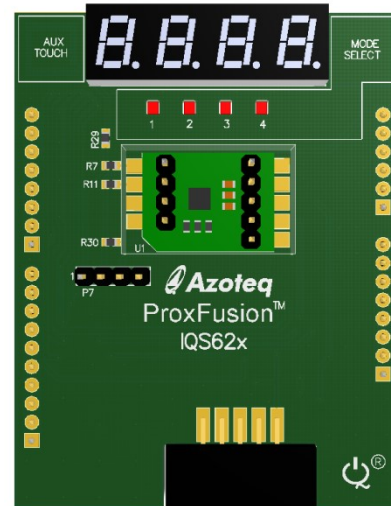
The IQS620 ProxFusion™ IC is a multifunctional capacitance, Hall-effect & inductance sensor designed for applications where any or all of the technologies may be required. The IQS620 is an ultra-low power solution designed for short or long term activations through any of the sensing channels. The IQS620 is fully I²C compatible and can be configured to output main trigger events on GPIOs.

EV-Kit Overview

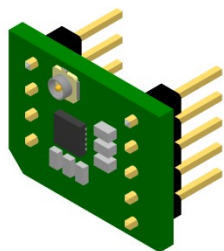
- Inductive sensing
- Hall-effect sensing
- Capacitive sensing

Evaluation Modes

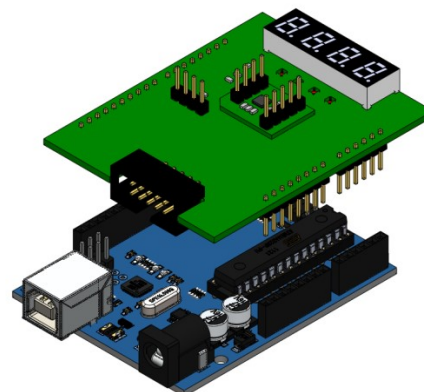
- Connect to PC GUI via CT210/CT210A USB Dongle¹ or DS100 (included)
 - Raw info displayed in GUI
- Plug into Arduino Uno¹ or ST Nucleo¹
 - Arduino operation described in IQS620EV03 user guide
 - Sensor info displayed on 7-segment
 - Open source code for custom development
- Embed the small module PCB (stamp) into custom design & interface to host MCU (Additional modules sold separately as IQS620EV01)



IQS620EV04 Shield Board



Detachable Stamp Module



IQS620 Shield + Arduino Uno¹

Applications

- Mobile electronics (phones/tablets)
- SAR safety requirements for laptops, tablets and phones
- Wearable devices
- White goods and appliances
- Human Interface Devices
- Proximity activated backlighting
- Applications with long-term activation
- Aftermarket automotive²

¹ Sold separately

² The part is not automotive qualified