



Chipsmall Limited consists of a professional team with an average of over 10 year of expertise in the distribution of electronic components. Based in Hongkong, we have already established firm and mutual-benefit business relationships with customers from,Europe,America and south Asia,supplying obsolete and hard-to-find components to meet their specific needs.

With the principle of “Quality Parts,Customers Priority,Honest Operation,and Considerate Service”,our business mainly focus on the distribution of electronic components. Line cards we deal with include Microchip,ALPS,ROHM,Xilinx,Pulse,ON,Everlight and Freescale. Main products comprise IC,Modules,Potentiometer,IC Socket,Relay,Connector.Our parts cover such applications as commercial,industrial, and automotives areas.

We are looking forward to setting up business relationship with you and hope to provide you with the best service and solution. Let us make a better world for our industry!



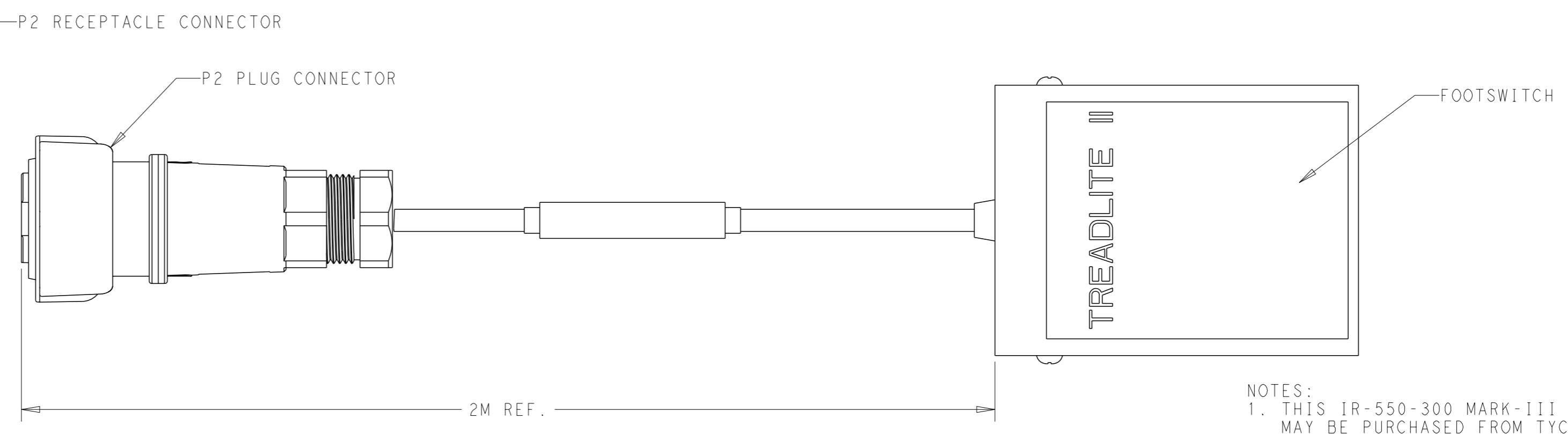
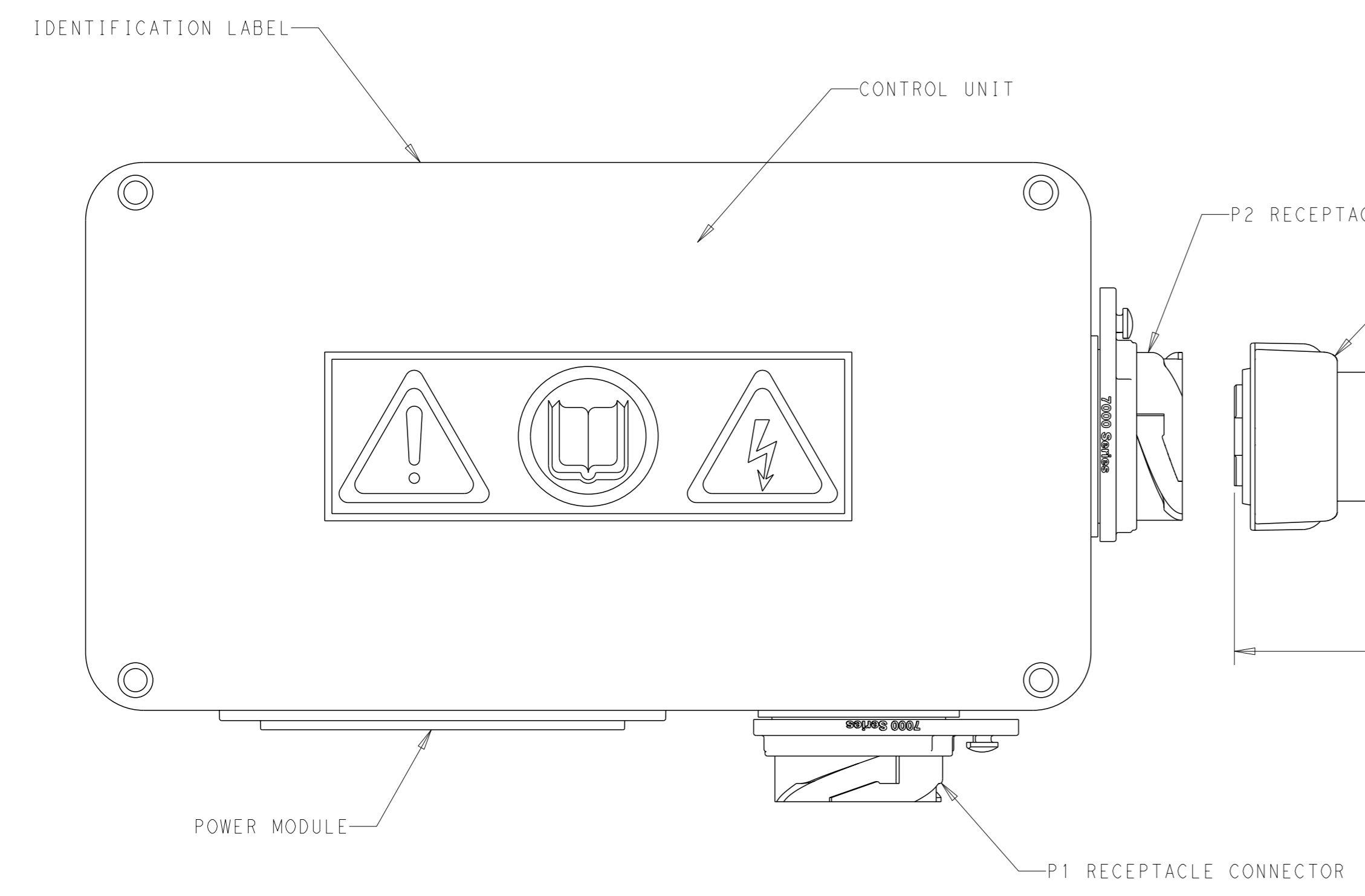
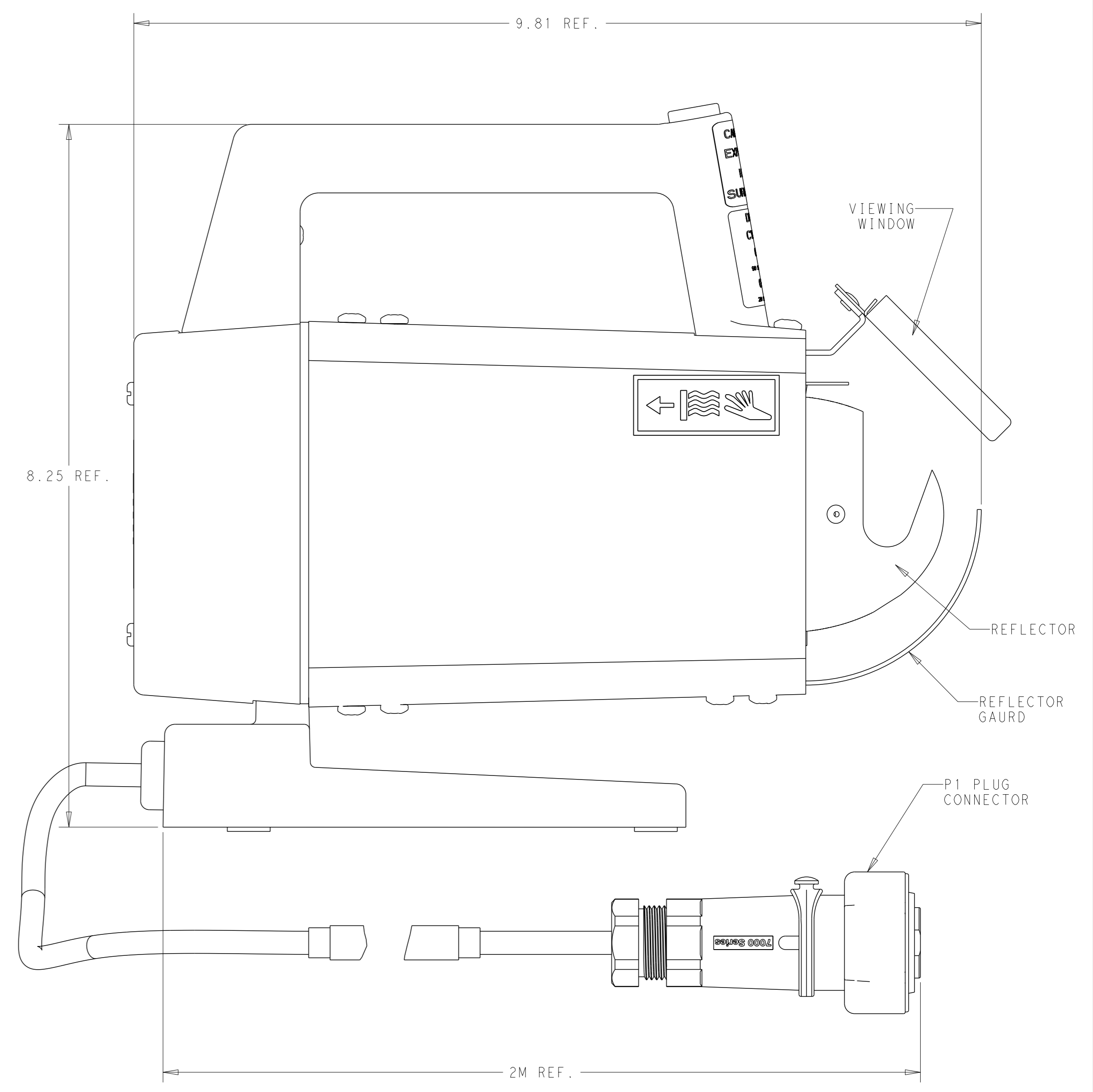
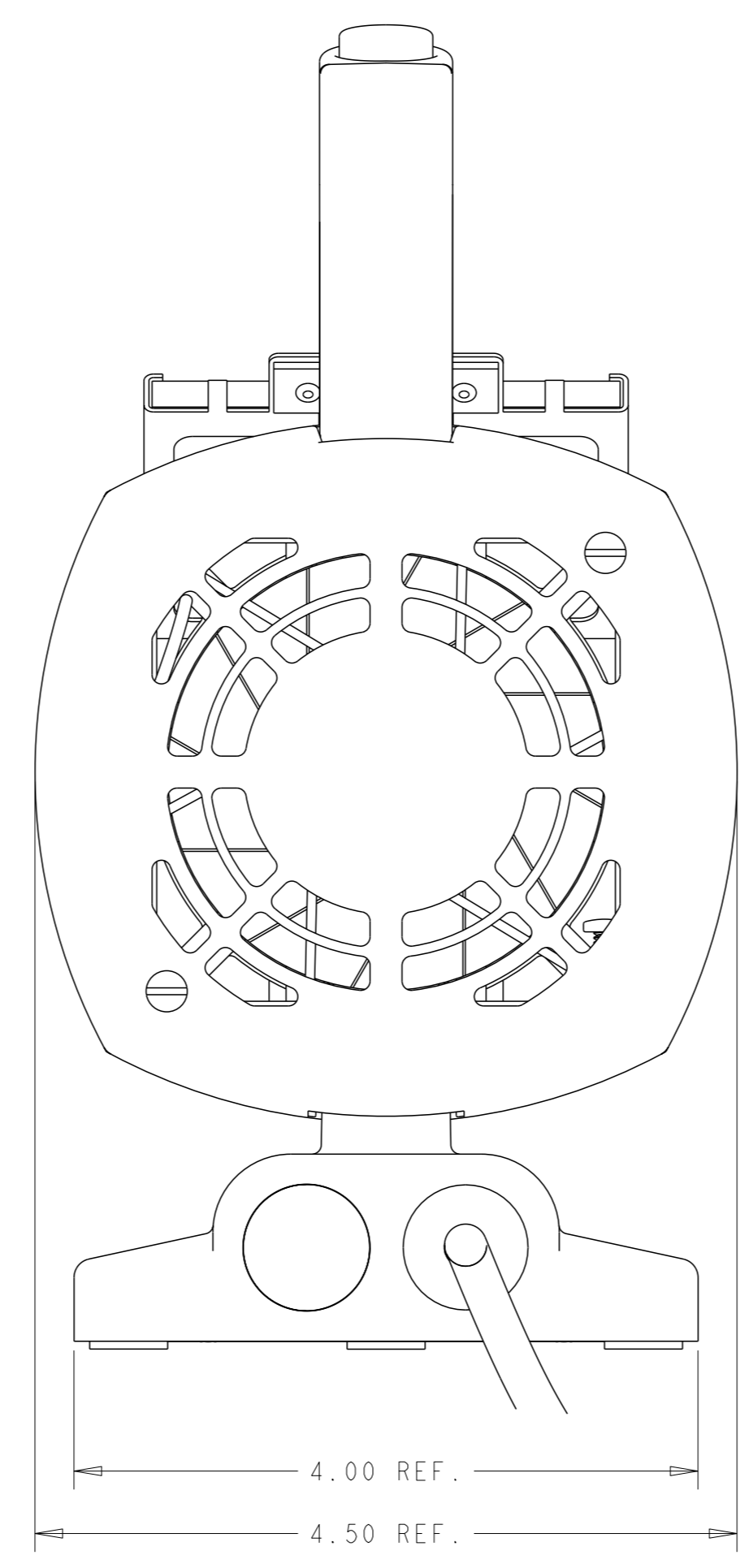
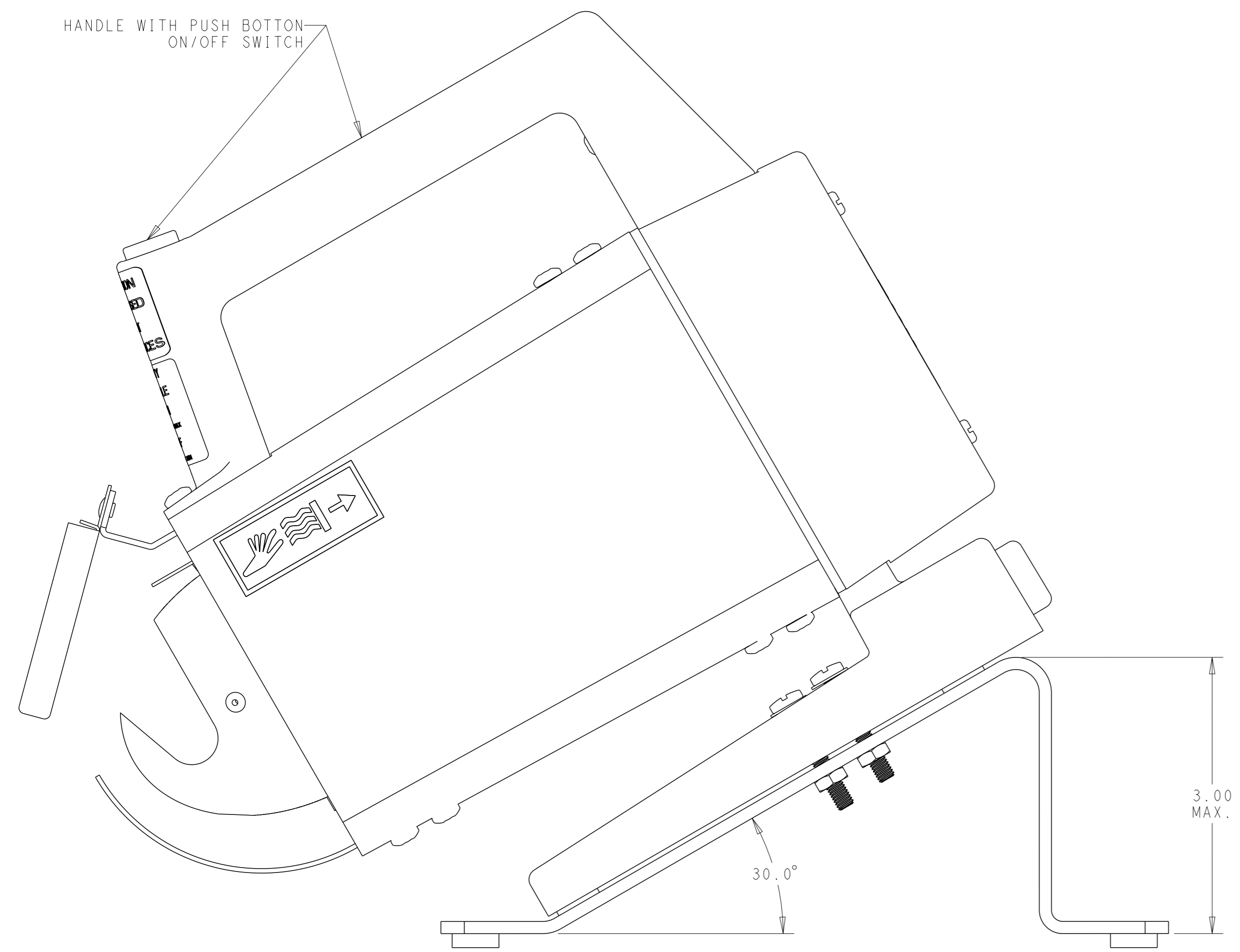
Contact us

Tel: +86-755-8981 8866 Fax: +86-755-8427 6832

Email & Skype: info@chipsmall.com Web: www.chipsmall.com

Address: A1208, Overseas Decoration Building, #122 Zhenhua RD., Futian, Shenzhen, China





- NOTES:
1. THIS IR-550-300 MARK-III CE HEATING TOOL MAY BE PURCHASED FROM TYCO ELECTRONICS CORPORATION AS PCN: C66438-000.
 2. REFER TO IR-550-300 MARK III-CE OPERATING AND MAINTENANCE MANUALS FOR COMPLETE OPERATING INSTRUCTIONS.
 3. SPECIFICATIONS:
INPUT POWER - 230 VAC.
WEIGHT - 5.5 LBS.
DUTY CYCLE - 80%, 90 SECOND HEATING TIMES.
 4. THE IR-550-300 MARK III-CE IS SUPPLIED WITH TWO POWER CORDS:
IR-550-300 MARK III-CE EUR-PWR-CORD
IR-550-300 MARK III-CE UK-PWR-CORD

THIS INFORMATION IS CONFIDENTIAL AND PROPRIETARY TO TYCO ELECTRONICS CORPORATION. IT IS NOT TO BE DISCLOSED TO ANYONE, OTHER THAN THE PERSONNEL, WITHOUT AUTHORIZATION FROM TYCO ELECTRONICS CORPORATION.

If this document is printed it becomes uncontrolled. Check for the latest revision

REV	DESCRIPTION	DATE	BY	CHK
B	REVISED PER ECO-15-013111	11SEP2015	AG	HS
A	INITIAL RELEASE DCR #R040261	05APR2004	PMG	
LTR	REVISION RECORD			

DIMENSIONS: INCHES		TOLERANCES UNLESS OTHERWISE SPECIFIED:	
Ø	PLC	±	
	PLC	±	
	PLC	±	
	PLC	±	
ANGLE:			
SURFACE TEXTURE:			

DRN	11SEP2015	MATERIAL		HEAT TREAT	
CHK	11SEP2015				
APVD	11SEP2015				
NAME	H. SMITH				
SCALE		SIZE	DRAWING NO	SHEET	REV
NTS		A1	IR-550-300	1	1 B