



Chipsmall Limited consists of a professional team with an average of over 10 year of expertise in the distribution of electronic components. Based in Hongkong, we have already established firm and mutual-benefit business relationships with customers from,Europe,America and south Asia,supplying obsolete and hard-to-find components to meet their specific needs.

With the principle of “Quality Parts,Customers Priority,Honest Operation,and Considerate Service”,our business mainly focus on the distribution of electronic components. Line cards we deal with include Microchip,ALPS,ROHM,Xilinx,Pulse,ON,Everlight and Freescale. Main products comprise IC,Modules,Potentiometer,IC Socket,Relay,Connector.Our parts cover such applications as commercial,industrial, and automotives areas.

We are looking forward to setting up business relationship with you and hope to provide you with the best service and solution. Let us make a better world for our industry!



Contact us

Tel: +86-755-8981 8866 Fax: +86-755-8427 6832

Email & Skype: info@chipsmall.com Web: www.chipsmall.com

Address: A1208, Overseas Decoration Building, #122 Zhenhua RD., Futian, Shenzhen, China



IR15 Dual Gas Series Datasheet

Infrared Dual Gas Sensor for Hazardous Environments (Portable and Fixed Systems)

The SGX infrared sensors use the proven Non-Dispersive Infrared (NDIR) principle to detect and monitor the presence of gases. With an infrared source and specific filtering on the pyroelectric detectors mounted inside the optical/gas cavity, individual gases or types of gas can be identified and their concentrations determined.

These sensors are suitable for reliable monitoring of gas levels in general safety applications where the sensor size is restricted and require a flameproof enclosure for hazardous environments.

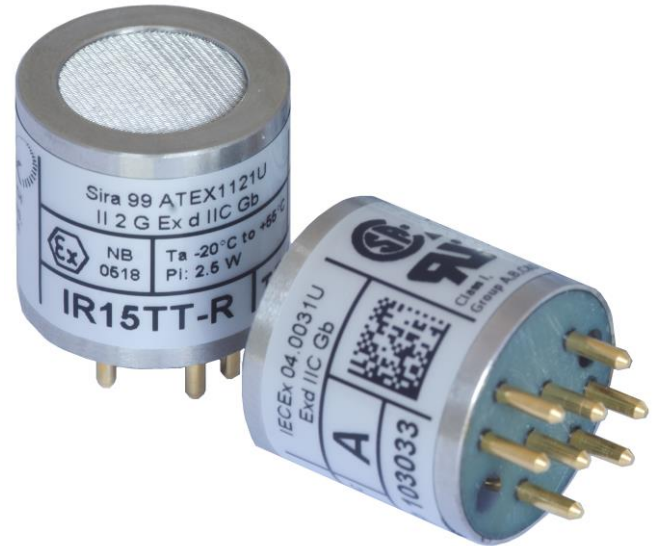
The IR15 Series contain two active detector elements for simultaneous monitoring of Carbon Dioxide and Methane or Hydrocarbon mixtures in the same size housing as some of the single gas sensors from the IR1xxx series sensors, making the sensor more cost effective than two separate sensors.

APPLICATIONS

- Oil & Gas
- Petrochemical
- Biogas
- Wastewater
- Utilities
- Steelworks
- Confined Space Entry
- Indoor Air Quality

FEATURES

- For detection of the following gases:
 - Carbon Dioxide & Hydrocarbons,
 - Hydrocarbons Mixtures
- Gas concentration ranges:
 - 0 - 5% Carbon Dioxide (also suitable for 0 to 0.5%v/v)
 - 0 - 100% Carbon Dioxide (also suitable for 0 to 10%)
 - 0 - 100%v/v Hydrocarbons (also suitable for 0 to 100%LEL)
- 19mm sensor height
- Embedded thermistor for improved temperature compensation
- Diffused gas sampling via mesh
- Low power
- Reference channel for self-compensation
- Special gold plated optical gas cavity for stable signal levels
- Operational in varying temperature, pressure and humidity
- Fast response
- Rugged stainless steel construction
- No moving parts
- Immunity from 'poisoning'
- Reliable fail-safe operation
- Certified: ATEX, IECEx, CSA and UL



OPERATION

To operate, the sensors must be interfaced to a suitable circuit for power supply, output amplification and signal processing. Sensor outputs require linearisation and compensation for ambient temperature variation using algorithms in the system firmware. This is necessary for sensors to meet their full performance specification. An embedded temperature sensor facilitates this compensation on certain types. Further compensation for pressure changes can also be made in an algorithm, provided there is a suitable input from a pressure sensor.

A set of Application Notes is available from the SGX Sensortech Ltd website, to explain more about NDIR gas sensing and provide advice for the end-user on interfacing the sensors and processing signals.

TECHNICAL SPECIFICATION

Mechanical

Dimensions	See Outlines
Body material	Stainless Steel
Approximate Weight	35g

Environmental

Ambient temperature range for operation:	-20°C to +55°C
storage:	-20°C to +55°C
Operational pressure range	30kPa to 130kPa
Humidity range for operation and storage	0 to 95% RH (Non-condensing)

Electrical

DC supply to detectors	3V to 5V
Typical power	180mW @ 5V
IR Source Supply (Recommended)	+5V, 60mA (Square Wave at 4Hz, 50% duty cycle)



Whilst SGX has taken care to ensure the accuracy of the information contained herein it accepts no responsibility for the consequences of any use thereof and also reserves the right to change the specification of goods without notice. SGX accepts no liability beyond the set out in its standard conditions of sale in respect of infringement of third party patents arising from the use of SGX products in accordance with information contained herein. In case of modification of the product, SGX disclaims all liability.

CONFIGURATIONS

Sensor Type	Target Gas 1			Target Gas 2			Application(s)
	Gas	Concentration Range *		Gas	Concentration Range *		
		Highest	Lowest		Highest	Lowest	
IR15TT	Carbon Dioxide	0 to 5%	0 to 0.5%	Hydrocarbons	0 to 100%	0 to 100%LEL	Oil & Gas Petrochemical Wastewater Steelworks Confined Space Entry Indoor Air Quality
IR15TT-M							
IR15TT-R		0 to 100%	0 to 10%				
IR15TT-D	Hydrocarbons	0 to 100%	0 to 100%LEL				Utilities

* The Highest Concentration Range is the highest range the sensor is suitable. The Lowest Concentration Range is the lowest range the sensor is suitable. The use of the sensor beyond these ranges will affect the sensor's performance.

IR15TT

The IR15TT can be used in all applications for general monitoring of both relatively low concentrations of carbon dioxide and simultaneous %LEL and %v/v concentrations of Group II hydrocarbons, including benzene. The sensors contain a broadband hydrocarbon detector which are cross sensitive to most hydrocarbons and can therefore be calibrated to a specific target gas or a number of gases that can then be selected in the configuration of the customer's gas measurement instrument.

IR15TT-M

The IR15TT-M is very similar to the IR15TT except that a narrowband hydrocarbon detector is used. The sensor can still be used to monitor the same levels of carbon dioxide and hydrocarbons but are unsuitable for the detection of benzene. The narrowband detector also has a slightly lower response to humidity than the IR15TT, but is generally more cross-sensitive to other hydrocarbons.

IR15TT-R

The IR15TT-R was designed specifically for Biogas applications for the simultaneous detection of carbon dioxide up to 100%v/v and %LEL and %v/v concentrations of hydrocarbons, but can be potentially used for other applications. The IR15TT-R contains the narrowband detector which is unsuitable for the detection of benzene.

IR15TT-D

The IR15TT-D is fitted with both the narrowband and broadband hydrocarbon detectors with differing centre wavelength and bandwidth to potentially differentiate between hydrocarbons. The sensor was designed for the gas instruments being used by utilities companies to help differentiate between different compositions of natural gas.

HANDLING PRECAUTIONS

1. Do not allow sensors to fall on the floor. This could cause IR Source filament breakage, damage to the pins and the gas entrance aperture.
2. Do not apply mechanical force against the gas entrance aperture.
3. Do not immerse sensors in water or other fluids.
4. Protect the gas entrance aperture against dust ingress and sprayed materials.
5. Anti-static handling precautions must be taken.

PERFORMANCE

For test purposes, all data taken using the following conditions:

- Performance as tested in the SGX IR-EK2 Evaluation Kit directly after calibration.
- SGX linearisation and temperature compensation algorithms applied; see Infrared Sensor Application Notes.
- IR Source Voltage 5V, square wave, at 4 Hz and 50% duty cycle. Running the IR Source at 3V will decrease performance due to lower output signals.
- Ambient temperature (20°C) and pressure (101 kPa).
- All gases diluted in dry nitrogen.
- Performance for the Hydrocarbons refers to Methane only. Most other hydrocarbons will have an improved performance.
- Performance data is the same for the supported IR Source variants (“_1” variants).
- Refer to Application Notes for more information.

Sensor type	IR15TT		IR15TT-M		IR15TT-R		IR15TT-D	
Gas	CO ₂	Methane ⁽⁵⁾ / Hydrocarbons	CO ₂	Methane ⁽⁵⁾ / Hydrocarbons	CO ₂	Methane ⁽⁵⁾ / Hydrocarbons	Methane ⁽⁵⁾ / Hydrocarbons	Methane ⁽⁵⁾ / Hydrocarbons
Concentration Range	Refer to Configurations Table							
Warm-up Times	<20 sec to operate <60 sec for Zero ±1% of Full Scale, <30 min to full specification at 20 °C							
Maximum Response Time (T ₉₀) ⁽¹⁾	20 sec							
Peak-to-Peak Outputs (in N ₂) ⁽²⁾ Active (mV): Reference (mV):	10 to 29	24 to 58	10 to 29	12 to 47	18 to 45	8 to 21	12 to 47	24 to 58
	18 to 43		18 to 43		10 to 24		18 to 43	
Sensitivity to Standard Test Gas ^{(2) (3)} Minimum Absorbance: Maximum Absorbance:	0.25	0.07	0.25	0.07	0.07	0.06	0.07	0.07
	0.50	0.15	0.50	0.15	0.12	0.10	0.15	0.15
Typical Sensitivity for Gas Range ⁽³⁾	Refer to Fractional Absorbance Curves							
Minimum Detection Level ⁽⁴⁾	2ppm CO ₂	30ppm CH ₄	2ppm CO ₂	30ppm CH ₄	50ppm CO ₂	60ppm CH ₄	30ppm CH ₄	30ppm CH ₄
Maximum deviation from linearity (±) ⁽⁶⁾ 0 to 0.5%v/v Range: 0 to 2%v/v Range: 0 to 2.5%v/v Range: 0 to 5%v/v Range: 0 to 10%v/v Range: 0 to 100%v/v Range:	0.01%v/v	-----	0.01%v/v	-----	-----	-----	-----	-----
	0.05%v/v	-----	0.05%v/v	-----	-----	-----	-----	-----
	0.10%v/v	0.15%v/v	0.10%v/v	0.15%v/v	-----	0.15%v/v	0.15%v/v	0.15%v/v
	-----	-----	-----	-----	0.20%v/v	-----	-----	-----
	-----	5%v/v	-----	5%v/v	2%v/v	5%v/v	5%v/v	5%v/v
Temperature Variation (± ppm / °C) ⁽⁷⁾ Zero and Concentration Range Maximum (-20°C to +55°C) Zero: 0.5%v/v: 2%v/v: 2.5%v/v: 5%v/v: 10%v/v: 100%v/v:	10	20	10	25	10	50	25	20
	25	-----	25	-----	-----	-----	-----	-----
	100	-----	100	-----	-----	-----	-----	-----
	-----	-----	-----	-----	-----	-----	150	-----
	250	150	250	200	-----	250	-----	150
	-----	-----	-----	-----	500	-----	-----	-----
	-----	1500	-----	2000	2500	2500	2000	1500
Short Term Stability (±) ⁽⁸⁾ : Zero: 0.5%v/v: 2%v/v: 2.5%v/v: 5%v/v: 10%v/v: 100%v/v:	5 ppm	0.01%v/v	5 ppm	0.01%v/v	20 ppm	0.01%v/v	0.01%v/v	0.01%v/v
	0.01%v/v	-----	0.01%v/v	-----	-----	-----	-----	-----
	0.05%v/v	-----	0.05%v/v	-----	-----	-----	-----	-----
	-----	-----	-----	-----	-----	-----	-----	-----
	0.10%v/v	0.10%v/v	0.10%v/v	0.08%v/v	-----	0.10%v/v	0.10%v/v	0.10%v/v
	-----	-----	-----	-----	0.1%v/v	-----	-----	-----
	-----	2%v/v	-----	2%v/v	1%v/v	3%v/v	2%v/v	2%v/v

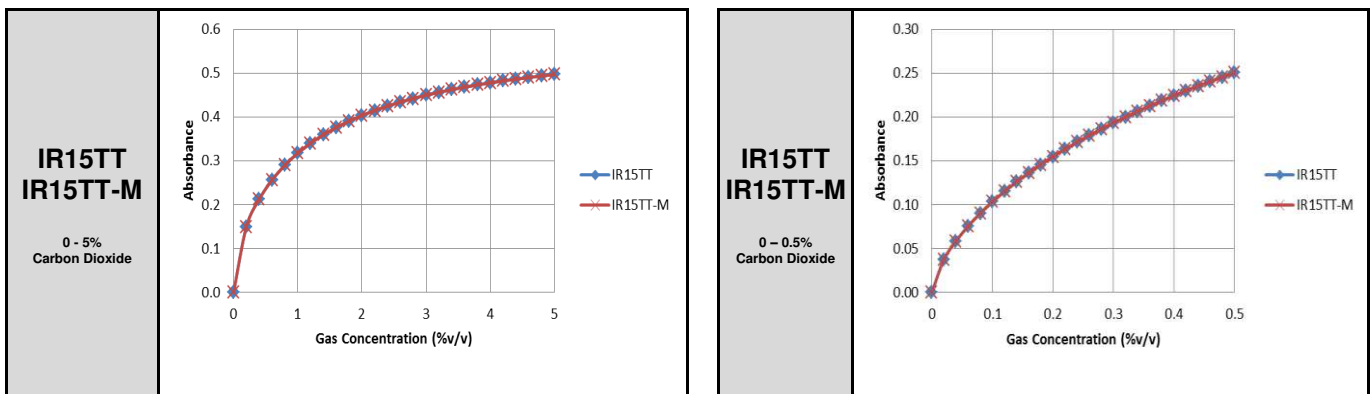
Sensor type	IR15TT		IR15TT-M		IR15TT-R		IR15TT-D	
Gas	CO ₂	Methane ⁽⁵⁾ / Hydrocarbons	CO ₂	Methane ⁽⁵⁾ / Hydrocarbons	CO ₂	Methane ⁽⁵⁾ / Hydrocarbons	Methane ⁽⁵⁾ / Hydrocarbons	Methane ⁽⁵⁾ / Hydrocarbons
Humidity Response (+) ⁽⁹⁾ Zero: 0.5%v/v: 2%v/v: 2.5%v/v: 5%v/v: 10%v/v: 100%v/v:	Negligible	0.15%v/v ----- ----- 0.30%v/v ----- 2%v/v	Negligible	0.10%v/v ----- ----- 0.25%v/v ----- 2%v/v	Negligible	0.10%v/v ----- ----- 0.25%v/v ----- 2%v/v	0.10%v/v ----- ----- 0.25%v/v ----- 2%v/v	0.15%v/v ----- ----- 0.30%v/v ----- 2%v/v
Pressure Effects ⁽¹⁰⁾	Sensors shall meet specification within a ±5% change in ambient pressure from the ambient pressure during calibration							
MTBF (IR Source only)	>10 years for 5 V operation, >20 years for 3 V operation							
Vibration	Conforms to EN 60079-29-1							
Ingress Protection	Requires extra protection depending on application							

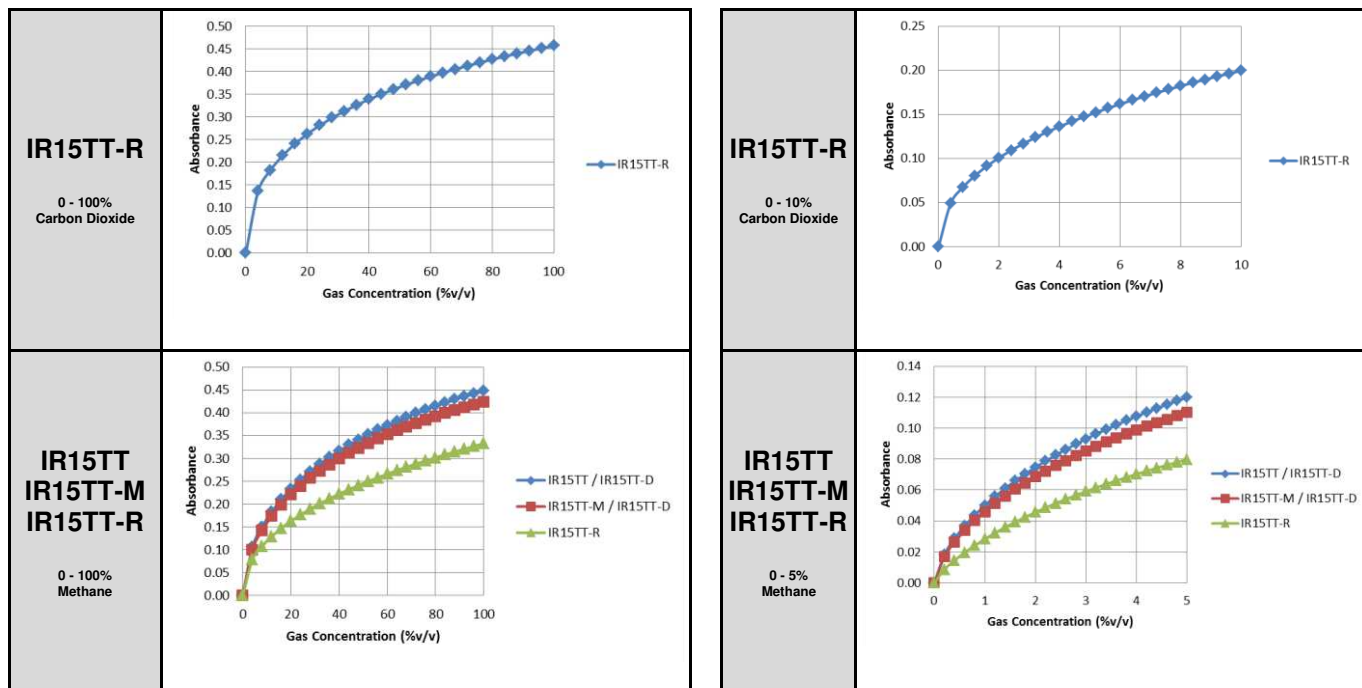
- (1) Based upon an immediate step change in concentration at the aperture of the sensor.
- (2) Production Test Limits, using standard test gases of Dry Nitrogen, 2%v/v Carbon Dioxide and 5%v/v Methane, where appropriate.
- (3) A 0.30 absorbance is equivalent to a 30% decrease in the Active peak-to-peak output.
- (4) The minimum detection level is the smallest detectable change in concentration based upon a 2 sigma variation. The best detectable change occurs at 0% gas concentration due to the non-linear output of the detector (see Fractional Absorbance Curves).
- (5) Performance for most hydrocarbons will be better than for methane for equivalent concentrations, as methane is one of the lower sensitive gases compared to other hydrocarbons.
- (6) After linearisation using the recommended method of linearisation and based upon a calibration gas with a concentration >75% of the full-scale.
- (7) Using average Alpha and Beta coefficients based upon test data from the instrument in which the sensor is being tested. Refer to Application Notes for information on calculating Alpha and Beta coefficients. Accuracy can be improved by measuring each sensor over temperature to define specific Alpha or Alpha & Beta coefficients.
- (8) After sensor stabilisation and over a period of 8 hours.
- (9) Difference in response when changed from 0 %RH to 90 %RH.
- (10) Sensors can be used over a greater ambient pressure using pressure compensation of the concentration. An external pressure sensor will be required for this.

FRACTIONAL ABSORBANCE CURVES

These show the typical sensitivity versus concentration before linearisation for the range of gases. For further explanation, refer to the Infrared Sensor Application Notes.

Primary Target Gases





Note: Both IR15TT-D channels have a similar response to methane but different responses to other alkanes (see table below).

Relative Absorbance of Narrowband and Broadband Detectors to Alkanes

	Methane 5%v/v	Ethane (0.5%v/v)	Propane (0.35%v/v)
Narrowband IR15TT-D / IR15TT-M	1.00	0.87	0.82
Broadband IR15TT-D / IR15TT	1.00	0.62	0.52

CERTIFICATIONS

 CSA	The Canadian Standards Association has issued a component certification for the IR1xxxx Series as an Explosion Proof Enclosure for use in Class I hazardous locations. It has satisfied the requirements of CSA standard C22.2 No. 30-M 1986. Certificate No. 2589677.		
 UL	Underwriters Laboratories Inc. recognises the IR1xxxx Series as a component for use in intrinsically safe apparatus in Class 1, Division 1, Groups A, B, C and D hazardous locations. It has satisfied the requirements of UL 913, 7th edition. File E186043.		
 ATEX	EC Type-Examination Certificate Numbers:	ATEX: Sira 99ATEX1121U IECEX: IECEX SIR 04.0031U	
 IECEX	Issued by:	Sira Test & Certification Service Rake Lane Eccleston Chester, CH4 9JN, UK	
	Have been assessed to the following harmonized standards:	EN 60079-0:2012 & IEC 60079-0:2011 (Ed. 6) Electrical apparatus for explosive gas atmospheres – General requirements IEC 60079-1:2014 (Ed. 7) Electrical apparatus for explosive gas atmospheres Flameproof enclosures “d”	
	Product Marking:	ATEX: II 2G Ex db IIC Gb IECEX: Ex db IIC Gb	Ta -20°C to +55°C, Pi: 2.5 W

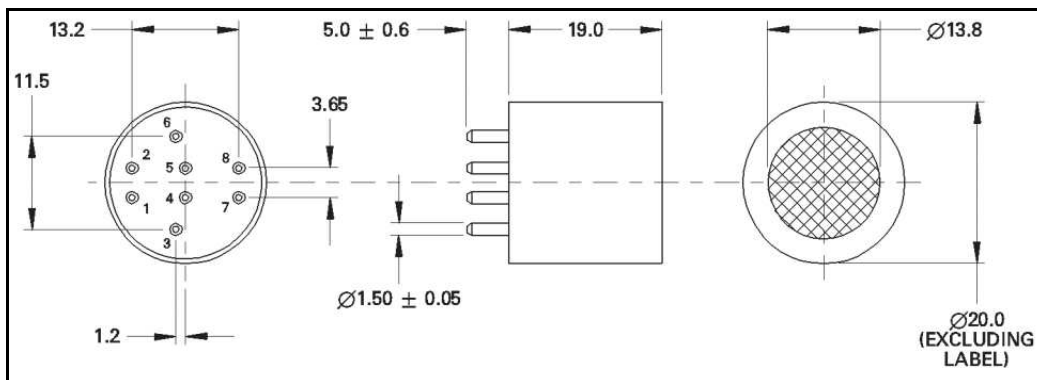
INSTRUCTIONS SPECIFIC TO HAZARDOUS AREA INSTALLATIONS

(Ref: EU ATEX Directive 2014/34/EU)

1. The IR15xx Series Gas Sensing Heads are component-approved only and may not be used as stand-alone items in a hazardous area without further protection.
2. The IR15xx Series Gas Sensing Heads shall be protected in service. The Sensing Head shall be mounted in a protective enclosure such that an impact of 7 J in accordance with IEC 60079-0:2007 clause 26.4.2 from any direction shall not cause the impact head to make contact with the Sensing Head.
3. The thermal resistance of the IR15xx Series Gas Sensing Heads does not exceed 25 K/W. This shall be taken into account when considering its surface temperature and the temperature classification of the equipment into which it is to be incorporated. Tests indicated that an internal ignition raises the temperature of the mesh by a further 4.2 K (including a 1.2 safety factor).
4. The IR15xx Series Gas Sensing Heads have not been assessed as a safety device (EHSR 1.5).
5. There are no user-serviceable parts in the component.
6. The end-user/installer shall be aware that the certification of the IR15xx Series Gas Sensing Heads relies on the following materials used in its construction, which are suitable for most common applications:
 - Enclosure.....Stainless steel
 - Mesh.....Stainless steel
 - Bushing.....Epoxy resin
 In accordance with the Note in EN60079-0:2006 clause 6.1, the end-user/installer shall inform the manufacturer of any adverse conditions that the IR15xx Series Gas Sensing Heads may encounter. This is to ensure that the IR15xx Series Gas Sensing Heads are not subjected to conditions that may cause degradation of these materials.
7. The IR15xx Series Gas Sensing Head is only certified for use in ambient temperatures between -20°C and $+55^{\circ}\text{C}$ and should not be used outside this range.
8. The maximum input power of the IR15xx Series Gas Sensing Head shall not exceed 2.5 W.
9. The IR15xx Series Gas Sensing Heads are dust-proof (IP5x) but offers no protection against the ingress of water. Where protection in excess of IP50 is required, the apparatus into which the IR15xx Series Head is installed shall provide the necessary ingress protection (for example by fitting an external semi-permeable membrane).

OUTLINE

(All dimensions in millimetres; dimensions without limits are nominal)



Connections

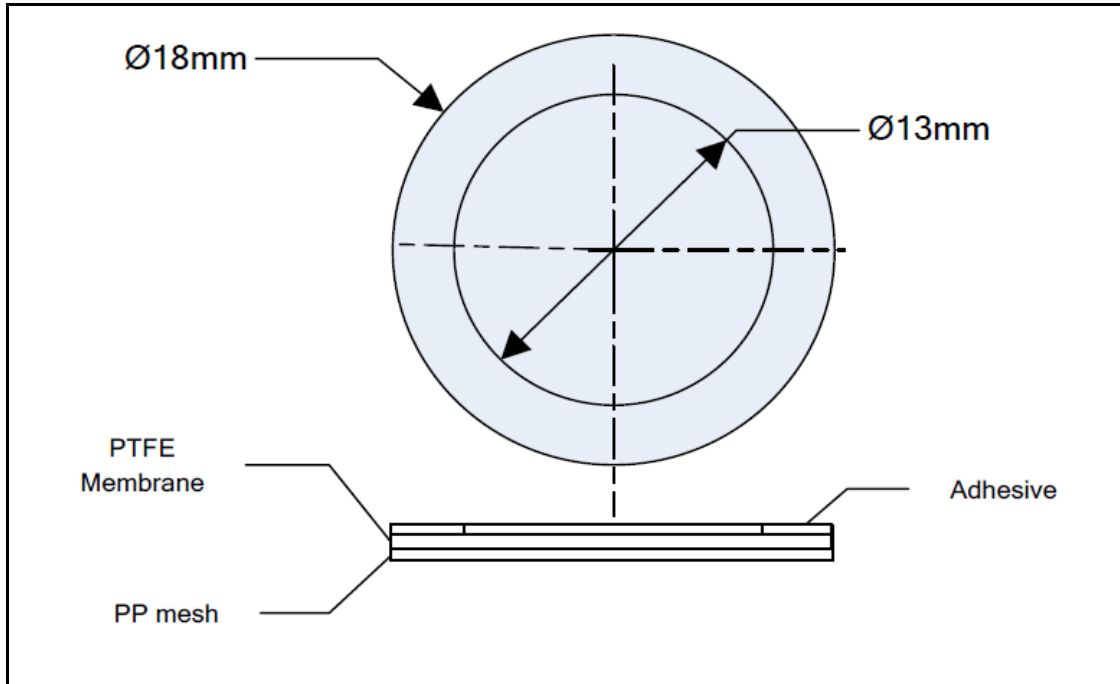
Pin	Connection
1	IR Source
2	Reference Detector Output
3	IR Source Return
4	Active 1 Detector Output (CO ₂ for IR15TT / IR15TT-M / IR15TT-R; Narrowband Hydrocarbon for IR15TT-D)
5	+V DC Input
6	Active 2 Detector Output (Hydrocarbon for IR15TT / IR15TT-M / IR15TT-R; Broadband Hydrocarbon for IR15TT-D)
7	Thermistor
8	0V (connect Internally to Sensor Body)

Outline Notes

1. Body dimensional tolerances ± 0.1 mm. Pin dimensional tolerances as indicated.
2. IR15xx Series sensors are designed to press-fit into PCB sockets. The end-user should choose a socket to accommodate the full sensor pin length. This will ensure a stable mechanical location as well as good electrical contact. SGX Sensortech Ltd recommend the Wearn's Cambion type 450-1813-01-03-00 single-pole solder mount socket with through hole, or a suitable equivalent.

ACCESSORIES

Dust Membrane (DPP702964BA)



Material	PTFE
Air Flow	$\geq 6.8 \text{ l/hr/cm}^2$ (Δp 10mbar)
Water Intrusion Pressure	$\geq 210 \text{ mbar}$
Laminated PTFE Thickness	0.28 mm (nominal)
Adhesive Thickness	0.19 mm (nominal)
Typical Pore Size	5 μm