



Chipsmall Limited consists of a professional team with an average of over 10 year of expertise in the distribution of electronic components. Based in Hongkong, we have already established firm and mutual-benefit business relationships with customers from,Europe,America and south Asia,supplying obsolete and hard-to-find components to meet their specific needs.

With the principle of "Quality Parts,Customers Priority,Honest Operation,and Considerate Service",our business mainly focus on the distribution of electronic components. Line cards we deal with include Microchip,ALPS,ROHM,Xilinx,Pulse,ON,Everlight and Freescale. Main products comprise IC,Modules,Potentiometer,IC Socket,Relay,Connector.Our parts cover such applications as commercial,industrial, and automotives areas.

We are looking forward to setting up business relationship with you and hope to provide you with the best service and solution. Let us make a better world for our industry!



## Contact us

Tel: +86-755-8981 8866 Fax: +86-755-8427 6832

Email & Skype: info@chipsmall.com Web: www.chipsmall.com

Address: A1208, Overseas Decoration Building, #122 Zhenhua RD., Futian, Shenzhen, China



**Features**

- Floating gate driver designed for bootstrap operation
- Fully operational to +600 V
- Excellent dv/dt immunity
- Excellent negative  $V_S$  transient immunity
- Wide  $V_{CC}$  range
- UVLO on low-side and high-side
- Schmitt-trigger input with internal pull-down
- Output in phase with input
- Excellent latch immunity on all inputs & outputs
- RoHS compliant
- 6-pin SOT-23 package

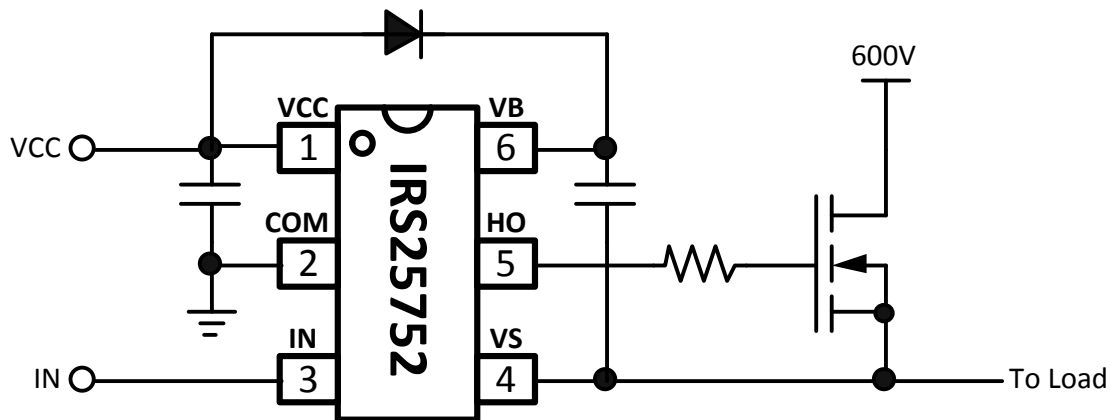
**Applications**

- High-side gate driver control
- Pulse transformer replacement
- General purpose switched mode power electronics

**Description**

The IRS25752 is a high-side, single-channel gate driver IC with 600V blocking and level-shifting capability. This allows for the gate driver to be connected directly to the gate of a high-side power MOSFET, while being controlled by the low-side, ground potential circuitry. The IRS25752 includes a wide  $V_{CC}$  supply range, UVLO protection, and excellent immunity to harsh dv/dt or  $-V_S$  switching environments. IR's HVIC technology allows for these functions and features to be realized in a 6-pin SOT-23 package.

**Package Options**

**Typical Connection Diagram**

**Ordering Information**

Base Part Number	Package Type	Standard Pack		Orderable Part Number
		Form	Quantity	
IRS25752LPBF	SOT-23-6L	Tape and Reel	3000	IRS25752LTRPBF

<b>Table of Contents</b>	<b>Page</b>
Description	1
Ordering Information	1
Typical Connection Diagram	1
Absolute Maximum Ratings	3
Recommended Operating Conditions	3
Electrical Characteristics	4
Functional Block Diagram	5
Timing Diagram	6
Lead Definitions	7
Lead Assignments	7
Package Details: 6L-SOT23	9
Tape and Reel Details: 6L-SOT23	10
Part Marking Information	12
Qualification Information	13

## Absolute Maximum Ratings

Absolute maximum ratings indicate sustained limits beyond which damage to the device may occur. All voltage parameters are absolute voltages referenced to COM, all currents are defined positive into any pin. The thermal resistance and power dissipation ratings are measured under board mounted and still air conditions.

Symbol	Definition		Min	Max	Units
$V_B$	High side floating absolute voltage		-0.3	620	V
$V_S$	High side floating supply offset voltage		$V_B - 20$	$V_B + 0.3$	
$V_{HO}$	High side floating gate drive output voltage		$V_S - 0.3$	$V_B + 0.3$	
$V_{CC}$	Low side and logic fixed supply voltage		-0.3	20	
$V_{IN}$	Logic input voltage		COM - 0.3	$V_{CC} + 0.3$	
COM	Logic ground		$V_{CC} - 20$	$V_{CC} + 0.3$	
dVS/dt	High side floating supply offset voltage slew rate		---	50	V/ns
$RO_{JA}$	Thermal resistance, junction to ambient	6L-SOT-23	---	151	°C/W
$T_J$	Junction temperature		-55	150	°C
$T_S$	Storage temperature				
$T_L$	IC Pin temperature (soldering, 10 seconds)				
			---	300	

## Recommended Operating Conditions

For proper operation the device should be used within the recommended conditions.

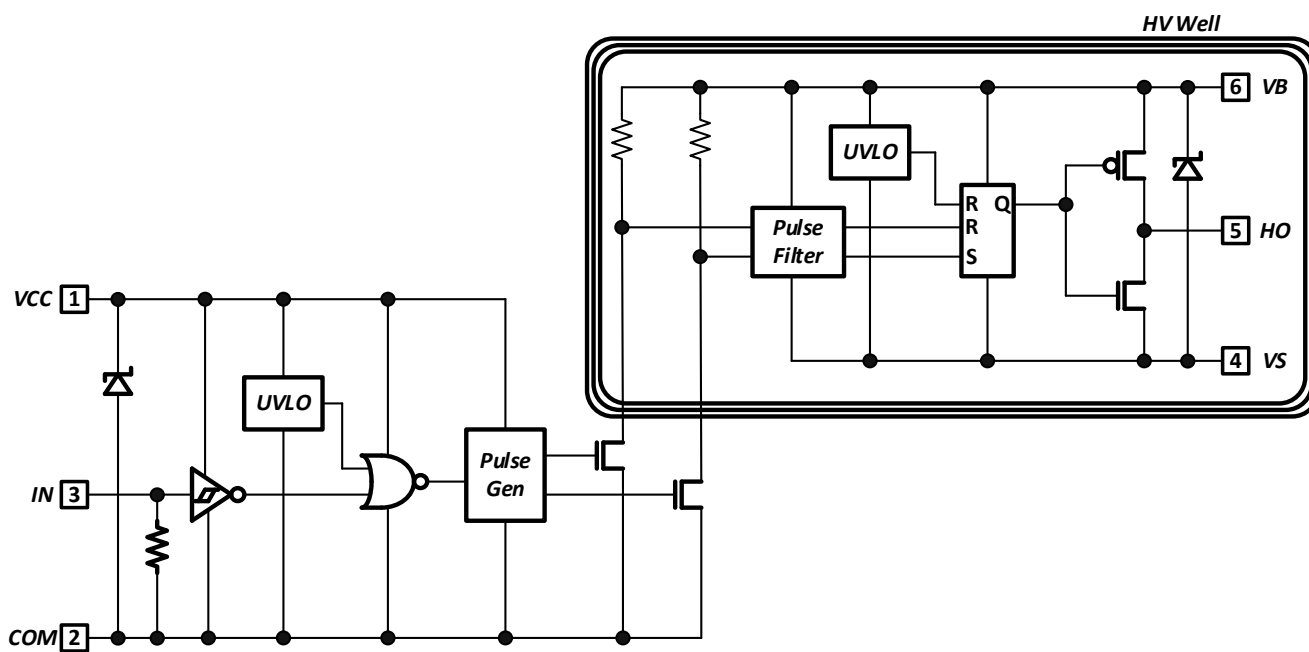
Symbol	Definition	Min	Max	Units
$V_B$	High side floating absolute voltage	$V_S + 10$	$V_S + 18$	V
$V_S$	High side floating supply offset voltage	COM - 8 <sup>†</sup>	600	
$V_{HO}$	High side floating gate drive output voltage	$V_S$	$V_B$	
$V_{CC}$	Low side and logic fixed supply voltage	10	18	
$V_{IN}$	Logic input voltage	COM	$V_{CC}$	
$T_J$	Junction temperature	-40	125	°C

† Logic operational for  $V_S$  of -8V to +600V. Logic state held for  $V_S$  of -8V to  $-V_{BS}$ .

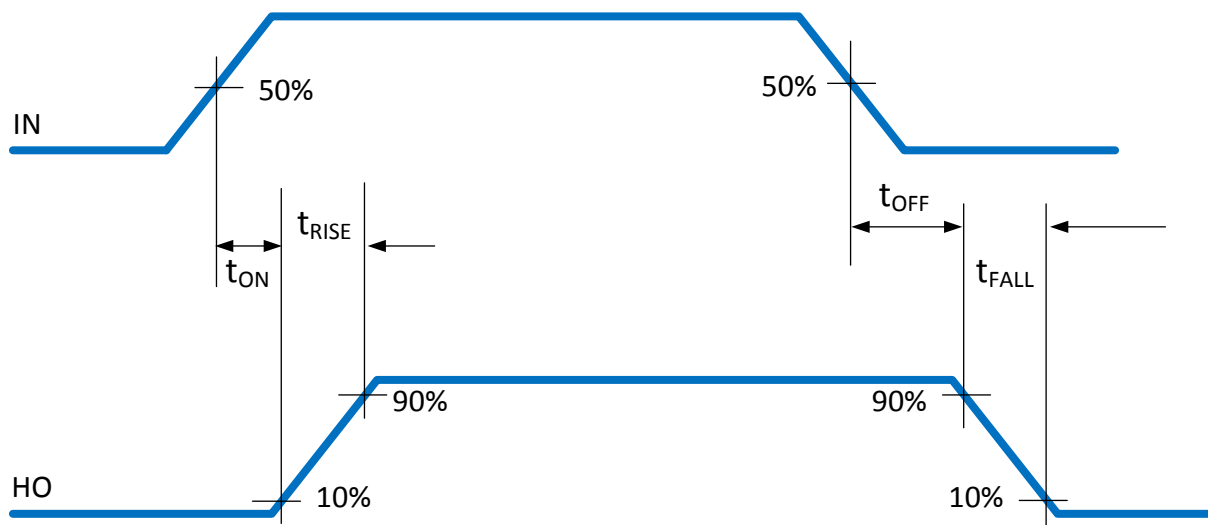
**Electrical Characteristics**
 $V_{CC}=15V$ ,  $V_{BS}=15V$ ,  $C_L=1000pF$ , and  $T_A = 25\text{ }^\circ\text{C}$  unless otherwise specified.

Symbol	Definition	Min	Typ	Max	Units	Test Conditions	
<b>Low Side Characteristics</b>							
$V_{CCUV+}$	$V_{CC}$ supply UVLO positive-going	8.0	9.0	10.0	V		
$V_{CCUV-}$	$V_{CC}$ supply UVLO negative-going	7.0	8.0	9.0			
$I_{QCC}$	Quiescent $V_{CC}$ supply current	---	100	---	$\mu\text{A}$		
$V_{CC\_CLAMP}$	$V_{CC}$ internal Zener clamp voltage	---	20.4	---	V	$I_{CC} = 5\text{mA}$	
$V_{IH}$	Logic "1" input voltage	---	---	2.2			
$V_{IL}$	Logic "0" input voltage	0.8	---	---			
$I_{IN+}$	Logic "1" input bias current	---	20	40	$\mu\text{A}$	$V_{IN} = V_{CC}$	
$I_{IN-}$	Logic "0" input bias current	---	---	5		$V_{IN} = \text{COM}$	
<b>High Side Characteristics</b>							
$V_{BSUV+}$	$V_{BS}$ supply UVLO positive-going	8.0	9.0	10.0	V		
$V_{BSUV-}$	$V_{BS}$ supply UVLO negative-going	7.0	8.0	9.0			
$V_{BS\_CLAMP}$	$V_{BS}$ internal Zener clamp voltage	---	20.4	---			$I_{BS} = 5\text{mA}$
$V_{OH}$	High level output voltage ( $V_B - HO$ )	---	0.8	1.4			$I_O = 2\text{mA}$
$V_{OL}$	Low level output voltage ( $HO - V_S$ )	---	0.3	0.6	$\mu\text{A}$	$V_B = V_S = 600\text{V}$	
$I_{LK}$	Offset supply leakage current	---	---	50		$V_{IN} = V_{CC} \text{ or } \text{COM}$	
$I_{QBS}$	Quiescent $V_{BS}$ supply current	---	80	---			
<b>Gate Drive Characteristics</b>							
$t_{ON}$	Turn-on propagation delay	---	140	---	ns	$V_S = 0\text{V}$	
$t_{OFF}$	Turn-off propagation delay	---	215	---		$V_S = 600\text{V}$	
$t_{RISE}$	Turn-on rise time	---	85	---		$V_S = 0\text{V}$	
$t_{FALL}$	Turn-off fall time	---	40	---			
$I_{O+}$	HO gate drive output source current	---	160	---	mA		
$I_{O-}$	HO gate drive output sink current	---	240	---			

## Functional Block Diagram

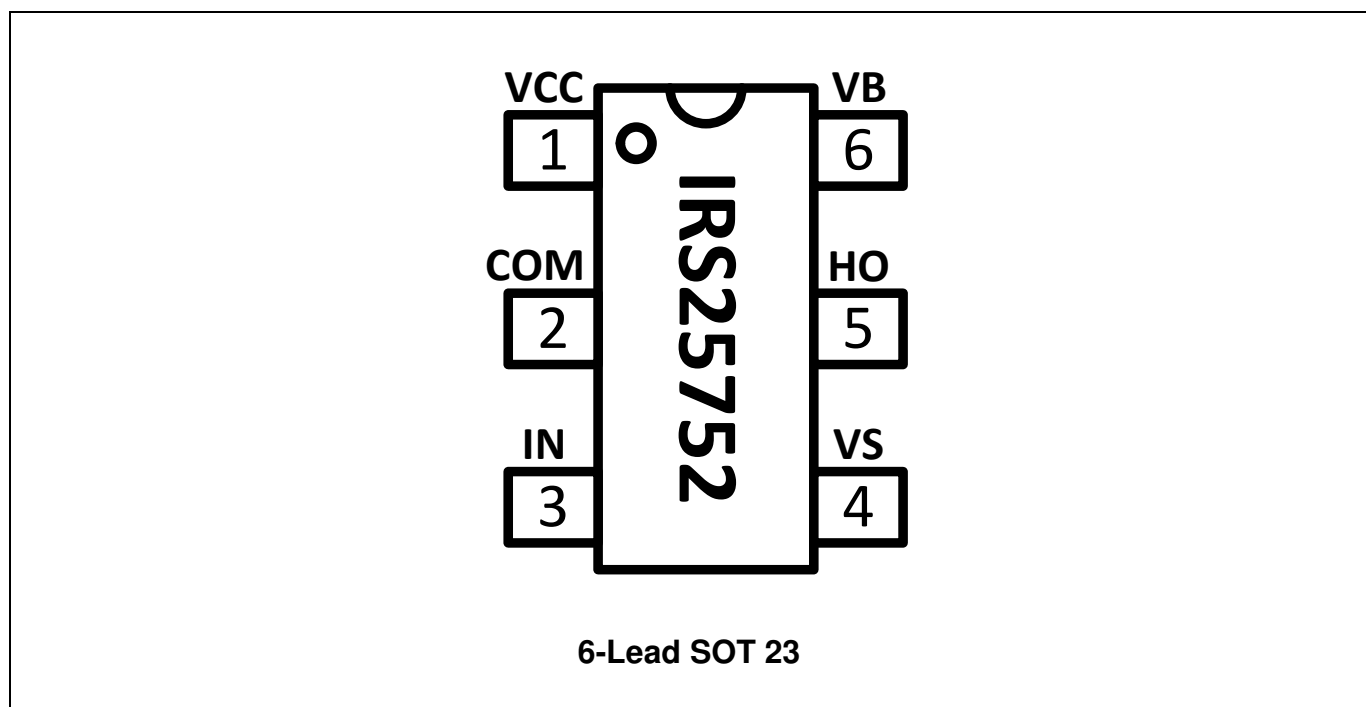


**Timing Diagram**



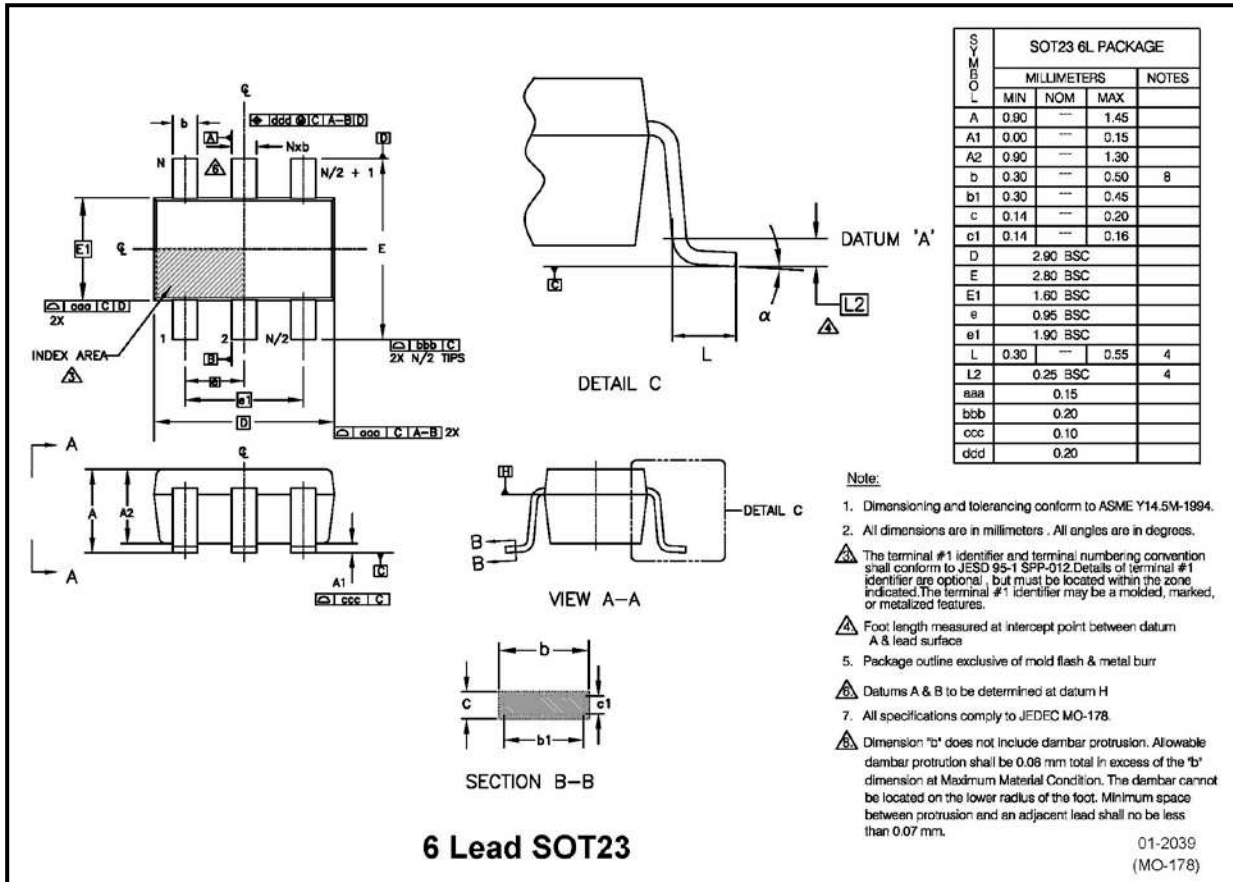
**Pin Definitions**

Pin	Symbol	Description
1	VCC	IC supply voltage
2	COM	IC power and signal ground
3	IN	Logic input
4	VS	High side floating supply offset voltage
5	HO	High side gate driver output
6	VB	High side floating supply voltage

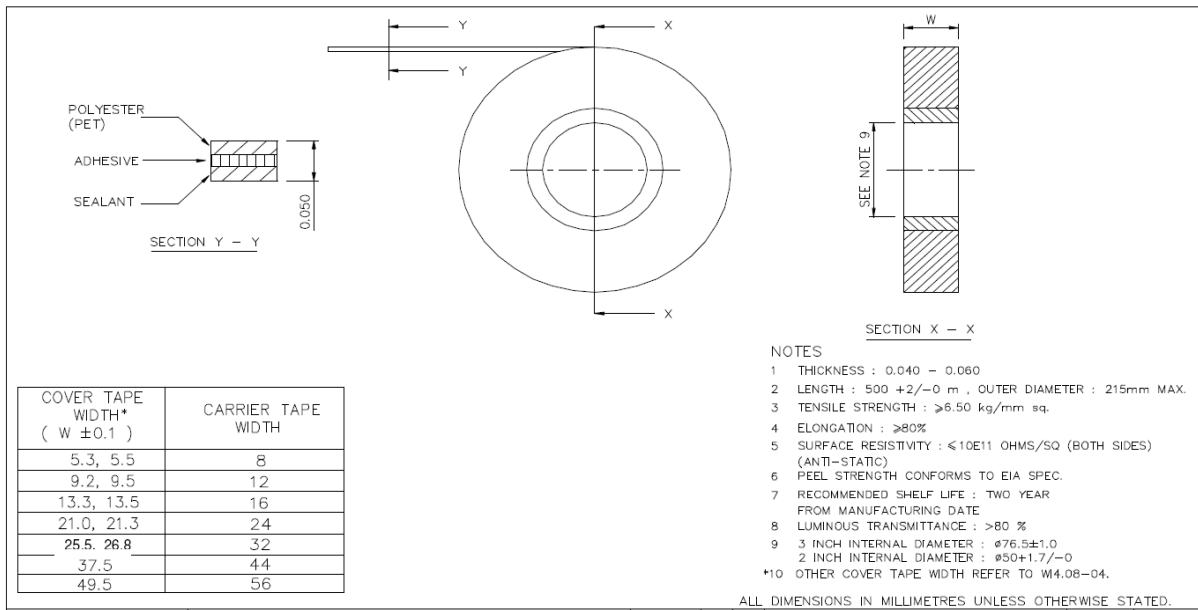
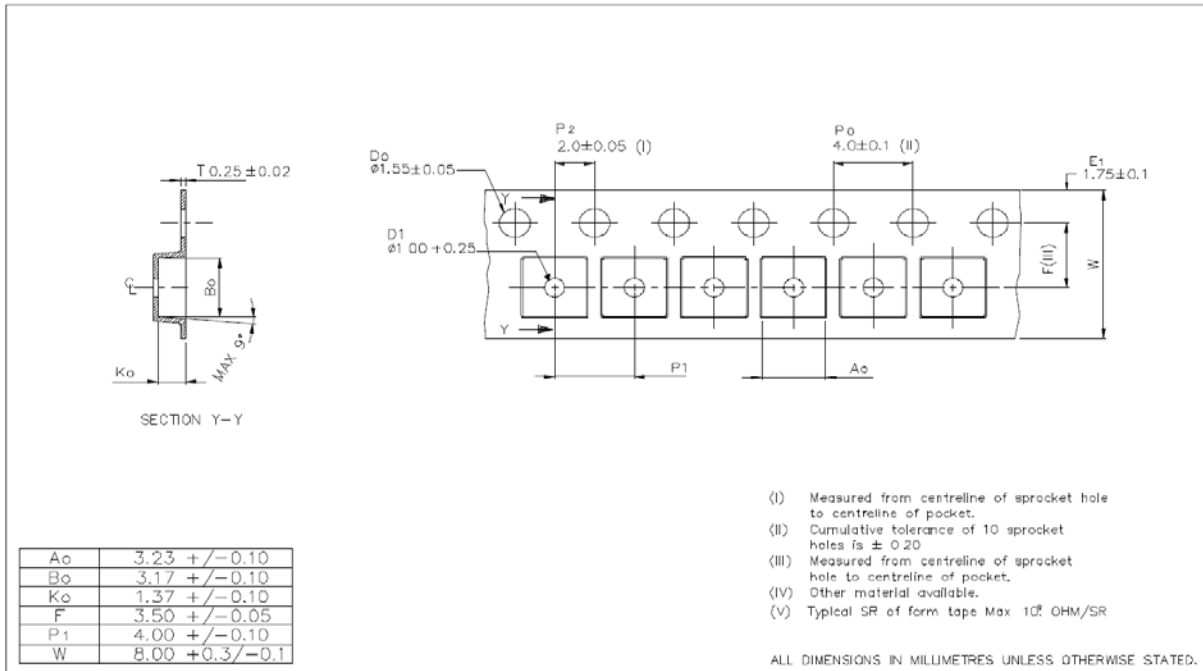
**Pin Assignments**




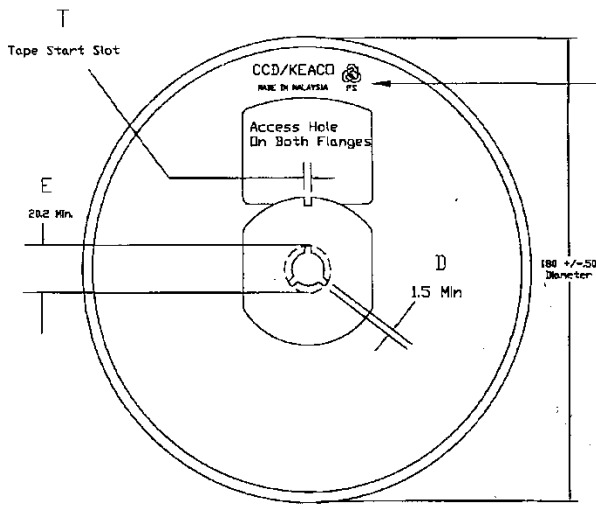
## Package Details: 6L-SOT23



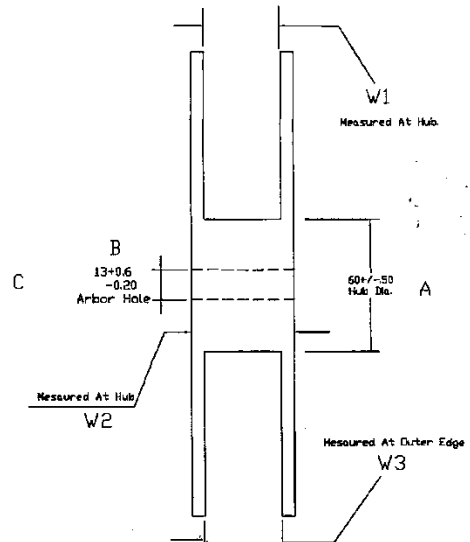
## Tape and Reel Details: 6L-SOT23



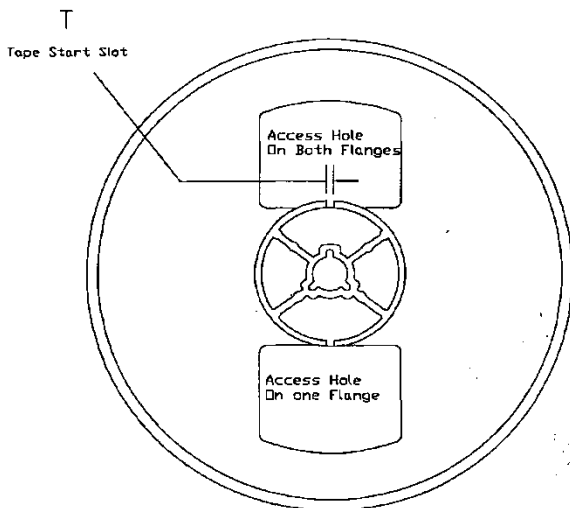
**Tape and Reel Details: 6L-SOT23**



FRONT VIEW



SIDE VIEW

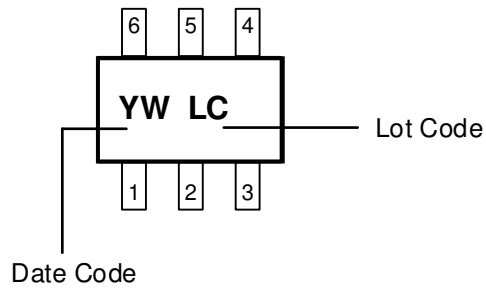


BACK VIEW

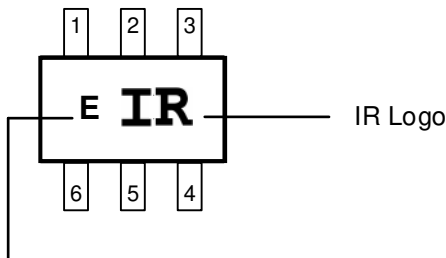
- NOTE:
1. MATERIAL : POLYSTRENE
  2. SURFACE RESISTIVITY :  $\leq 10E11$  OHMS/SQ (EXTERNAL OR DIPPED)
  3. STATIC DECAY :  $< 2$ SEC. AT 50%RH

**Part Marking Information: 6 Lead SOT23**

**Top Marking**



**Bottom Marking**



Part no.	Base Part Number
E	IRS25752LPBF
H	IRS20752LPBF
I	IRS10752LPBF

**Qualification Information<sup>†</sup>**

<b>Qualification Level</b>		Industrial <sup>††</sup> (per JEDEC JESD 47E)	
		Comments: This family of ICs has passed JEDEC's Industrial qualification. IR's Consumer qualification level is granted by extension of the higher Industrial level.	
<b>Moisture Sensitivity Level</b>		SOT-23	MSL1 <sup>†††</sup> (per IPC/JEDEC J-STD-020C)
<b>ESD</b>	Machine Model	Class B (per JEDEC standard EIA/JESD22-A115-A)	
	Human Body Model	Class 1B (per EIA/JEDEC standard JESD22-A114-B)	
<b>IC Latch-Up Test</b>		Class I, Level A (per JESD78A)	
<b>RoHS Compliant</b>		Yes	

† Qualification standards can be found at International Rectifier's web site <http://www.infineon.com/>

†† Higher qualification ratings may be available should the user have such requirements. Please contact your International Rectifier sales representative for further information.

††† Higher MSL ratings may be available for the specific package types listed here. Please contact your International Rectifier sales representative for further information.

**Revision History**

<b>Date</b>	<b>Comment</b>
01/04/2017	<ul style="list-style-type: none"> <li>• Updated "Infineon" logo –all pages</li> <li>• Added disclaimer on last page.</li> <li>• Updated part marking information on page 11.</li> </ul>

**Published by  
Infineon Technologies AG  
81726 Munich, Germany  
© Infineon Technologies AG 2016  
All Rights Reserved.**

### **IMPORTANT NOTICE**

The information given in this document shall in no event be regarded as a guarantee of conditions or characteristics ("Beschaffenhheitsgarantie"). With respect to any examples, hints or any typical values stated herein and/or any information regarding the application of the product, Infineon Technologies hereby disclaims any and all warranties and liabilities of any kind, including without limitation warranties of non-infringement of intellectual property rights of any third party.

In addition, any information given in this document is subject to customer's compliance with its obligations stated in this document and any applicable legal requirements, norms and standards concerning customer's products and any use of the product of Infineon Technologies in customer's applications.

The data contained in this document is exclusively intended for technically trained staff. It is the responsibility of customer's technical departments to evaluate the suitability of the product for the intended application and the completeness of the product information given in this document with respect to such application.

For further information on the product, technology, delivery terms and conditions and prices please contact your nearest Infineon Technologies office ([www.infineon.com](http://www.infineon.com)).

### **WARNINGS**

Due to technical requirements products may contain dangerous substances. For information on the types in question please contact your nearest Infineon Technologies office.

Except as otherwise explicitly approved by Infineon Technologies in a written document signed by authorized representatives of Infineon Technologies, Infineon Technologies' products may not be used in any applications where a failure of the product or any consequences of the use thereof can reasonably be expected to result in personal injury.