

Chipsmall Limited consists of a professional team with an average of over 10 year of expertise in the distribution of electronic components. Based in Hongkong, we have already established firm and mutual-benefit business relationships with customers from,Europe,America and south Asia,supplying obsolete and hard-to-find components to meet their specific needs.

With the principle of “Quality Parts,Customers Priority,Honest Operation,and Considerate Service”,our business mainly focus on the distribution of electronic components. Line cards we deal with include Microchip,ALPS,ROHM,Xilinx,Pulse,ON,Everlight and Freescale. Main products comprise IC,Modules,Potentiometer,IC Socket,Relay,Connector.Our parts cover such applications as commercial,industrial, and automotives areas.

We are looking forward to setting up business relationship with you and hope to provide you with the best service and solution. Let us make a better world for our industry!



Contact us

Tel: +86-755-8981 8866 Fax: +86-755-8427 6832

Email & Skype: info@chipsmall.com Web: www.chipsmall.com

Address: A1208, Overseas Decoration Building, #122 Zhenhua RD., Futian, Shenzhen, China

SPECIFICATION

IS.04 868MHz Hercules ISM Band Antenna

- Part No. : **IS.04.B.301111**
- Product Name : 868MHz Hercules ISM Band Antenna
Screw-mount (Permanent mount)
- Features : Low profile-Height 29mm and diameter 49mm
Heavy duty screw mount
UV and Vandal resistant PC housing
IP67 & IP69K
Standard cable is 3m RG174 with SMA(M)-
connector fully customizable
ROHS Compliant



1. INTRODUCTION

The 868MHz Hercules ISM antenna is a high performance steel thread-mount ISM antenna for external use on vehicles and outdoor assets worldwide. Omni-directional high gain across all bands ensures constant reception and transmission. Durable UV resistant PC housing is resistant to vandalism and direct attack. At only 29 mm height it complies with the latest EU height restrictions directives for roof-mounted objects, with a diameter of 52 mm. Designed to not catch on tree-branches. The antenna can be mounted on metal structures.

2. SPECIFICATION

ELECTRICAL					
Standard	ISM				
Band (MHz)	868				
Frequency (MHz)	868-870				
Cable Length (m)	0.3	1.0	2.0	3.0	5.0
Return Loss (dB)	-13.95	-14.09	-13.84	-13.07	-21.93
Efficiency (%)	26.88	43.12	38.52	33.75	20.45
Gain (dBi)	1.17	2.09	1.98	1.98	1.03
Polarization	Linear				
Impedance	50 ohms				
Max Input Power	10 watts				
VSWR	<2.5:1				

*Note: The return loss, efficiency and gain in the above table, were measured on 30x30 cm metal plate with RG174 cable. For a specific case performance refers to the below plots.

MECHANICAL	
Dimensions	Height = 29 mm and Diameter = 49 mm
Cable length	3m RG174 – Fully Customable
Connector	SMA-Male – Fully Customable
Casing	UV Resistant PC
Base and Thread	Nickel plated steel
Thread Diameter	18 mm
Weather proof gasket	Rubber
Sealant	Rubber Stopper
ENVIRONMENTAL	
Protection	IP67 & IP69K
Corrosion	5% NaCl for 48hrs - Nickel plated steel base and thread
Temperature Range	-40°C to +85°C
Thermal Shock	100 cycles -40°C to +85°C
Humidity	Non-condensing 65°C 95% RH
Shock (Drop Test)	1m drop on concrete 6 axes
Cable Pull	8 Kgf
Recommended Torque Setting for Mounting	24.5N·m
Maximum Torque Setting for Mounting	29.4N·m
Weight	152g

*Note: Specifications may be subject to change

3. TEST SET UP



Figure 1. IS.04 Antenna test set up in free space, 30x30 cm metal plate and 60x60 cm metal plate, R&SZVL6 VNA (left) and R&S4100 CTIA 3D Chamber (Right).

4. ANTENNA PARAMETERS

4.1 Return Loss

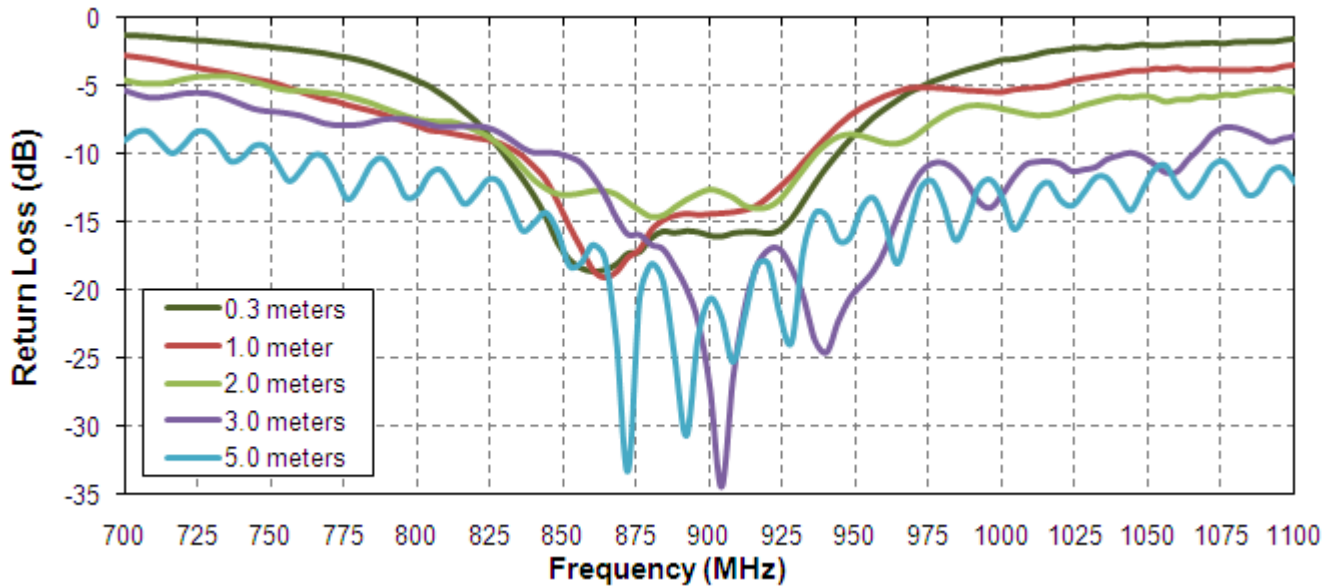


Figure 2. Return Loss of the 868MHz Hercules ISM antenna in free space

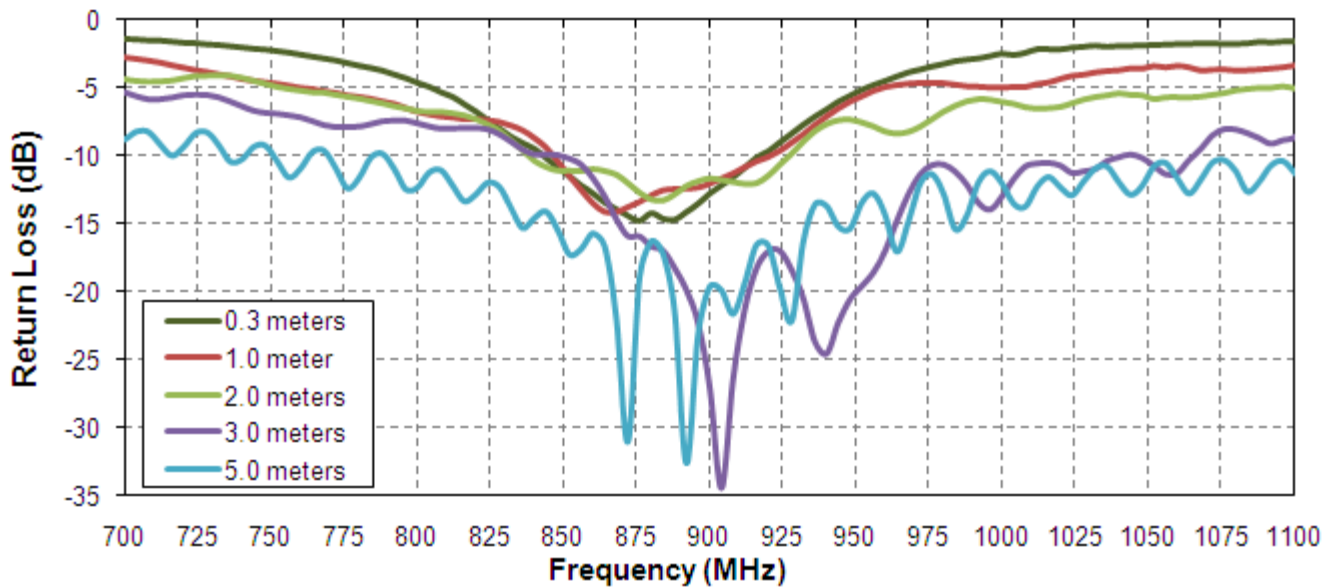


Figure 3. Return loss of the 868MHz Hercules ISM antenna on 30x30 cm metal plate.

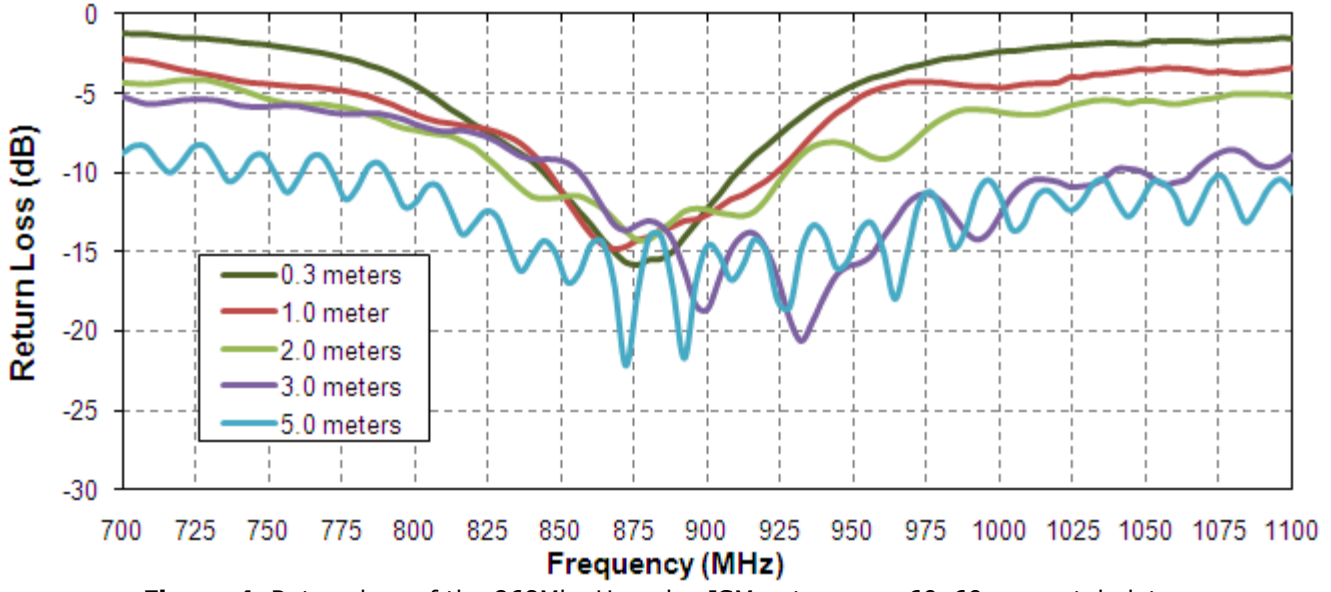


Figure 4. Return loss of the 868MHz Hercules ISM antenna on 60x60 cm metal plate.

4.2 Efficiency

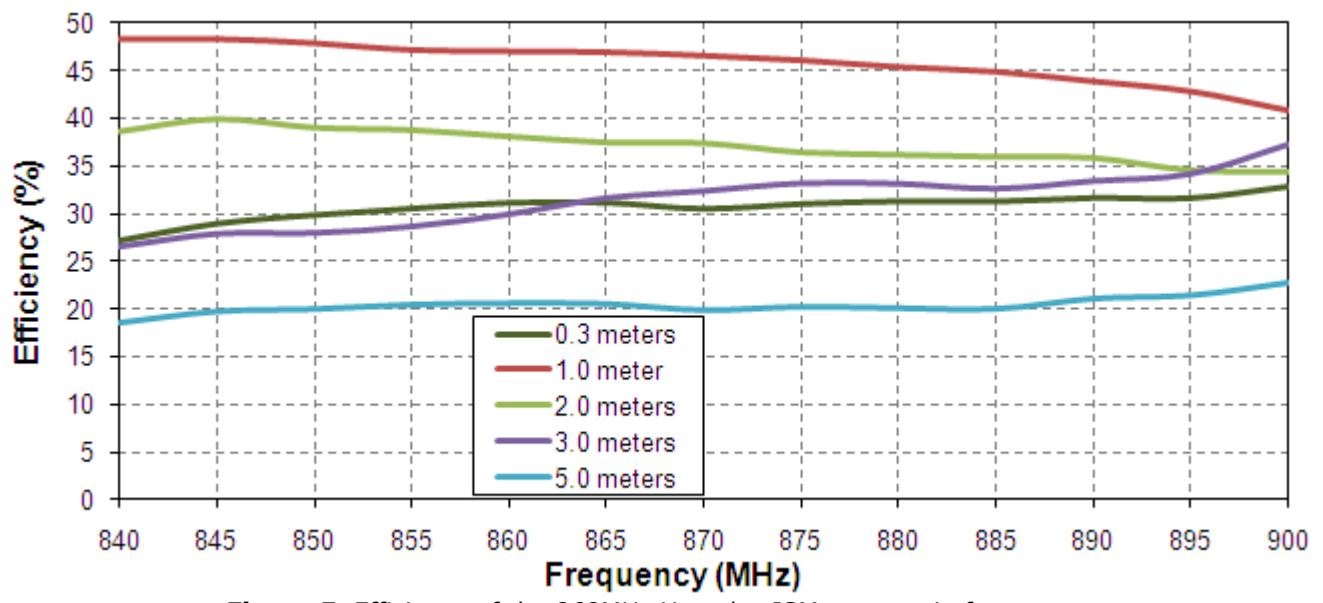


Figure 5. Efficiency of the 868MHz Hercules ISM antenna in free space.

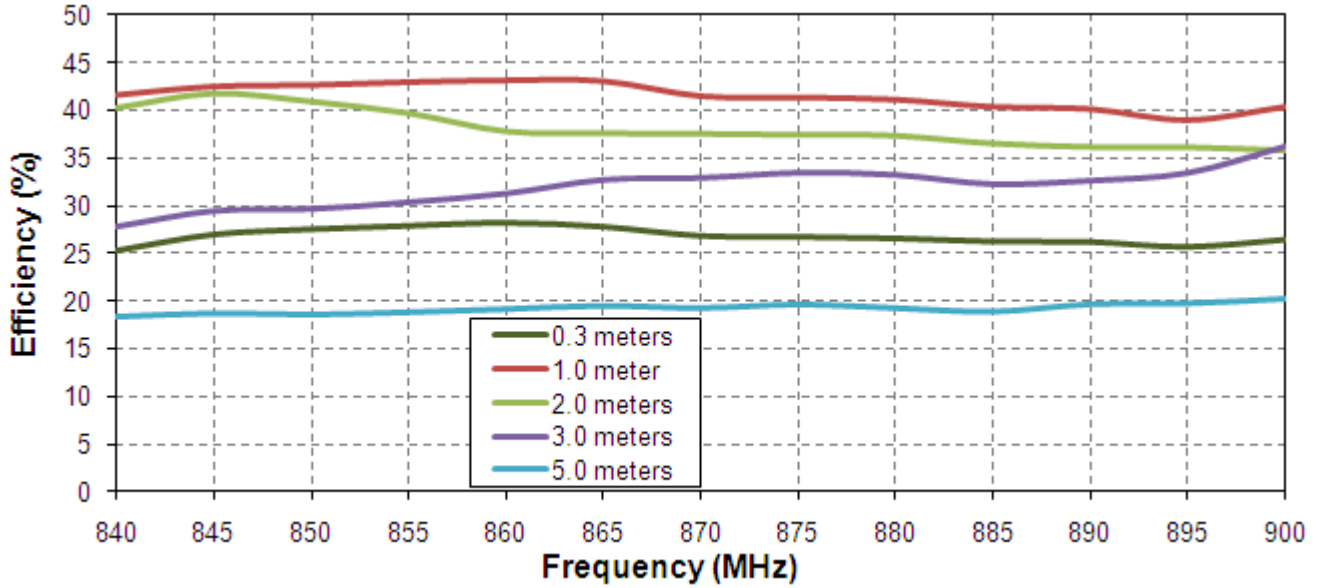


Figure 6. Efficiency of the 868MHz Hercules ISM antenna on 30x30 cm metal plate.

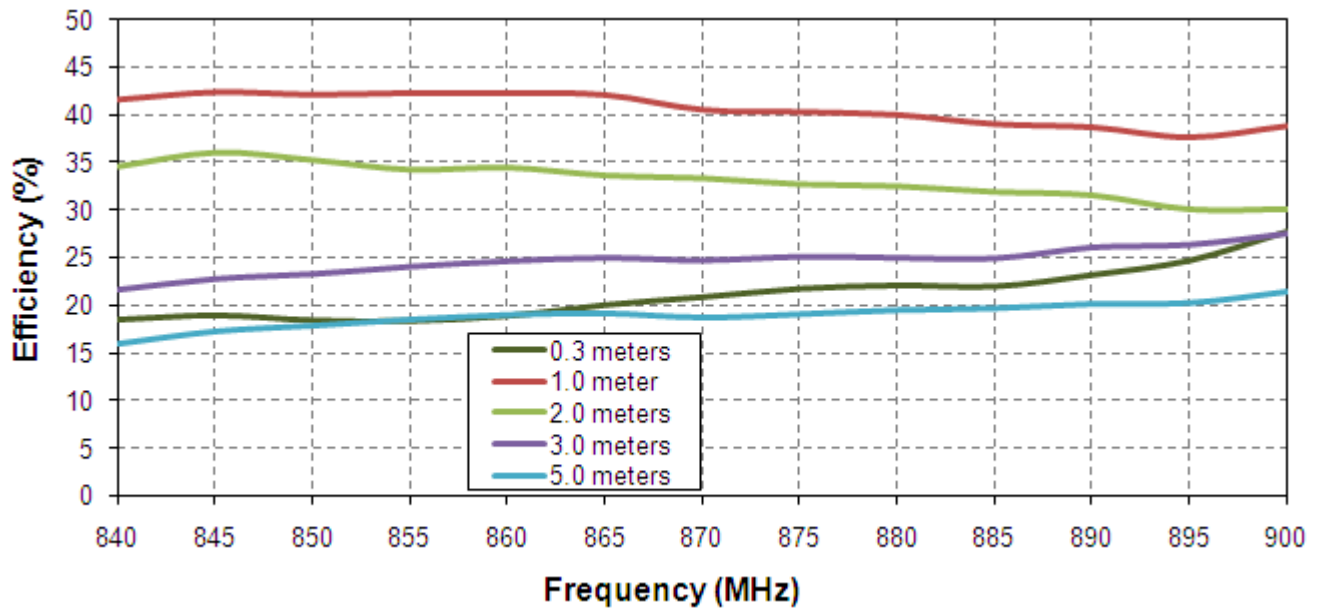


Figure 7. Efficiency of the 868MHz Hercules ISM antenna on 60x60 cm metal plate.

4.3 Gain

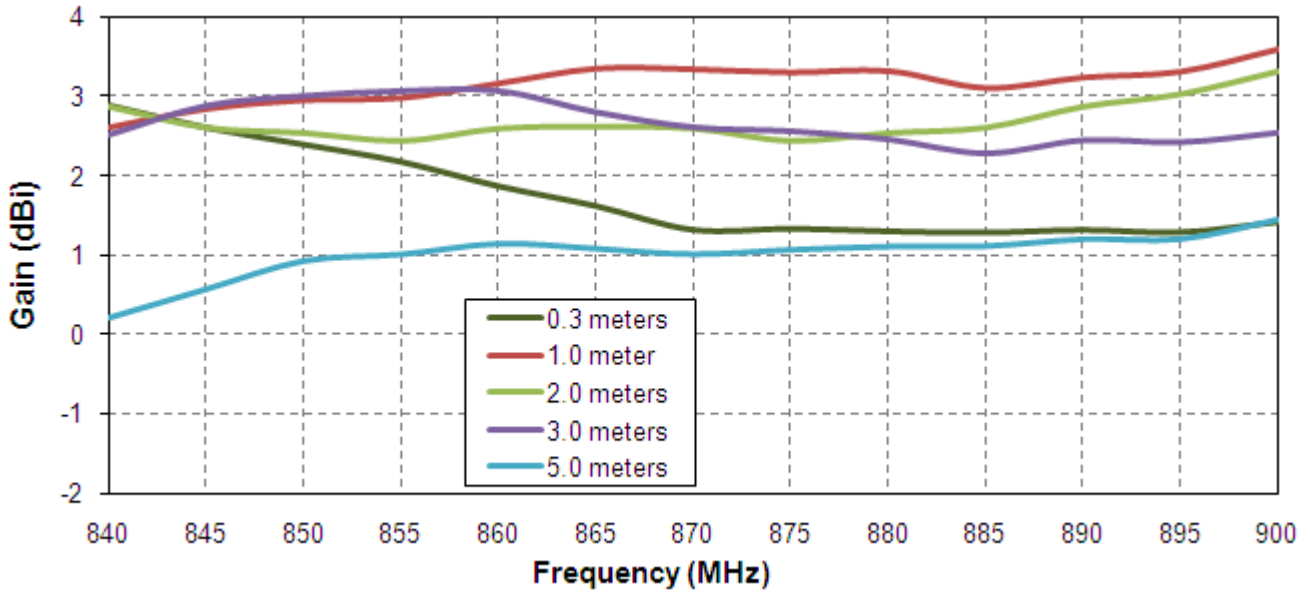


Figure 8. Gain of the 868MHz Hercules ISM antenna in free space.

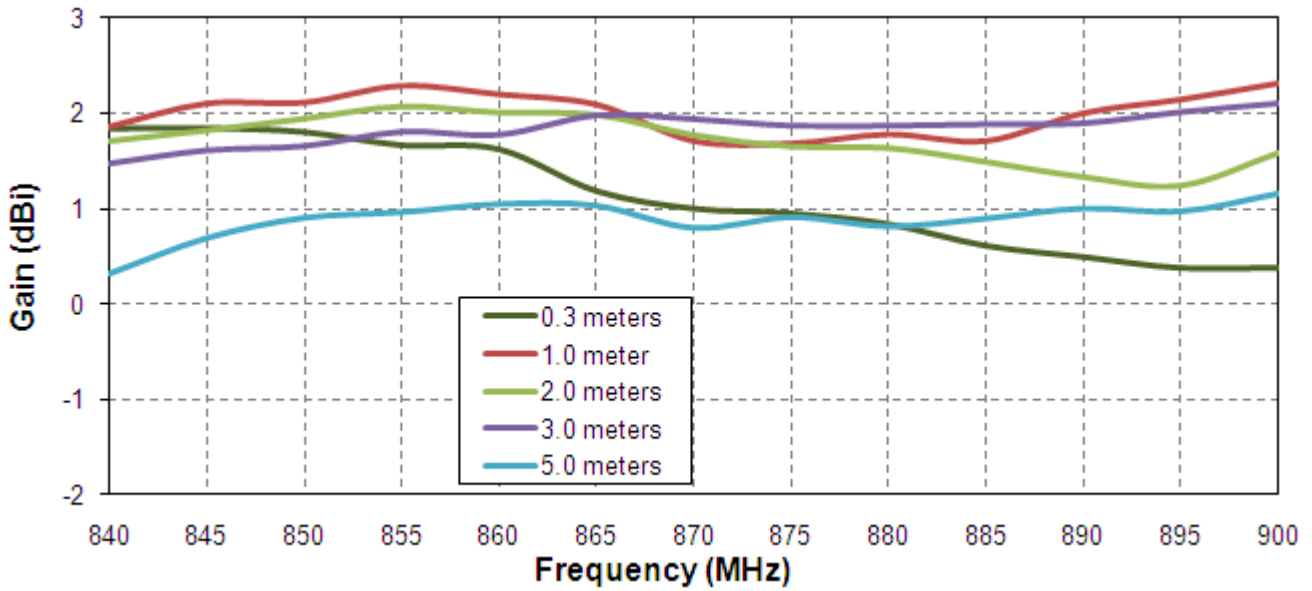


Figure 9. Gain of the 868MHz Hercules ISM antenna on 30x30 cm metal plate.

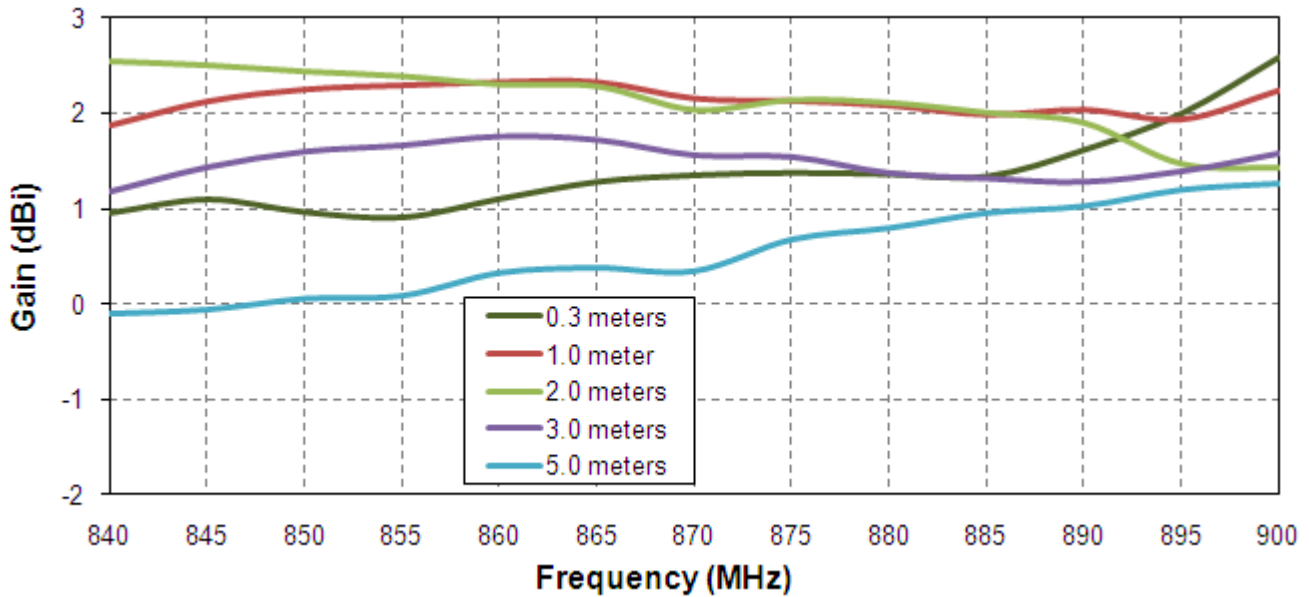


Figure 10. Gain of the 868MHz Hercules ISM antenna on 60x60 cm metal plate.

4.4. Radiation Pattern

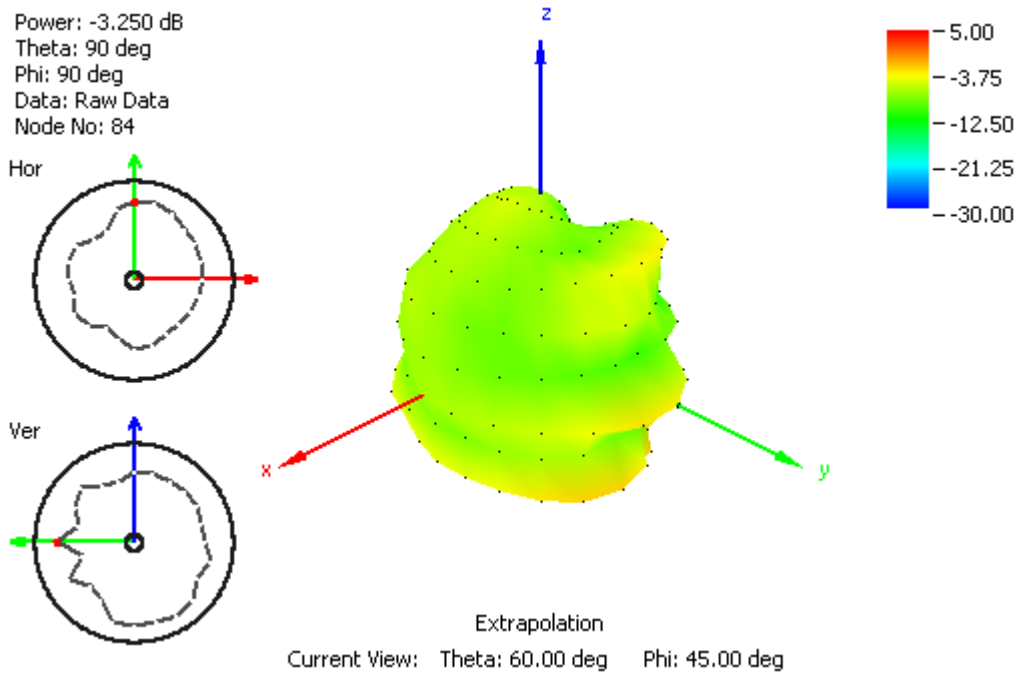


Figure 11. Radiation pattern at 85 MHz, Figure 1 as reference (dB), with 2m RG174 cable and free space.

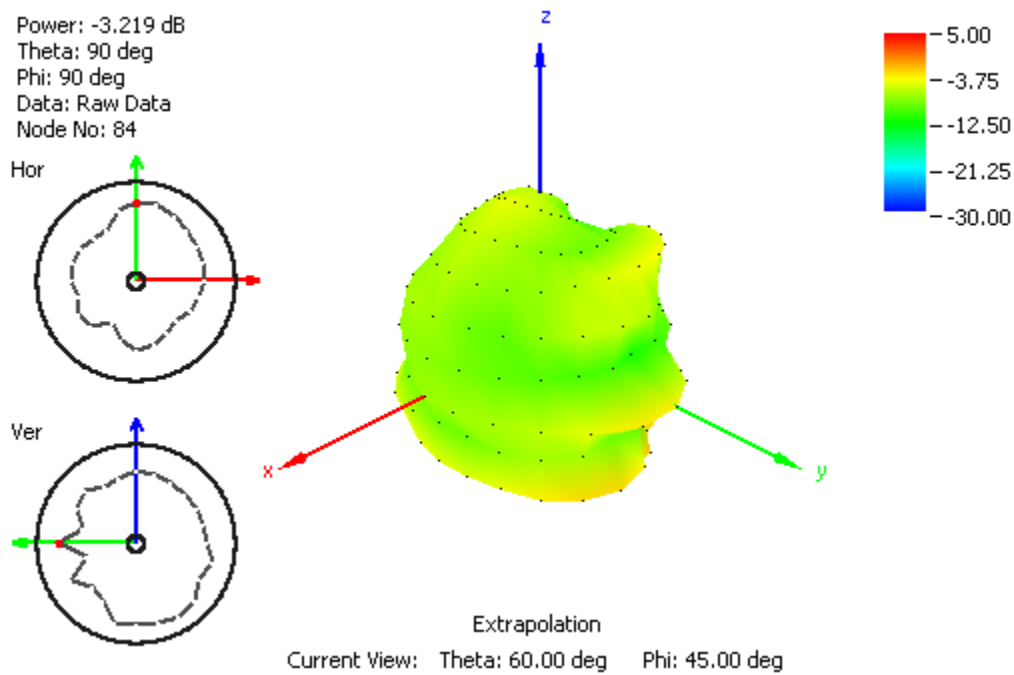


Figure 12. Radiation pattern at 868 MHz, Figure 1 as reference (dB), with 2m RG174 cable and free space.

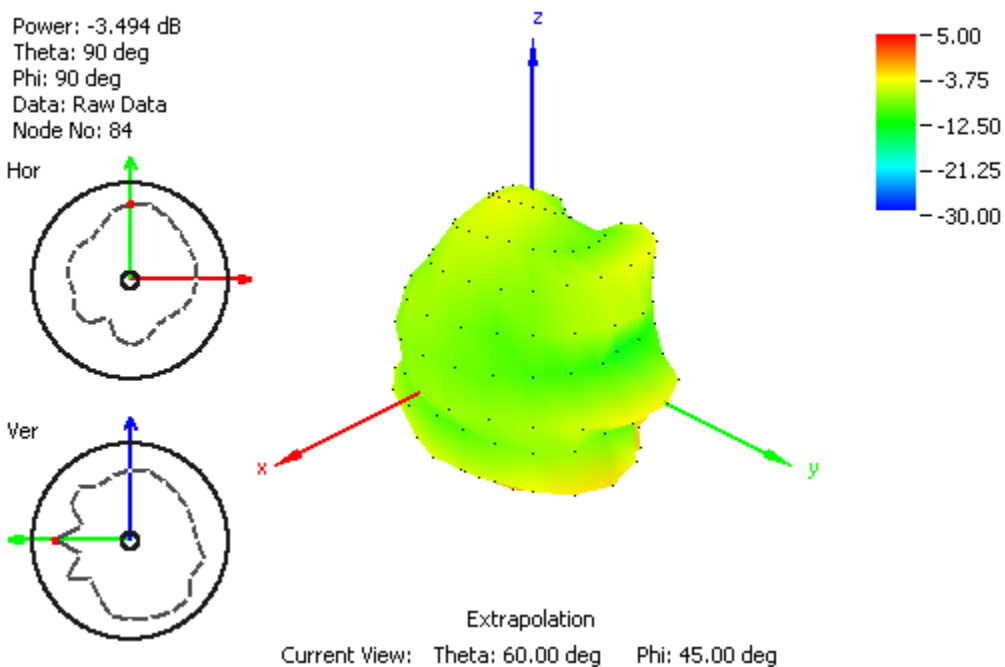


Figure 13. Radiation pattern at 870 MHz, Figure 1 as reference (dB), with 2m RG174 cable free space.

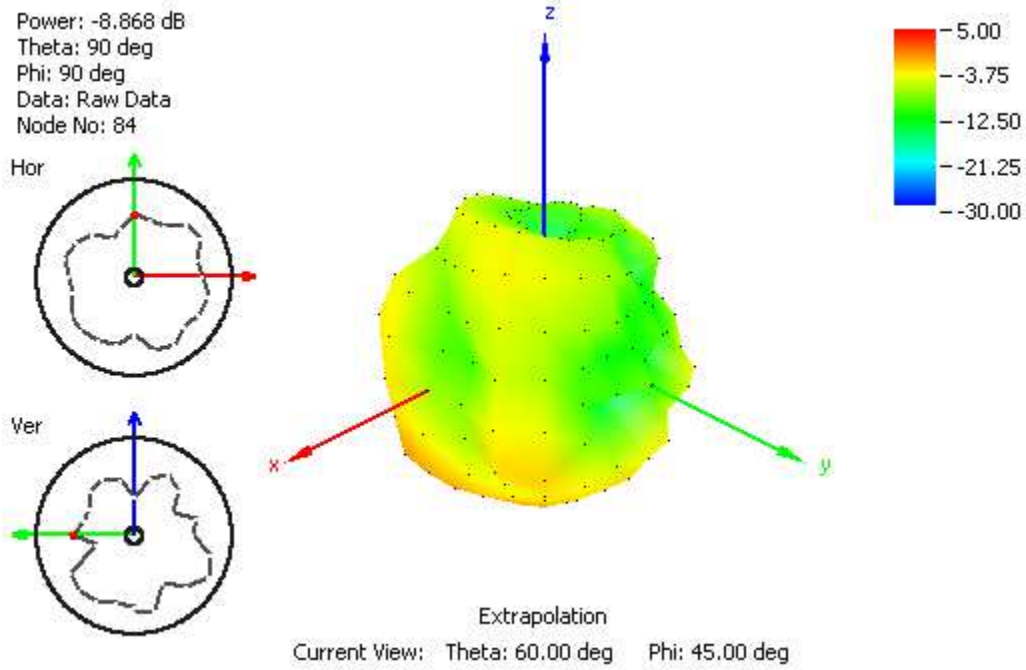


Figure 14. Radiation pattern at 865 MHz, Figure 1 as reference (dB), with 2m RG174 cable and 30x30 cm metal plate.

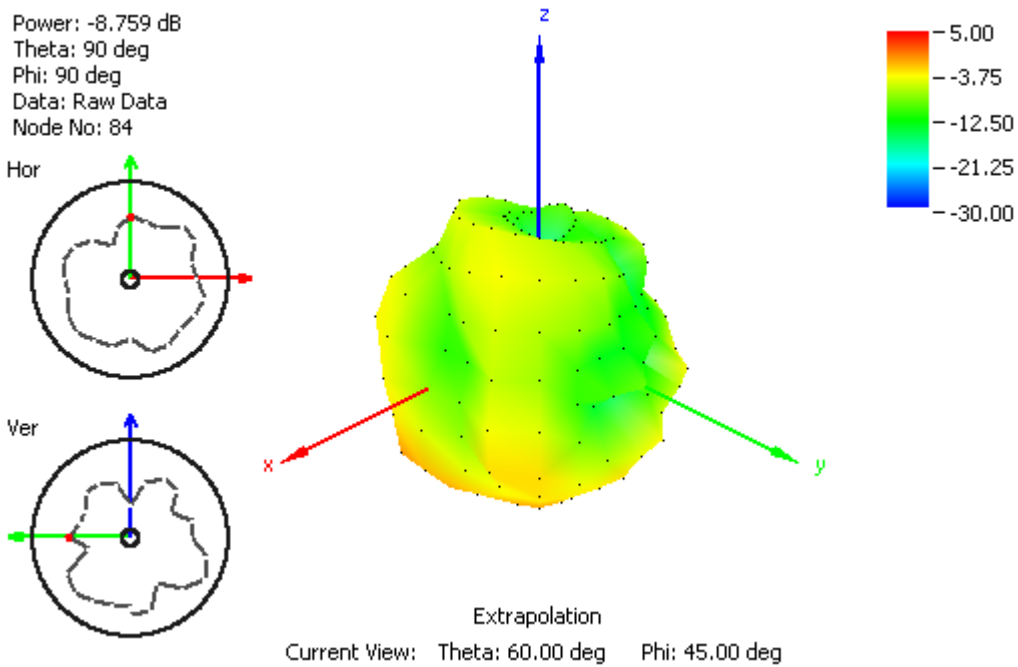


Figure 15. Radiation pattern at 868 MHz, Figure 1 as reference (dB), with 2m RG174 cable and 30x30 cm metal plate.

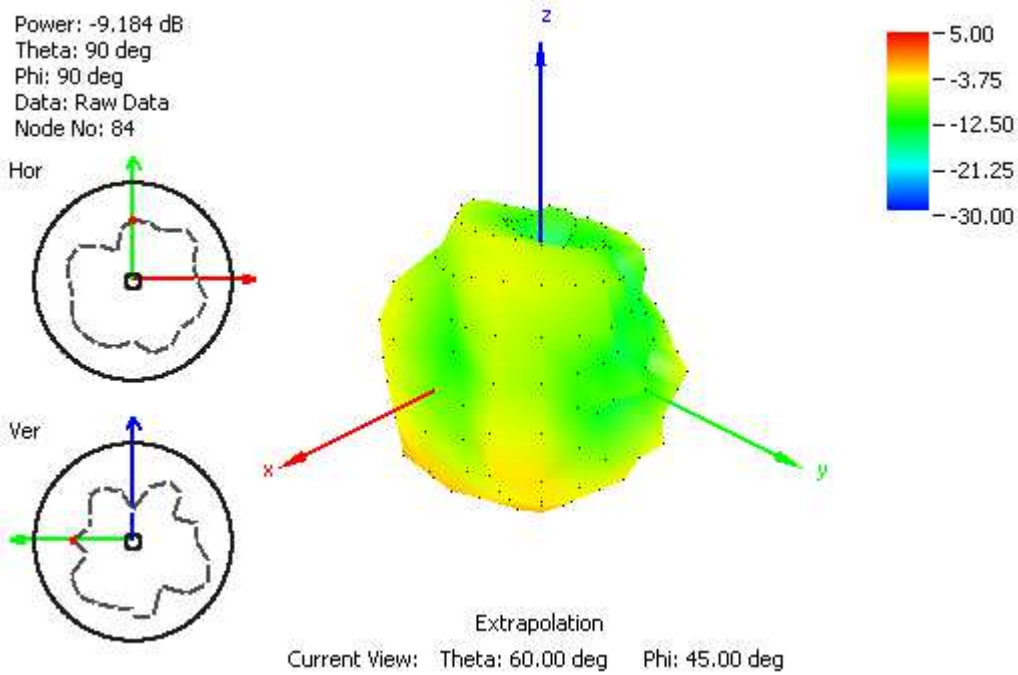


Figure 16. Radiation pattern at 870 MHz, Figure 1 as reference (dB), with 2m RG174 cable 30x30 cm metal plate.

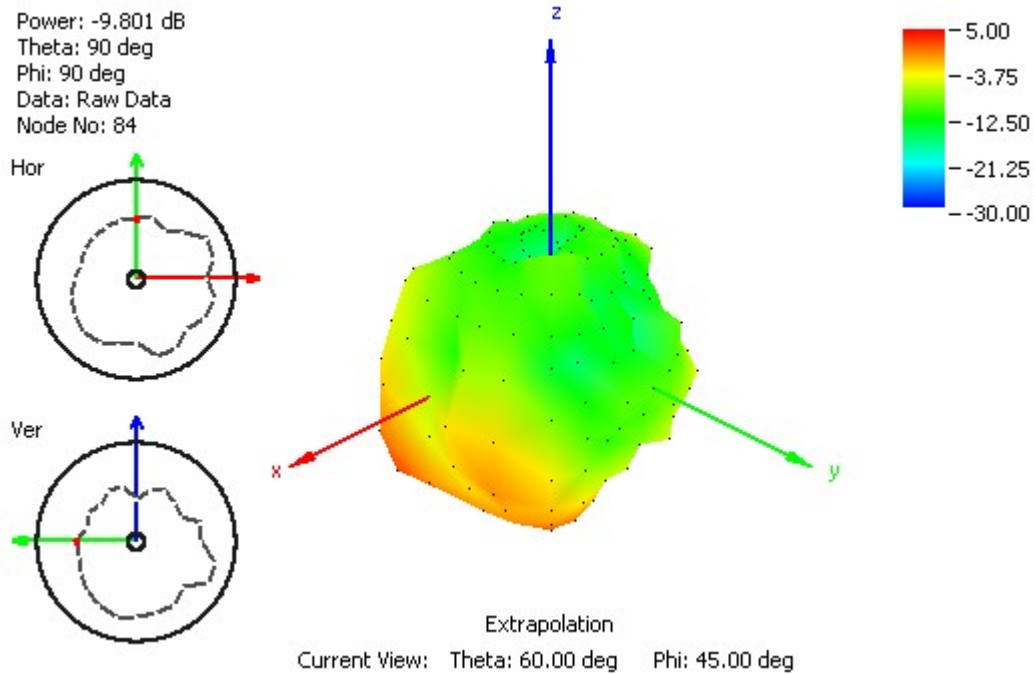


Figure 17. Radiation pattern at 865 MHz, Figure 1 as reference (dB), with 2m RG174 cable and 60x60 cm metal plate.

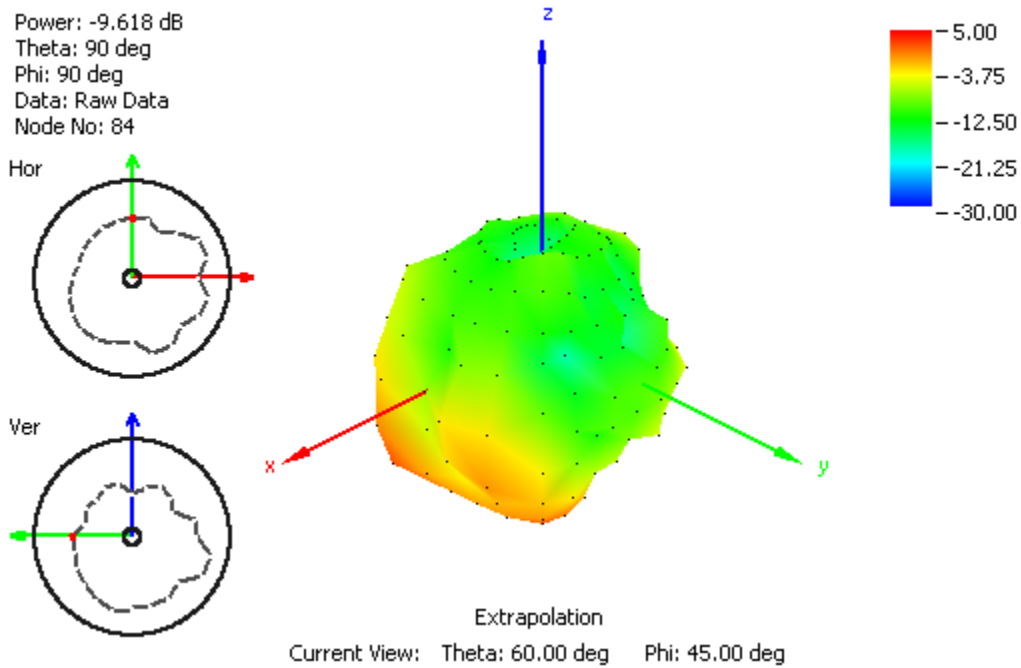


Figure 18. Radiation pattern at 868 MHz, Figure 1 as reference (dB), with 2m RG174 cable and 60x60 cm metal plate.

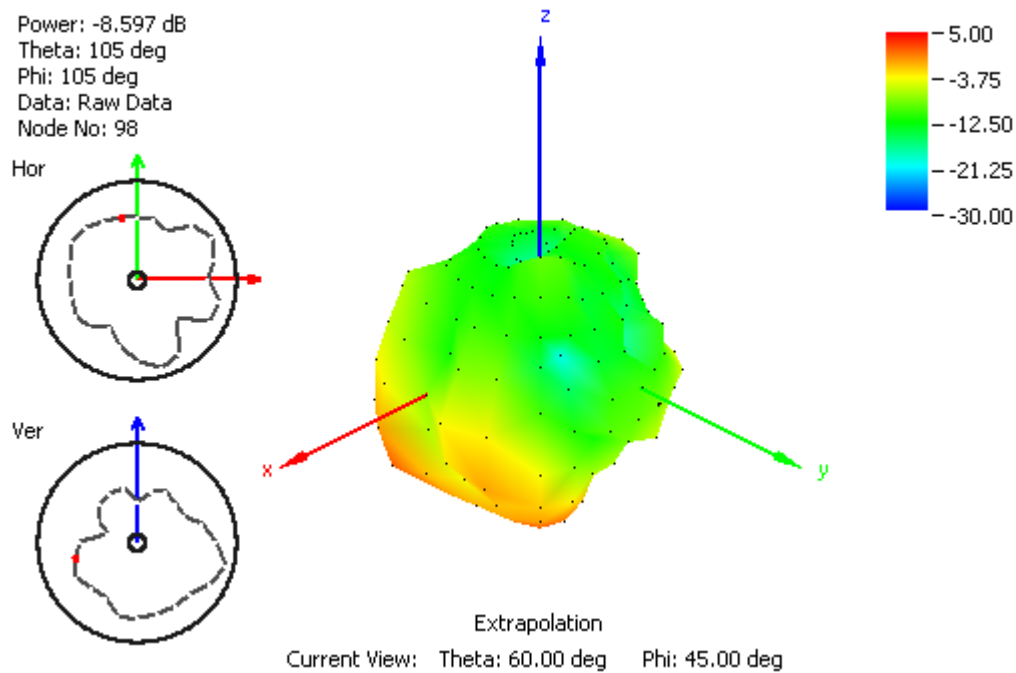
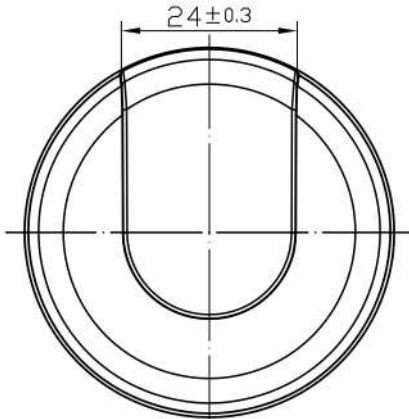


Figure 19. Radiation pattern at 870 MHz, Figure 1 as reference (dB), with 2m RG174 cable 60x60 cm metal plate.

5. MECHANICAL DRAWINGS

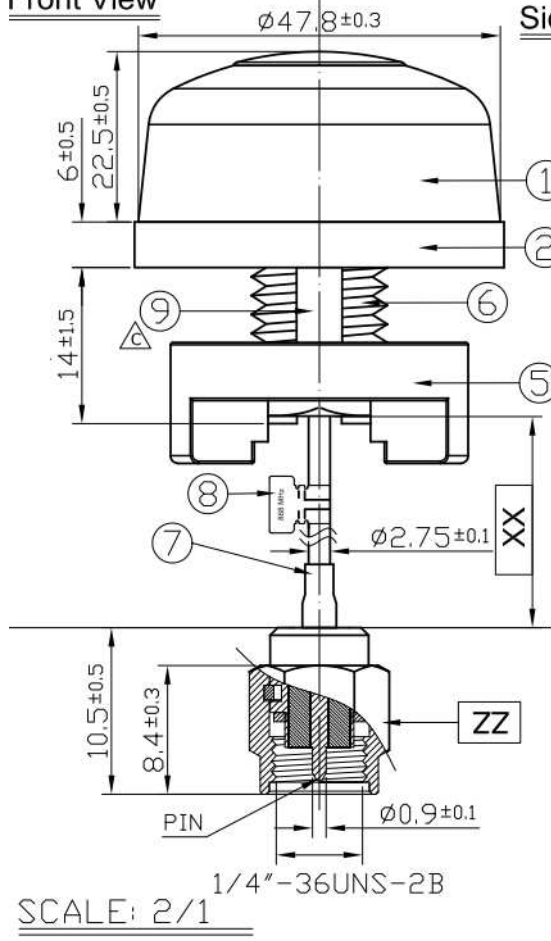
Top View



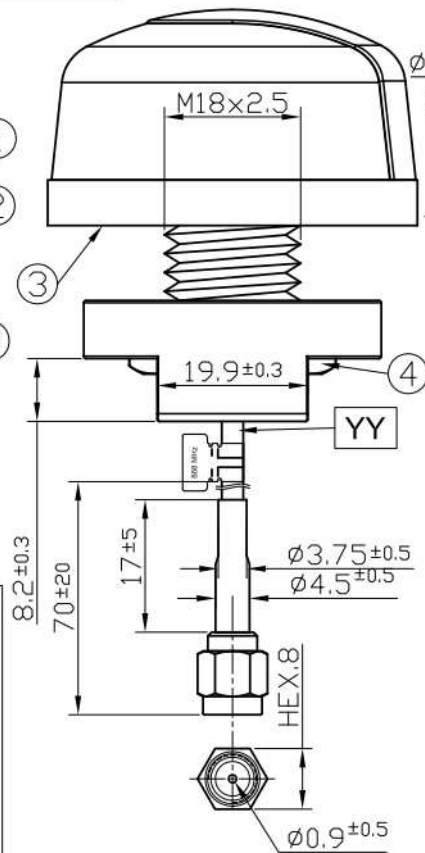
Name	Material	Finish	QTY
1 Housing	PC	Black	1
2 Closed Cell Foam	CR 4305	Black	1
3 3M Double Adhesive	3M 9448 WC	White Liner	1
4 M18 Inner Nut	Steel Carbon	Ni Plated	1
5 Outer Nut Cover	ABS	Black	1
6 Metal Base	Zinc Alloy	Ni Plated	1
7 Heat Shrink Tube	PE	Black	1
8 868MHz Label	Coated Paper	Burly Wood	1
9 Rubber Stopper	Silicon Rubber	Black	1

Name	Spec	Finish	QTY
XX Cable Length	3000mm±30mm		1
YY Cable Type	RG174	Black	1
ZZ Connector Type	SMA(M) ST	Gold	1

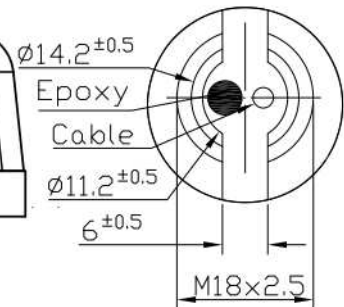
Front View



Side View

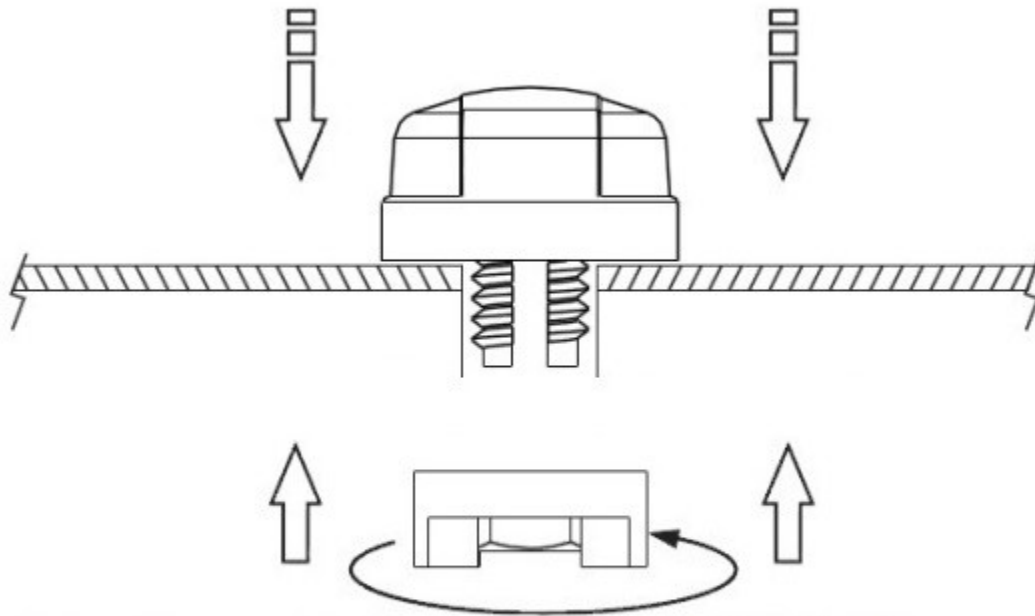


Bottom Thread View



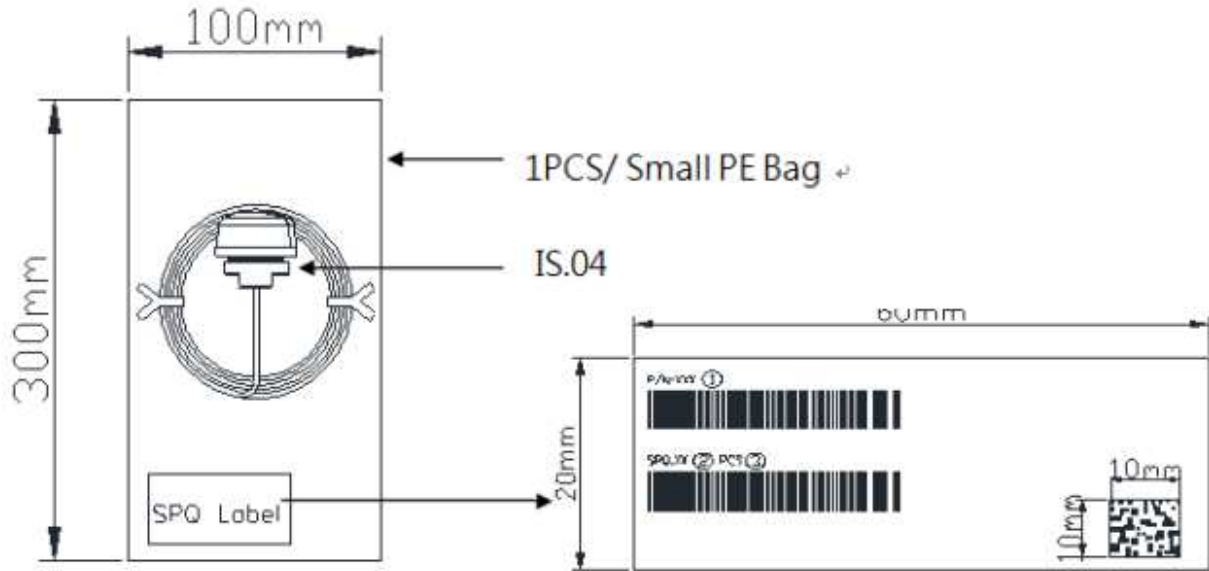
SCALE: 2/1

6. INSTALLATION



Recommended torque for Mounting is 24.5N·m
Maximum torque for mounting is 29.4N·m

7. PACKAGING



- ① P/N: Taoglas的品號
- ② SPQ QTY: SPQ的數量
- ③ Unit: 每一數量的單位



Shipping Label

60PCS/Carton

(320x250x290mm)



Taoglas makes no warranties based on the accuracy or completeness of the contents of this document and reserves the right to make changes to specifications and product descriptions at any time without notice. Taoglas reserves all rights to this document and the information contained herein.

Reproduction, use or disclosure to third parties without express permission is strictly prohibited.



Copyright © Taoglas Ltd.