



Chipsmall Limited consists of a professional team with an average of over 10 year of expertise in the distribution of electronic components. Based in Hongkong, we have already established firm and mutual-benefit business relationships with customers from,Europe,America and south Asia,supplying obsolete and hard-to-find components to meet their specific needs.

With the principle of “Quality Parts,Customers Priority,Honest Operation,and Considerate Service”,our business mainly focus on the distribution of electronic components. Line cards we deal with include Microchip,ALPS,ROHM,Xilinx,Pulse,ON,Everlight and Freescale. Main products comprise IC,Modules,Potentiometer,IC Socket,Relay,Connector.Our parts cover such applications as commercial,industrial, and automotives areas.

We are looking forward to setting up business relationship with you and hope to provide you with the best service and solution. Let us make a better world for our industry!



## Contact us

Tel: +86-755-8981 8866 Fax: +86-755-8427 6832

Email & Skype: info@chipsmall.com Web: www.chipsmall.com

Address: A1208, Overseas Decoration Building, #122 Zhenhua RD., Futian, Shenzhen, China



### DISTINCTIVE CHARACTERISTICS

- Programmable display graphics for alphanumeric characters and animated sequences
- 64 colors of backlighting can be controlled dynamically
- Pushbutton switches or display with LCD, RGB LED backlighting
- General brightness of backlight is dynamically controlled in eight steps from dark to bright
- Operated by commands and data supplied via serial communications (SPI)
- Incorporates bitmap display function
- Dual image VRAM for quick change of displayed images
- Travel options: Short travel of 1.8mm, or long travel of 4.5mm (same as KP01 Series)
- Low energy consumption
- Dust tight construction

#### Viewing areas:

Switches - 17.0mm x 13.0mm (horizontal x vertical)

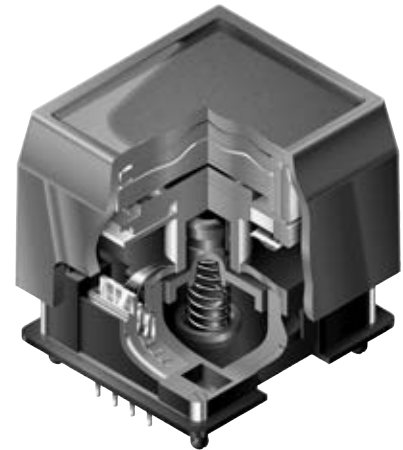
Display - 14.4mm x 11.8mm

High reliability and long life of one million (short travel) or three million (long travel) actuations

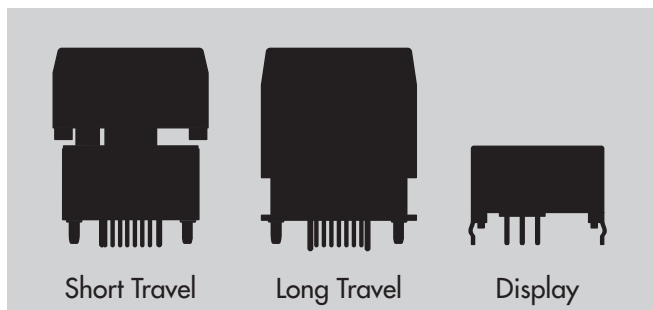
High resolution of 64 x 32 pixels

Epoxy sealed straight PC terminals

Snap-in standoff legs on the switches, or display's bracket with crimped legs, ensure secure mounting and alignment and prevent dislodging during wave soldering.



Actual Sizes of Switches & Display





**IS15EBFP4RGB-09YN**  
 RGB LED Backlight  
 Black and White LCD  
 Short Travel

**IS15EBFP4RGB**  
 RGB LED Backlight  
 Black and White LCD  
 Long Travel



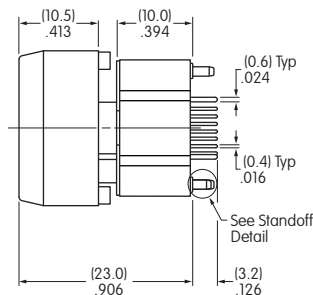
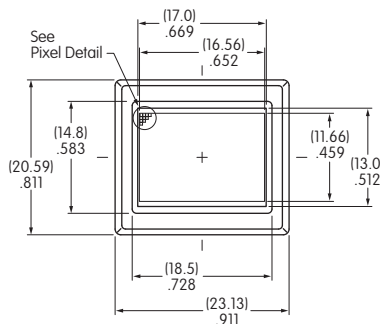
## SWITCH PART NUMBERS & DESCRIPTION

Part Numbers	Switch Description	LCD Mode	LED Color
<b>IS15EBFP4RGB-09YN</b> <b>IS15EBFP4RGB</b>	SPST Momentary ON Gold Contacts Straight PC Terminals	Black & White FSTN Positive	Red/Green/Blue

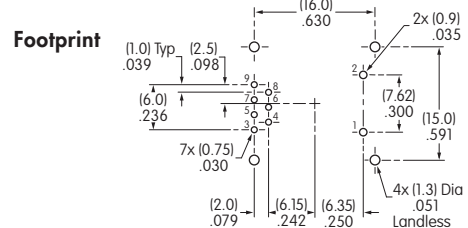
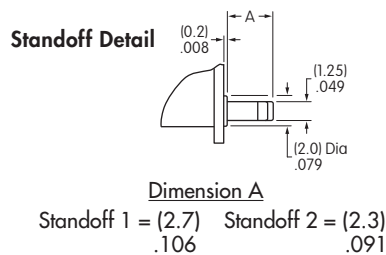
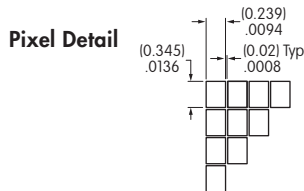
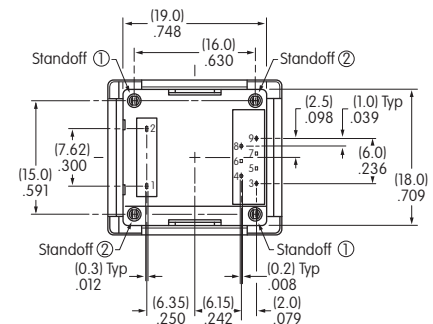
## SWITCH SPECIFICATIONS

	Short Travel	Long Travel
<b>Circuit</b>	SPST normally open	SPST normally open
<b>Electrical Capacity (Resistive Load)</b>	100mA @ 12V DC	100mA @ 12V DC
<b>Contact Resistance</b>	200 milliohms maximum @ 20mV 10mA	200 milliohms maximum @ 20mV 10mA
<b>Insulation Resistance</b>	100 megohms minimum @ 100V DC	100 megohms minimum @ 100V DC
<b>Dielectric Strength</b>	125V AC for 1 minute minimum	125V AC for 1 minute minimum
<b>Mechanical Endurance</b>	1,000,000 operations minimum	3,000,000 operations minimum
<b>Electrical Endurance</b>	1,000,000 operations minimum	3,000,000 operations minimum
<b>Operating Force</b>	1.7 ± 0.5 Newtons	2.0 ± 0.5 Newtons
<b>Total Travel</b>	1.8mm (.071")	4.5mm (.177")

## TYPICAL SWITCH DIMENSIONS FOR SHORT TRAVEL



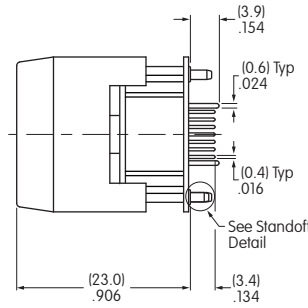
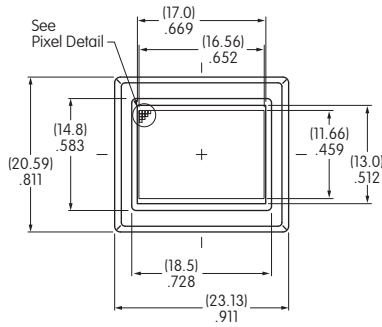
Terminal numbers are not on the switch.



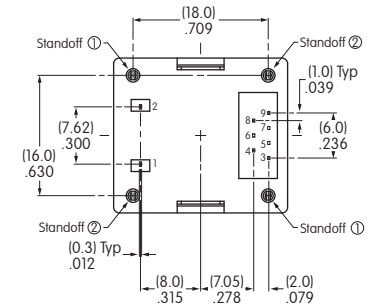
The Compact LCD 64 x 32 Pushbutton may utilize the same footprint as the Short Travel LCD 64 x 32 Pushbutton.



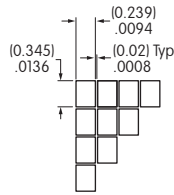
### TYPICAL SWITCH DIMENSIONS FOR LONG TRAVEL



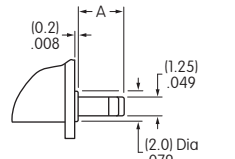
Terminal numbers are not on the switch.



Pixel Detail

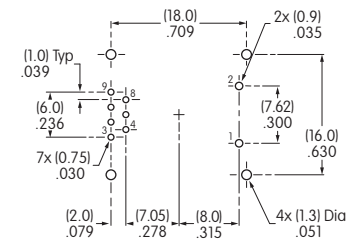


Standoff Detail



Standoff 1 = (2.7) .106  
Standoff 2 = (2.3) .091

Footprint



The following pages for Wide View LCD 64 x 32 Pushbuttons apply to the both Short Travel and Long Travel LCD 64 x 32 Pushbuttons.

### LCD SPECIFICATIONS

#### Characteristics of Display

Display Operation Mode	FSTN positive; background colors, black & white
Display Condition	Transflective with built-in LED backlight
Viewing Angle Direction	6 o'clock
Viewing Area	17.0mm x 13.0mm (horizontal x vertical)
Pixel Format	64 x 32 pixels (horizontal x vertical)
Pixel Size	0.239mm x 0.345mm (horizontal x vertical)
*Operating Temperature Range	-15°C ~ +50°C (+5°F ~ +122°F)
Storage Temperature Range	-20°C ~ +60°C (-4°F ~ +140°F)
Backlight LED	RGB: red/green/blue

\* In a low temperature environment (below 0°C), speed and contrast decrease when image changes. The non-indicator dot may become dense in a high temperature environment (about +50°C). Highest backlight brightness level should not be used for temperatures above +35°C.

#### Absolute Maximum Ratings (Temperature at 25°C)

Items	Symbols	Ratings
Supply Voltage	$V_{DD}$	-0.3V to +7.0V
Input Voltage	$V_I$	-0.3V to $V_{DD} + 0.3V$
Output Voltage	$V_O$	-0.3V to $V_{DD} + 0.3V$

#### Optical Characteristics (Temperature at 25°C)

Items	Symbols	Min	Typical	Max
Contrast Ratio	Cr	—	3.0	—
Viewing Angle (Cr ≥ 1.1)	Up & Down	$\theta$	90°	—
	Right & Left	$\phi$	90°	—

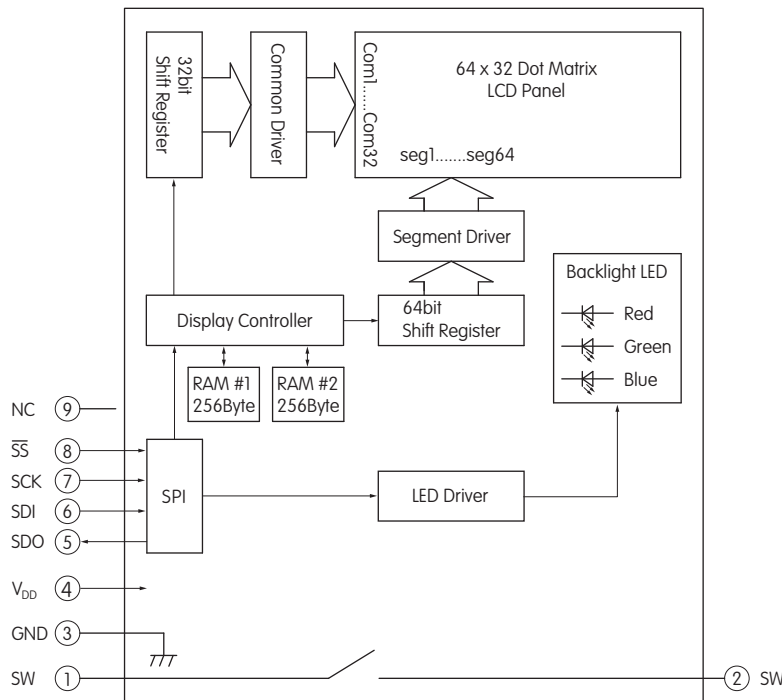
## Recommended Operating Conditions (Temperature at 25°C)

Items	Symbols	Minimum	Typical	Maximum
Supply Voltage	$V_{DD}$	4.9V	5.0V	5.1V
High Level Input Voltage	$V_{IH}$	$0.8 V_{DD}$	—	—
Low Level Input Voltage	$V_{IL}$	—	—	$0.2V_{DD}$
SPI Clock Frequency	$f_{SCK}$	—	—	8MHz
Current Consumption	$I_{DD}$	** 10mA	—	*** 60mA

\*\* 10mA: Backlighting LED is off

\*\*\* 60mA: Backlighting LEDs (Red, Green, Blue) are maximum brightness

## SWITCH BLOCK DIAGRAM & PIN CONFIGURATIONS



Pin No.	Symbol	Name	Function
①	SW	Terminal of Switch	Normally open
②	SW	Terminal of Switch	Normally open
③	GND	Ground	
④	$V_{DD}$	Power	Power source for logic circuit and LCD
⑤	SDO	Data Out	Data output line for SPI
⑥	SDI	Data In	Data input line for SPI
⑦	SCK	Serial Clock	Clock line for SPI that synchronizes commands and data
⑧	$\overline{SS}$	Slave Select	Chip select for SPI; line is active low
⑨	NC	None	No connection

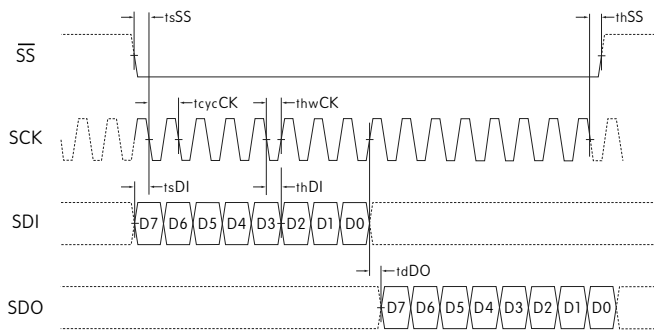
TIMING SPECIFICATIONS FOR SWITCHES & DISPLAY

SPI Characteristics (See Timing Diagram)

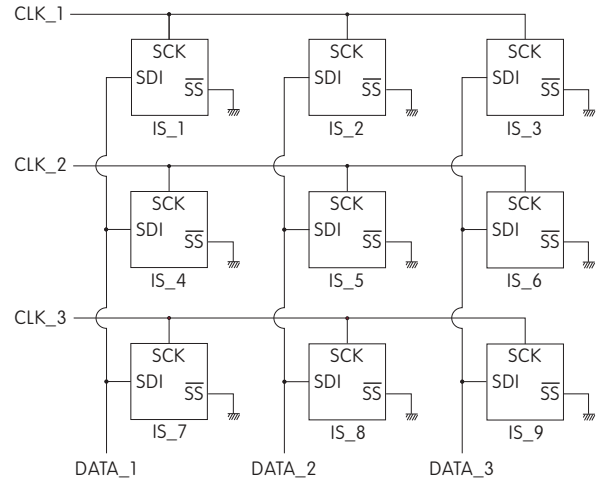
(Temperature at -15°C ~ +50°C and V<sub>DD</sub> = 5.0V ± 2%)

Items	Symbols	Minimum	Maximum
SPI $\overline{SS}$ Set Up Time	$t_{sSS}$	10ns	
SPI $\overline{SS}$ Hold Time	$t_{hSS}$	10ns	
SPI_CLK Cycle	$t_{cycCK}$		8MHz
SPI_CLK Width	$t_{hwCK}$	10ns	
SPI_DI Set Up Time	$t_{sDI}$	10ns	
SPI_DI Hold Time	$t_{hDI}$	10ns	
SPI_DO Delay Time	$t_{dDO}$	10ns	

SPI Timing Chart ( $\overline{SS}$  Using)

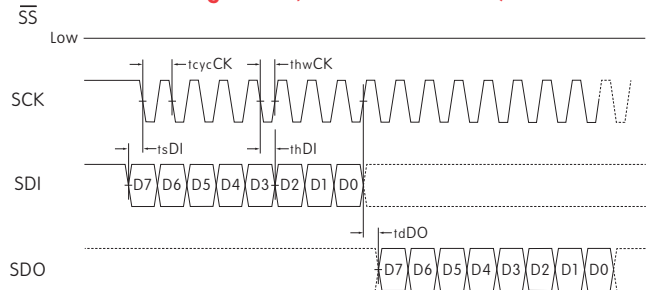


Circuit Example



It is recommended that all  $\overline{SS}$  pins be connected to a controller pin instead of ground. A clock glitch during power up could cause the communication to fall out of sync. Toggling the  $\overline{SS}$  line resets the communication.

SPI Timing Chart ( $\overline{SS}$  Low Level Fixed)



SDI and SCK shall be kept high when idle.

BITMAP

Segment	1	2	3	4	5	6	7	8	9	10	11	12	13	14	15	16	17	18	19	20	21	22	23	24	25	26	27	28	29	30	31	32	33	34	35	36	37	38	39	40	41	42	43	44	45	46	47	48	49	50	51	52	53	54	55	56	57	58	59	60	61	62	63	64
Common	Byte8								Byte7								Byte2								Byte1																																							
COM1	D0	D1	D2	D3	D4	D5	D6	D7	D0	D1	D2	D3	D4	D5	D6	D7	D0	D1	D2	D3	D4	D5	D6	D7	D0	D1	D2	D3	D4	D5	D6	D7																																
COM2	Byte16								Byte9																																																							
COM32	Byte256								Byte249																																																							

Transferring Display Data/Displaying LCD Command and Data Sequence

Command	Data (256 Bytes)
0 x 55	Byte1      Byte2 • • • Byte255      Byte256
0 1 0 1 0 1 0 1	D7 D6 D5 D4 D3 D2 D1 D0      D7 D6 • • • D1 D0      D7 D6 D5 D4 D3 D2 D1 D0

Notes: Display RAM has two screen areas. The first area is for the display on current LCD; the second area is for the data to be displayed next. The screens are changed when the second area is fully stored.

### COMMANDS & DATA

- Transferring display data/displaying on LCD: command (1 Byte) + data (256 Bytes)
- Others: command (1 Byte) + data (1 Byte)
- Commands can be accepted only when all bits coincide; otherwise, they are not acknowledged
- Additional commands will not be received until the communication of commands (1 Byte) and data (256 or 1 Byte) is completed
- There is no time limit from the beginning to end of data receipt
- Commands may be executed consecutively (no need to wait between commands)
- Irregular commands or data are not recognized
- Initial status at power activation: LCD display off, LED off (brightness 1/20, color off)

#### Transferring Display Data/Displaying on LCD

Command		Data	Remarks
Hex	Binary		
0 x 55	01010101	256 Bytes (64 x 32 = 2,048 bits)	See above for details of bitmap data

#### LED (Backlight) Color Set

Command		Data	Remarks
Hex	Binary		
0 x 40	01000000	R R G G B B 1 1 2 bits x 3	For each of RGB: 00 = off                      10 = 1/2 01 = 1/4                      11 = full

#### LED (Backlight) Brightness Set

Command		Data	Remarks
Hex	Binary		
0 x 41	01000001	* * * 1 1 1 1 1 3 bits	For leading 3bits: 000 = 1/20 (dark)            100 = 1/3 001 = 1/10                    101 = 1/2 010 = 1/7                      110 = 2/3 011 = 1/5                      111 = full (bright)

#### Reset (Returning to Initial Status at Power Activation)

Command		Data	Remarks
Hex	Binary		
0 x 5E	01011110	0000011	Returning to initial status at power activation

## PRECAUTIONS FOR HANDLING &amp; STORAGE OF LCD 64 x 32 DEVICES

**Handling**

1. The IS Series devices are electrostatic sensitive.
2. Limit operating force to keytop to 100.0N maximum, as excessive pressure may damage the LCD device.
3. The IS series devices are not process sealed.
4. If the LCD is accidentally broken, avoid contact with the liquid and wash off any liquid spills to the skin or clothing.
5. Clean cap surface with dry cloth. If further cleaning is needed, wipe with dampened cloth using neutral cleanser and dry with clean cloth. Do not use organic solvent.
6. Recommended soldering time and temperature limits:  
Do not exceed 60°C at the LCD level.  
Wave Soldering: see Profile B in Supplement section.  
Manual Soldering for Switch: see Profile A in Supplement section.  
Manual Soldering for Display: see Profile B in Supplement section.
7. Excessive images may result after the same image is emitted continuously for an extended period of time.
8. The highest backlight brightness level should not be used for temperatures above +35°C.

**Storage**

1. Store in original container and away from direct sunlight.
2. Keep away from static electricity.
3. Avoid extreme temperatures, high humidity, gaseous substances, and all forms of chemical contamination.





### OPTIONAL ACCESSORIES

#### AT9704-085K Socket for LCD 64 x 32 Pushbutton

Materials:

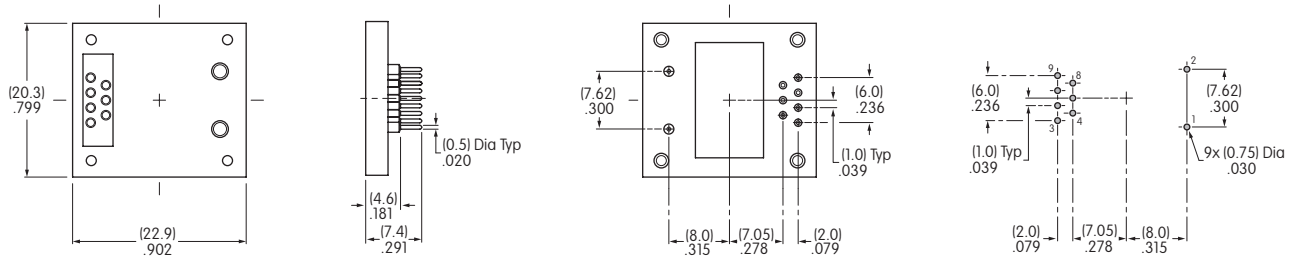
Base - Glass Fiber Reinforced PBT  
 Terminals - Brass/Beryllium Copper

Compatible Part Number for AT9704-085K

Wide View LCD 64 x 32

IS15EBFP4RGB

- The socket permits the SmartSwitch to be plugged in after automated processing.
- Use of the socket enables easy field replacement of the device.



#### AT9704-085L Socket for OLED Pushbutton

Materials:

Base - Glass Fiber Reinforced PBT  
 Terminals - Brass/Beryllium Copper

Compatible Part Numbers for AT9704-085L

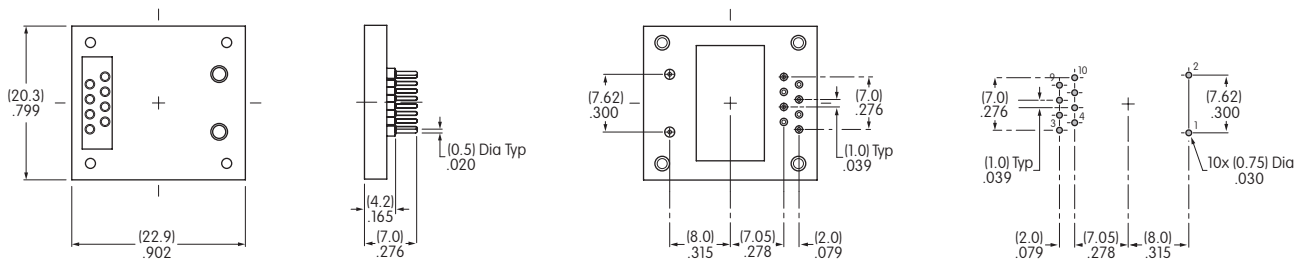
OLED Pushbutton

Frameless OLED

ISC15ANP4

ISF15ACP4

- The socket permits the OLED SmartSwitch to be plugged in after automated processing.
- Use of the socket enables easy field replacement of the device.



#### AT9704-085M Socket for OLED Display

Materials:

Base - Glass Fiber Reinforced PBT  
 Terminals - Brass/Beryllium Copper

Compatible Part Number for AT9704-085M

OLED Display

ISC01P

- The socket permits the OLED SmartDisplay to be plugged in after automated processing.
- Use of the socket enables easy field replacement of the device.

