



Chipsmall Limited consists of a professional team with an average of over 10 year of expertise in the distribution of electronic components. Based in Hongkong, we have already established firm and mutual-benefit business relationships with customers from,Europe,America and south Asia,supplying obsolete and hard-to-find components to meet their specific needs.

With the principle of “Quality Parts,Customers Priority,Honest Operation,and Considerate Service”,our business mainly focus on the distribution of electronic components. Line cards we deal with include Microchip,ALPS,ROHM,Xilinx,Pulse,ON,Everlight and Freescale. Main products comprise IC,Modules,Potentiometer,IC Socket,Relay,Connector.Our parts cover such applications as commercial,industrial, and automotives areas.

We are looking forward to setting up business relationship with you and hope to provide you with the best service and solution. Let us make a better world for our industry!



## Contact us

Tel: +86-755-8981 8866 Fax: +86-755-8427 6832

Email & Skype: info@chipsmall.com Web: www.chipsmall.com

Address: A1208, Overseas Decoration Building, #122 Zhenhua RD., Futian, Shenzhen, China



## IS31AP4066D CLASS-AB AUDIO AMPLIFIER

### DESCRIPTION

The IS31AP4066D demo board is a fully assembled and tested PCB that uses the IS31AP4066D Class-AB dual bridge-connected audio power amplifier. Designed to drive speaker impedance of 8Ω or larger. The demo board provides dual BTL output, capable of delivering 1.6W into an 8Ω speaker at 5V.

### FEATURES

- Supply voltage range from 2.7V to 5.5V
- Delivers 1.6W into an 8Ω speaker at 5V supply (THD+N=10%)
- Delivers 1.3W into an 8Ω speaker at 5V supply (THD+N=1%)
- Available in QFN-16 (3mm × 3mm) package

### QUICK START



Figure 1: Photo of IS31AP4066D Evaluation Board

### RECOMMENDED EQUIPMENT

- 5.0V, 2A power supply
- Audio source (i.e. MP3 player, Notebook PC, etc.)
- 8Ω or larger speaker

### ABSOLUTE MAXIMUM RATINGS

- ≤ 5.5V power supply
- ≥8Ω speaker

**Caution: Do not exceed the conditions listed above; otherwise the board will be damaged.**

### PROCEDURE

The IS31AP4066D demo board is fully assembled and tested. Follow the steps listed below to verify board operation.

**Caution: Do not turn on the power supply until all connections are completed.**

- 1) Connect 8Ω (or larger) speakers across the (OUTA+, OUTA-) terminal and (OUTB+, OUTB-) terminal. Or connect speakers to the connector (OUTA, OUTB).
- 2) Connect the ground terminal of the power supply to the GND and the positive terminal to the VCC. Or connect DC power to connector (DC CON).
- 3) Connect the audio sources to the INA terminal (left channel) and INB terminal (right channel); or connect audio sources to the connector (AUDIO IN).
- 4) Turn on the power supply.
- 5) Turn on the audio sources.

### ORDERING INFORMATION

Part No.	Temperature Range	Package
IS31AP4066D-QFLS2-EB	-40°C to +85°C (Industrial)	QFN-16, Lead-free

Table 1: Ordering Information

For pricing, delivery, and ordering information, please contact ISSI's analog marketing team at [analog@issi.com](mailto:analog@issi.com) or (408) 969-6600.

# IS31AP4066D CLASS-AB AUDIO AMPLIFIER

## DETAILED DESCRIPTION

The IS31AP4066D demo board features the IS31AP4066D Class-AB power amplifier IC, designed to drive speaker impedance of 8Ω or larger.

## CUSTOMIZING THE GAIN

The IS31AP4066D demo board is shipped with a gain of 18.3dB and is set by resistors  $R_I$  ( $R_1$ ,  $R_2$ ) and  $R_F$  ( $R_3$ ,  $R_4$ ). Change resistors  $R_I$  and  $R_F$  to reconfigure the gain of the board. Gain determined in Equation (1) and refer to IS31AP4066D data sheet for more detail.

$$Gain = \frac{2 \times R_F}{R_I} \left( \frac{V}{V} \right) \quad (1)$$

## HIGH-PASS FILTER

The input capacitors  $C_1$  ( $C_5$ ,  $C_6$ ) and input resistors  $R_1$  ( $R_1$ ,  $R_2$ ) form a high-pass filter with the corner frequency,  $f_c$  determined in Equation (2).

$$f_c = \frac{1}{(2\pi R_I C_I)} \quad (2)$$

## SHUTDOWN MODE

Jumper (J1) controls the shutdown pin of the IS31AP4066D IC. Connect the shunt across pin 1 and 2 of the jumper (J1) to enter the shutdown mode of the board.

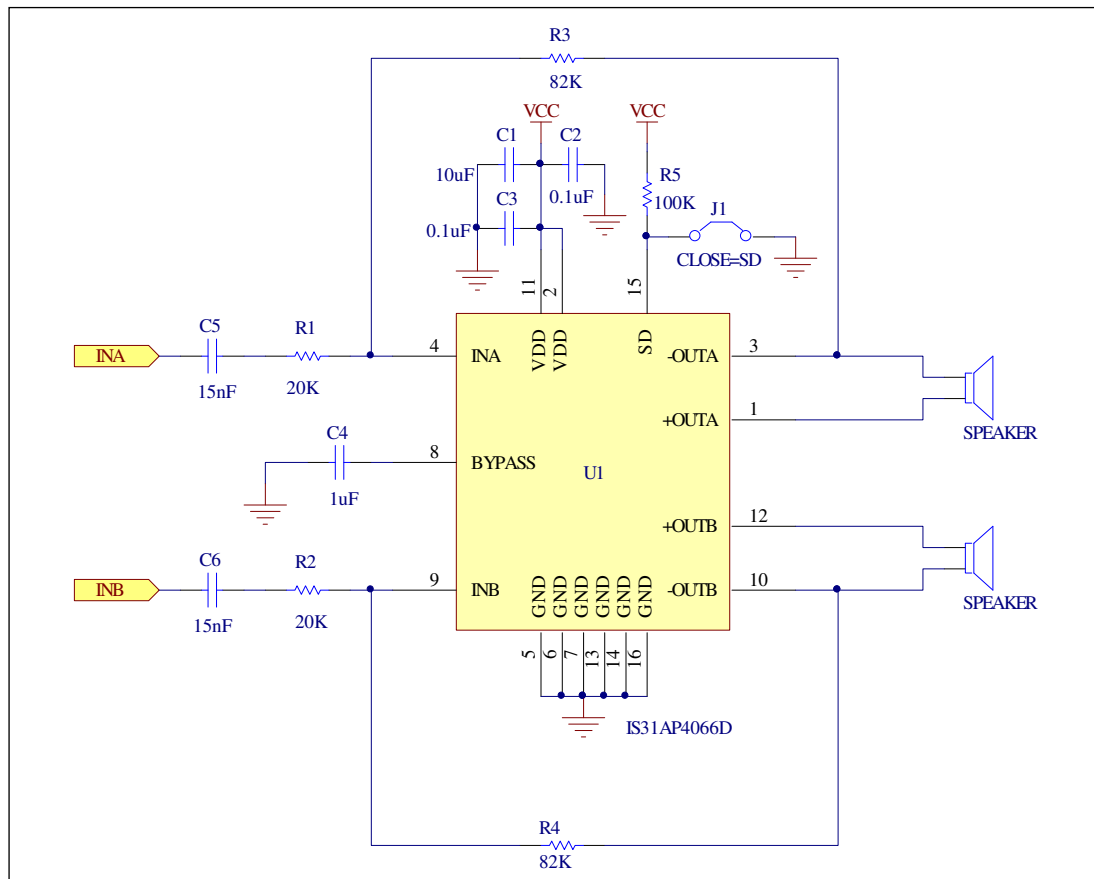


Figure 2: IS31AP4066D Application Circuit

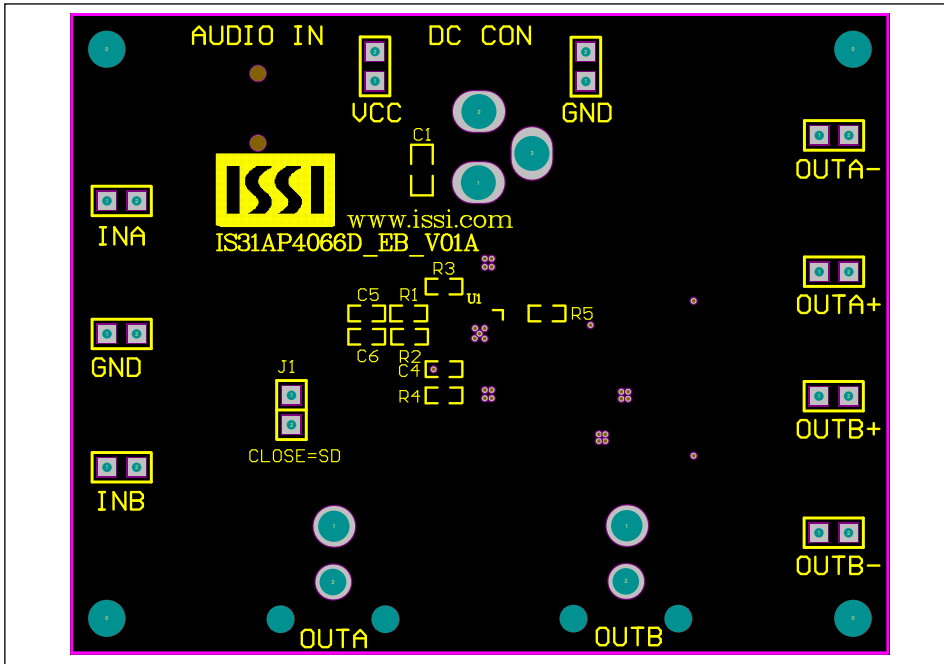


## IS31AP4066D CLASS-AB AUDIO AMPLIFIER

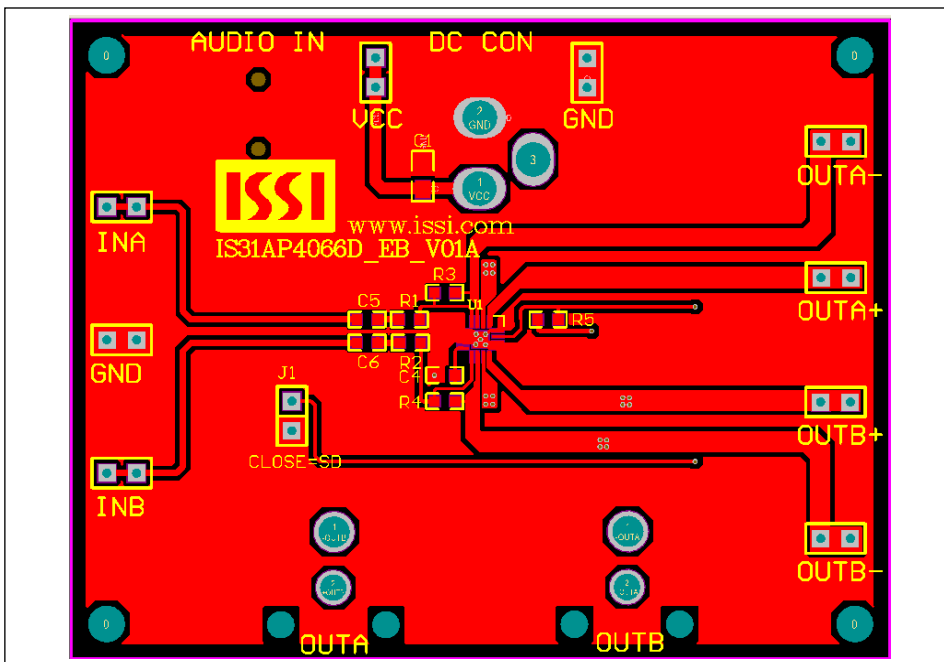
### BILL OF MATERIALS

Name	Symbol	Description	Qty	Supplier	Part No.
Amplifier	U1	Class- AB power amplifier	1	ISSI	IS31AP4066D
Resistor	R1,R2	RES,20k,1/16W,±1%,SMD	2	Yageo	RC0603JR-0720KL
Resistor	R3,R4	RES,82k,1/16W,±1%,SMD	2	Yageo	RC0603JR-0782KL
Resistor	R5	RES,100k,1/16W,±5%,SMD	1	Yageo	RC0603FR-07100KL
Capacitor	C1	CAP,10µF,10V,±20%,SMD	1	Yageo	CC0805KKX7R6BB106
Capacitor	C2 ,C3	CAP, 0.1µF,50V,±10%,SMD	2	Yageo	CC0603KKX7R9BB104
Capacitor	C4	CAP,1µF,50V,±10%,SMD	1	Yageo	CC0603KKX7R9BB105
Capacitor	C5,C6	CAP,15nF,50V,±10%,SMD	2	Yageo	CC0603KKX7R9BB153
Connector	DC IN	2.5 mm DC connector	1		
Connector	OUTA,OUTB	RCA –type connector	2		
Connector	AUDIO IN	3.5mm min connector	1		

*Bill of materials, refers to Figure 2 above.*



*Figure 3: Board Component Placement Guide - Top Layer*



*Figure 4: Board PCB Layout - Top Layer*

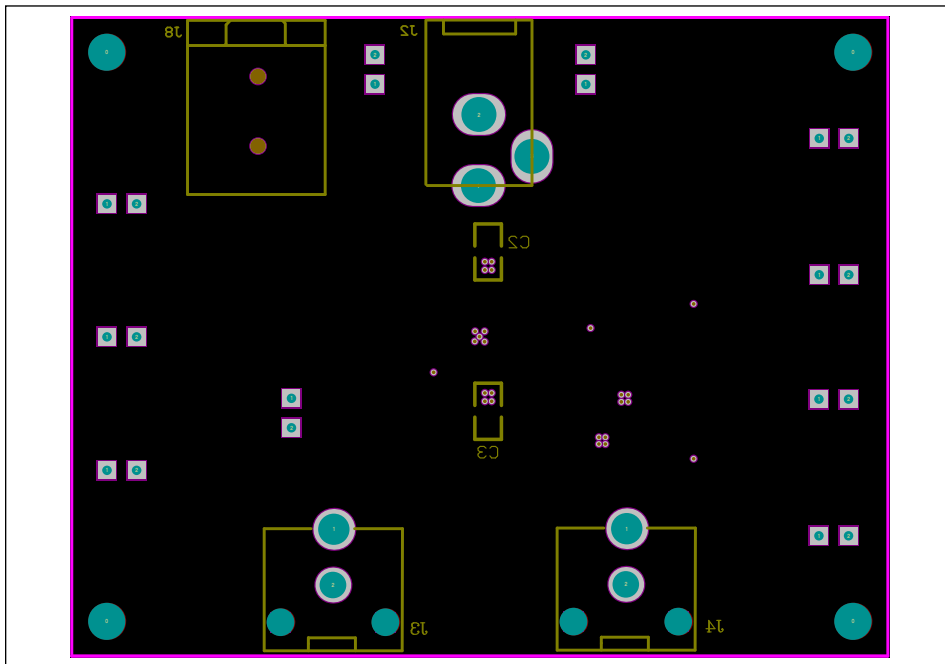


Figure 5: Board Component Placement Guide - Bottom Layer

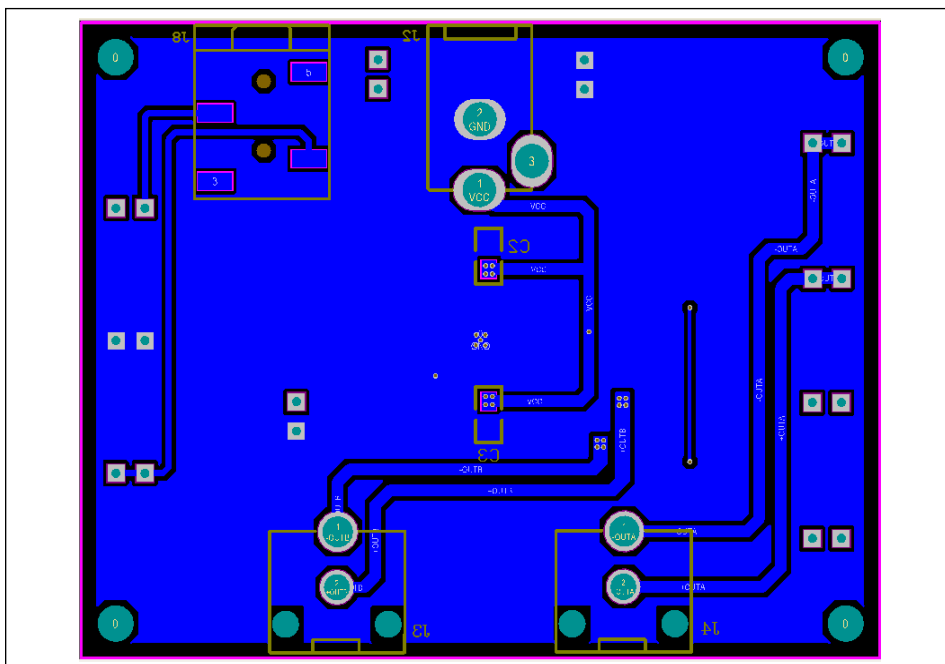


Figure 6: Board PCB Layout - Bottom Layer

Copyright © 2015 Integrated Silicon Solution, Inc. All rights reserved. ISSI reserves the right to make changes to this specification and its products at any time without notice. ISSI assumes no liability arising out of the application or use of any information, products or services described herein. Customers are advised to obtain the latest version of this device specification before relying on any published information and before placing orders for products. Integrated Silicon Solution, Inc. does not recommend the use of any of its products in life support applications where the failure or malfunction of the product can reasonably be expected to cause failure of the life support system or to significantly affect its safety or effectiveness. Products are not authorized for use in such applications unless Integrated Silicon Solution, Inc. receives written assurance to its satisfaction, that:

- a.) the risk of injury or damage has been minimized;
- b.) the user assume all such risks; and
- c.) potential liability of Integrated Silicon Solution, Inc is adequately protected under the circumstances