



Chipsmall Limited consists of a professional team with an average of over 10 year of expertise in the distribution of electronic components. Based in Hongkong, we have already established firm and mutual-benefit business relationships with customers from,Europe,America and south Asia,supplying obsolete and hard-to-find components to meet their specific needs.

With the principle of “Quality Parts,Customers Priority,Honest Operation,and Considerate Service”,our business mainly focus on the distribution of electronic components. Line cards we deal with include Microchip,ALPS,ROHM,Xilinx,Pulse,ON,Everlight and Freescale. Main products comprise IC,Modules,Potentiometer,IC Socket,Relay,Connector.Our parts cover such applications as commercial,industrial, and automotives areas.

We are looking forward to setting up business relationship with you and hope to provide you with the best service and solution. Let us make a better world for our industry!



Contact us

Tel: +86-755-8981 8866 Fax: +86-755-8427 6832

Email & Skype: info@chipsmall.com Web: www.chipsmall.com

Address: A1208, Overseas Decoration Building, #122 Zhenhua RD., Futian, Shenzhen, China



IS31LT3135

MAIN/SUB DUAL-CHANNEL LED DRIVER

November 2011

GENERAL DESCRIPTION

IS31LT3135 is a main/sub dual-channel LED driver. When the main channel works, it is a constant current source driving the main LED and the current is set by an external resistor connected to the I_{SET} pin. It needs only 0.1V dropout voltage for 200mA output current. When the sub-channel works, the chip will pull down the sub LED's cathode to ground.

Normally there is only one channel on, the main channel and the sub channel can switch between each other. Sweeping power supply from high voltage to low voltage, main channel switches to sub-channel while UV pin is below the undervoltage threshold 1.17V (IS31LT3135-V1 typical) or 1.23V (IS31LT3135-V2 typical). Sweeping power supply from low voltage to high voltage, the sub-channel switches to the main channel while UV pin is 80mV (typical) higher than the undervoltage threshold. Additionally, the main channel has short protection function, when the main LED is shorted, the chip will switch to sub-channel automatically.

FEATURES

- Power supply undervoltage detect
- Main channel short protection
- Over-temperature protection
- Input voltage range: 2.7V~5.5V
- Main and sub-channel current set by external resistor
- Main channel V_{dp}=0.1V
- Low quiescent current
- Assembled in SOP-8 package

APPLICATIONS

- Miner lamp
- Other LED lighting

TYPICAL APPLICATION CIRCUIT

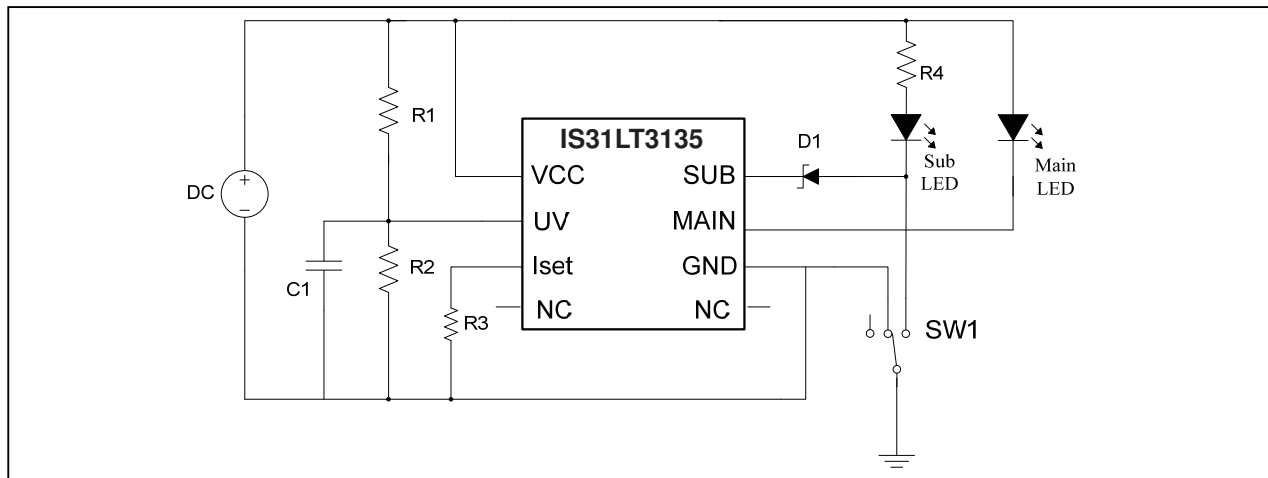


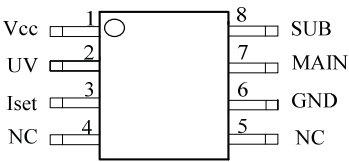
Figure 1

Copyright © 2011 Integrated Silicon Solution, Inc. All rights reserved. ISSI reserves the right to make changes to this specification and its products at any time without notice. ISSI assumes no liability arising out of the application or use of any information, products or services described herein. Customers are advised to obtain the latest version of this device specification before relying on any published information and before placing orders for products. Integrated Silicon Solution, Inc. does not recommend the use of any of its products in life support applications where the failure or malfunction of the product can reasonably be expected to cause failure of the life support system or to significantly affect its safety or effectiveness. Products are not authorized for use in such applications unless Integrated Silicon Solution, Inc. receives written assurance to its satisfaction, that:

- a.) the risk of injury or damage has been minimized;
- b.) the user assume all such risks; and
- c.) potential liability of Integrated Silicon Solution, Inc is adequately protected under the circumstances

IS31LT3135

PIN CONFIGURATIONS

Package	Pin Configurations (Top View)
SOP-8	

PIN DESCRIPTION

Name	No.	Description
V _{CC}	1	Power supply input
UV	2	The pin detects under-voltage. Decouple to ground with 0.1uF capacitor close to device
I _{SET}	3	The pin sets the main LED current with external resistor
GND	6	The pin connects to ground.
MAIN	7	Connect to the cathode of main LED
SUB	8	Connect to the cathode of sub LED
NC	4, 5	Not connected

ORDERING INFORMATION

Industrial Range: -40°C to +85°C

Order Part No.	Package	QTY/Reel	V _{UV}
IS31LT3135-V1GRSL2-TR	SOP-8, Lead-free	2500	1.13V~1.21V
IS31LT3135-V1GRSL2-TR	SOP-8, Lead-free	2500	1.19V~1.26V

IS31LT3135

ABSOLUTE MAXIMUM RATINGS

Supply voltage, V_{CC}	-0.3V ~ +6.5V
UV, Iset, Sub, Main	-0.3V to 6.5V
Junction temperature, T_{JMAX}	+150°C
Storage temperature range, T_{stg}	-65°C ~ +150°C
ESD(human body mode)	4kV
I_{MAIN}	500mA
I_{SUB}	300mA
T_A (Ambient temperature)	-40°C ~ +85°C

Note:

- Stresses beyond those listed under "Absolute Maximum Ratings" may cause permanent damage to the device. These are stress ratings only and functional operation of the device at these or any other condition beyond those indicated in the operational sections of the specifications is not implied. Exposure to absolute maximum rating conditions for extended periods may affect device reliability.

ELECTRICAL CHARACTERISTICS

(Test conditions: $V_{CC}=3.6V, T_{amb}=25^{\circ}C$ unless otherwise stated)

Symbol	Parameter	Condition	Min	Typical	Max	Unit	
V_{CC}	Input voltage		2.7		5.5	V	
I_{CC}	Quiescent current	$V_{CC}=2.7V\sim 5.5V$, no load, $5.5V > V_{UV} > 1.4V$		250	320	μA	
I_{ratio}	Ratio of I_{MAIN} to I_{SET}	$V_{CC}=4.2V, R_{set}=30K$		8000			
V_{ISET}	Voltage of I_{SET} pin			1.2		V	
$I_{accuracy}$	Current accuracy of main LED	$V_{CC} = 2.7V \sim 5.5V, V_{main}=0.5V$		± 5		%	
V_{dp}	Main channel current source dropout voltage	$R_{set}=47K, I_{out}=204mA$			0.2	V	
R_{sub}	Sub-channel "ON" resistance	$V_{CC}=2.7V\sim 5.5V$			2.0	ohm	
V_{UV}	Undervoltage threshold of UV pin	Switch from main-LED to sub-LED when VUV sweeps from high voltage to low voltage	IS31LT3135-V1	1.13	1.17	121	V
			IS31LT3135-V2	1.19	1.23	1.26	
V_{UVHYS}	Comparator hysteresis of UV pin(Upper threshold - Undervoltage threshold)	Switch from sub-LED to main-LED when VUV sweeps from low voltage to high voltage(Upper threshold); Switch from main-LED to sub-LED when VUV sweeps from high voltage to low voltage(Undervoltage threshold)		80		mV	
T_{SD}	Thermal protection Threshold			160		$^{\circ}C$	
$R_{\theta JA}$	Junction to ambient	SOP-8		80		$^{\circ}C/W$	

TYPICAL OPERATING CONDITION

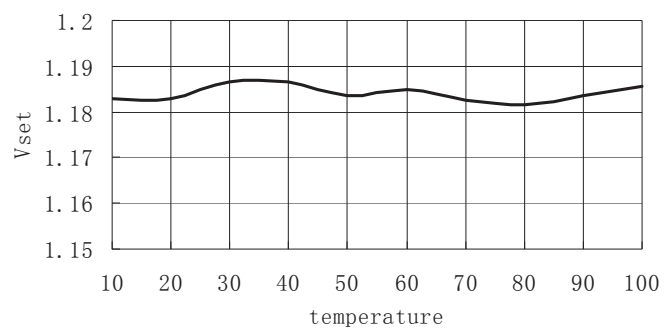


Figure 2 Iset pin voltage change with temperature

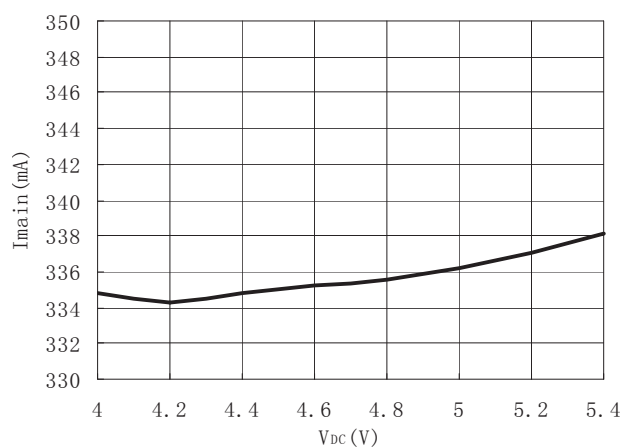


Figure 3 Main LED current change with power supply

IS31LT3135

APPLICATION NOTES

MAIN LED CURRENT SET

Current of the main LED is set by resistor connected to Iset pin. Voltage of Iset pin is 1.2V. It is constant even if the environment temperature and power supply voltage changes. (Refer to figure2, figure3). The current of main channel is 8000 times to the current of Iset pin. It is obtained by:

$$I_{\text{main}} = 8000 * \frac{V_{\text{set}}}{R_{\text{set}}}$$

Main LED current flows through the MAIN pin to ground. There is only 0.1V voltage dropout when the main channel current is 200mA (Note 1).

SUB LED CURRENT SET

Sub-LED current flows through SUB to ground. This current can be set by the resistor of SUB pin and is given by:

$$I_{\text{sub}} = \frac{V_{\text{CC}} - V_{\text{F2}} - V_{\text{d2}}}{R_{\text{SUB}}}$$

V_{CC} is power supply voltage, V_{F2} is the sub-LED voltage. V_{d2} is the diode voltage (Refer to Figure 1), its value should be as small as possible.

UNDERVOLTAGE THRESHOLD SET

UV pin has undervoltage detect function and the undervoltage threshold gets a 0.8V hysteresis to avoid error operation caused by power supply ripple. Sweeping power supply from high voltage to low voltage, the main channel switches to sub-channel while UV pin is below undervoltage threshold, 1.17V (IS31LT3135-V1 typical) or 1.23V (IS31LT3135-V2 typical). Sweeping power supply from low voltage to high voltage, the sub-channel switches to the main channel while UV pin is 80mV (typical) higher than the undervoltage threshold. U_{uv} is set by the ratio of resistor of R1 and R2 (Refer to Figure1).

When $\frac{R_2}{R_1 + R_2} V_{\text{CC}} = 1.17\text{V}$ or 1.23V , chip switches from the main channel to the sub-channel.

Typically, Li battery voltage maintains at 3.7V during discharge. Therefore, it is recommended to set the undervoltage threshold at 3.4V.

Typically, R1 and R2 are set to 10K Ohm magnitude (e.g. 51K Ohm), the current flows through R1 and R2 is large if the value of R1 and R2 are small, which will reduce system efficiency. We can specify the value of R2, and then calculate the value of R1 based on the ratio.

MAIN LED SHORT PROTECTION

When the main LED is short circuit, chip will switch to sub-channel automatically.

OVER-TEMPERATURE PROTECTION

When the chip temperature reaches 160°C, the chip turns off automatically. When temperature drops back to 140°C, the chip turns on again.

PCB LAYOUT REFERENCE

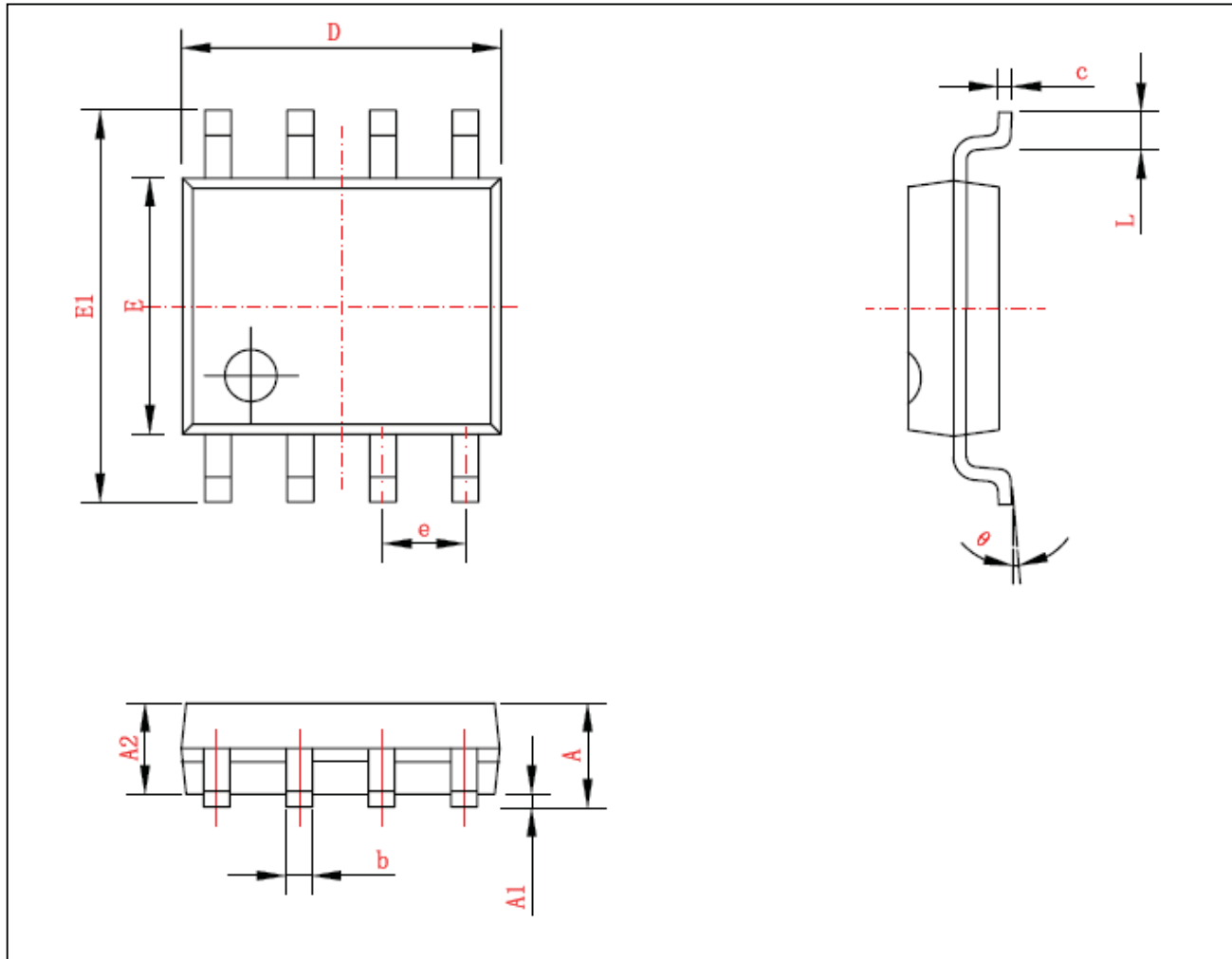
The switch should be placed at the low voltage point (Refer to Figure 1) to avoid an instant spark while switching. The traces between GND pin and Iset pin to real ground should be as short as possible and as wide as possible to improve the main LED current accuracy and undervoltage threshold accuracy. Adding a 0.1uF capacitor connected to UV pin can reduce the noise pick-up at this pin.

Note 1: When power supply voltage is larger than LED voltage, the extra voltage would be added on the Main pin, which will reduce the efficiency of the whole system.

IS31LT3135

PACKAGE INFORMATION

SOP-8



Symbol	Dimensions In Millimeters		Dimensions In Inches	
	Min	Max	Min	Max
A	1.350	1.750	0.053	0.069
A1	0.100	0.250	0.004	0.010
A2	1.450TYP		0.057TYP	
b	0.350	0.490	0.014	0.019
c	0.178	0.250	0.007	0.010
D	4.800	5.000	0.189	0.197
E	3.800	4.000	0.150	0.157
E1	5.800	6.240	0.228	0.246
e	1.270TYP		0.050TYP	
L	0.400	1.270	0.016	0.050
θ	0°	8°		