



Chipsmall Limited consists of a professional team with an average of over 10 year of expertise in the distribution of electronic components. Based in Hongkong, we have already established firm and mutual-benefit business relationships with customers from,Europe,America and south Asia,supplying obsolete and hard-to-find components to meet their specific needs.

With the principle of “Quality Parts,Customers Priority,Honest Operation,and Considerate Service”,our business mainly focus on the distribution of electronic components. Line cards we deal with include Microchip,ALPS,ROHM,Xilinx,Pulse,ON,Everlight and Freescale. Main products comprise IC,Modules,Potentiometer,IC Socket,Relay,Connector.Our parts cover such applications as commercial,industrial, and automotives areas.

We are looking forward to setting up business relationship with you and hope to provide you with the best service and solution. Let us make a better world for our industry!



## Contact us

Tel: +86-755-8981 8866 Fax: +86-755-8427 6832

Email & Skype: info@chipsmall.com Web: www.chipsmall.com

Address: A1208, Overseas Decoration Building, #122 Zhenhua RD., Futian, Shenzhen, China



# IS31LT3353

## 40V/1A BUCK LED DRIVER WITH INTERNAL SWITCH

May 2015

### GENERAL DESCRIPTION

The IS31LT3353 is a continuous mode inductive step-down converter, designed for driving a single LED or multiple series connected LEDs efficiently from a voltage source higher than the LED voltage. The chip operates from an input supply between 6V and 40V and provides an externally adjustable output current of up to 1A.

The IS31LT3353 includes an integrated output switch and a high-side output current sensing circuit, which uses an external resistor to set the nominal average output current.

The output current can be dynamically adjusted by adding either a digital PWM or analog voltage level signal to the ADJ pin. A PWM signal will provide a gated output current while a voltage signal will generate a continuously linear output current.

Applying a voltage less than 0.2V to the ADJ pin turns the output off and switches the chip into a low current standby state.

The chip is assembled in SOT23-5 and SOT89-5 packages. It operates from 6V to 40V over the temperature range of -40°C to +125°C.

### FEATURES

- Up to 1A output current
- High efficiency (up to 97% )
- Wide input voltage range: 6V to 40V
- Internal 40V power switch
- Simple low parts count
- Typical 3% output current accuracy
- Single pin on/off and brightness control using DC voltage or PWM
- Up to 1MHz switching frequency
- Inherent LED open-circuit/short-circuit protection
- Thermal shutdown protection circuitry
- Up to 1200: 1 dimming rate

### APPLICATIONS

- LED MR16, MR11 spot light
- LED street light
- PAR light
- Industrial lighting
- Refrigeration lights
- Other LED lighting

### APPLICATION CIRCUIT

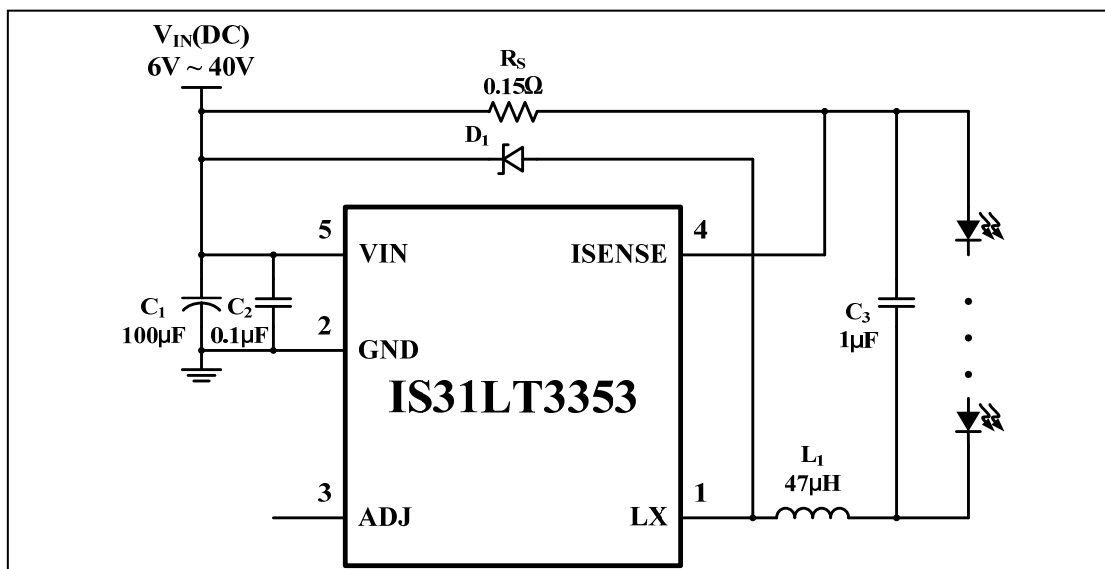
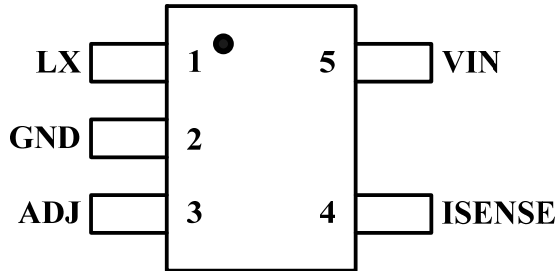
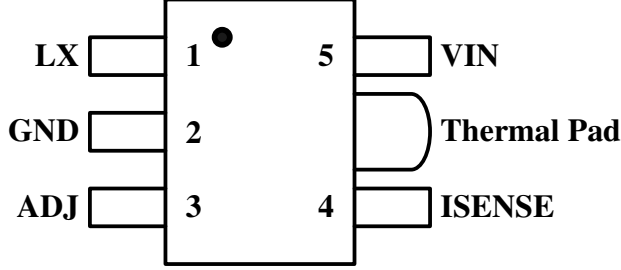


Figure 1 Typical Application Circuit

**Note:** The capacitor,  $C_2$ , can't be removed. And it should be placed as close as possible to the VIN and GND pins, otherwise the operation might be abnormal.

# IS31LT3353

## PIN CONFIGURATION

| Package | Pin Configuration  |
|---------|--|
| SOT23-5 |  |
| SOT89-5 |  |

## PIN DESCRIPTION

| No.     |         | Pin         | Description  |
|---------|---------|-------------|--|
| SOT23-5 | SOT89-5 |             |  |
| 1       |         | LX          | Drain of power switch.   |
| 2       |         | GND         | Ground (0V).   |
| 3       |         | ADJ         | Multi-function On/Off and brightness control pin:<br>* Leave floating for normal operation. ( $V_{ADJ} = V_{REF} = 1.2V$ giving nominal average output current $I_{OUT\_NOM} = 0.1/R_S$ )<br>* Drive to voltage below 0.2V to turn off output current.<br>* Drive with DC voltage ( $0.3V < V_{ADJ} < 1.2V$ ) to adjust output current from 25% to 100% of $I_{OUT\_NOM}$ .<br>* Drive with PWM signal to adjust output current.<br>* When driving the ADJ pin above 1.2V, the current will be clamped to 100% brightness automatically. |
| 4       |         | ISENSE      | Connect resistor $R_S$ from this pin to VIN to define nominal average output current $I_{OUT\_NOM} = 0.1/R_S$ .  |
| 5       |         | VIN         | Input voltage (6V ~ 40V). Decouple to ground with 0.1 $\mu$ F X7R ceramic capacitor as close to device as possible.  |
| -       |         | Thermal Pad | Connect to GND.  |



# IS31LT3353

## ORDERING INFORMATION

**Industrial Range: -40°C to +125°C**

| Order Part No.      | Package            | QTY/Reel |
|---------------------|--------------------|----------|
| IS31LT3353-STLS4-TR | SOT23-5, Lead-free | 3000     |
| IS31LT3353-SDLS4-TR | SOT89-5, Lead-free | 2500     |

Copyright © 2015 Integrated Silicon Solution, Inc. All rights reserved. ISSI reserves the right to make changes to this specification and its products at any time without notice. ISSI assumes no liability arising out of the application or use of any information, products or services described herein. Customers are advised to obtain the latest version of this device specification before relying on any published information and before placing orders for products.

Integrated Silicon Solution, Inc. does not recommend the use of any of its products in life support applications where the failure or malfunction of the product can reasonably be expected to cause failure of the life support system or to significantly affect its safety or effectiveness. Products are not authorized for use in such applications unless Integrated Silicon Solution, Inc. receives written assurance to its satisfaction, that:

- a.) the risk of injury or damage has been minimized;
- b.) the user assume all such risks; and
- c.) potential liability of Integrated Silicon Solution, Inc is adequately protected under the circumstances



# IS31LT3353

## ABSOLUTE MAXIMUM RATINGS (Note 1)

|   |   |
|---|---|
| Input voltage, $V_{IN}$                           | -0.3V ~ +43V                                      |
| ISENSE voltage, $V_{SENSE}$                       | $V_{IN}-5V \sim V_{IN}+0.3V$ ( $V_{IN} \geq 5V$ ) |
|   | -0.3V ~ $V_{IN}+0.3V$ ( $V_{IN} < 5V$ )           |
| LX output voltage, $V_{LX}$                       | -0.3V ~ +43V                                      |
| Adjust pin input voltage, $V_{ADJ}$               | -0.3V ~ +6V                                       |
| Switch output current, $I_{LX}$                   | 1.2A  |
| Power dissipation, $P_{D(MAX)}$ (SOT23-5)(Note 2) | 0.46W   |
| Power dissipation, $P_{D(MAX)}$ (SOT89-5)         | 0.94W   |
| Operating temperature, $T_A$                      | -40°C ~ +125°C                                    |
| Storage temperature, $T_{ST}$                     | -55°C ~ +150°C                                    |
| Junction temperature, $T_{JMAX}$                  | 150°C   |
| Junction to ambient, $\theta_{JA}$ (SOT23-5)      | 271°C/W   |
| Junction to ambient, $\theta_{JA}$ (SOT89-5)      | 132.6°C/W   |
| ESD (HBM) at LX pin                               | 1kV   |
| ESD (HBM) at other pins                           | 3kV   |
| ESD (CDM)   | 1kV   |

### Note 1:

Stresses beyond those listed under "Absolute Maximum Ratings" may cause permanent damage to the device. These are stress ratings only and functional operation of the device at these or any other condition beyond those indicated in the operational sections of the specifications is not implied. Exposure to absolute maximum rating conditions for extended periods may affect device reliability.

### Note 2:

Detail information please refer to package thermal de-rating curve on Page 12.

## ELECTRICAL CHARACTERISTICS

Test conditions:  $V_{IN} = 12V$ ,  $T_A = T_J = 25^\circ C$ , unless otherwise stated. (Note 3)

| Symbol         | Parameter  | Conditions                            | Min. | Typ.     | Max. | Unit       |
|----------------|--|---------------------------------------|------|----------|------|------------|
| $V_{IN}$       | Input voltage  |                                       | 6    |          | 40   | V          |
| $I_{INQ\_OFF}$ | Quiescent supply current with output off   | ADJ pin grounded                      | 70   | 120      | 160  | $\mu A$    |
| $I_{INQ\_ON}$  | Quiescent supply current with output switching                                       | ADJ pin floating                      |      | 450      | 600  | $\mu A$    |
| $V_{SENSE}$    | Mean current sense threshold voltage   |                                       | 97   | 100      | 103  | mV         |
| $V_{SENSEHYS}$ | Sense threshold hysteresis   |                                       |      | $\pm 15$ |      | %          |
| $I_{SENSE}$    | $I_{SENSE}$ pin input current  | $V_{SENSE} = V_{IN} - 0.1V$           |      | 8        |      | $\mu A$    |
| $V_{REF}$      | Internal reference voltage   | Measured on ADJ pin with pin floating |      | 1.2      |      | V          |
| $V_{ADJ}$      | External control voltage range on ADJ pin for dc brightness control                  |                                       | 0.3  |          | 1.2  | V          |
| $V_{ADJ\_OFF}$ | DC voltage on ADJ pin to switch chip from active (on) state to quiescent (off) state | $V_{ADJ}$ falling                     | 0.15 | 0.2      | 0.25 | V          |
| $V_{ADJ\_ON}$  | DC voltage on ADJ pin to switch chip from quiescent (off) state to active (on) state | $V_{ADJ}$ rising                      | 0.2  | 0.25     | 0.3  | V          |
| $R_{ADJ}$      | Resistance between ADJ pin and $V_{REF}$   |                                       |      | 500      |      | k $\Omega$ |
| $I_{LX\_MEAN}$ | Continuous LX switch current   | (Note 4)                              |      | 1        |      | A          |

# IS31LT3353

## ELECTRICAL CHARACTERISTICS (CONTINUED)

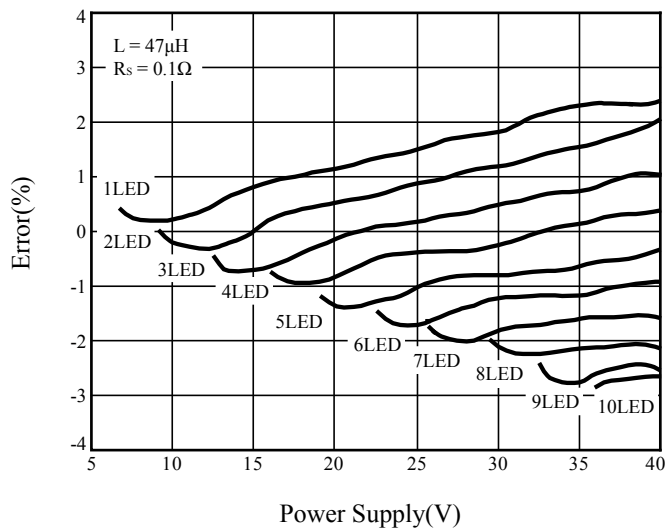
Test conditions:  $V_{IN} = 12V$ ,  $T_A = T_J = 25^\circ C$ , unless otherwise stated. (Note 3)

| Symbol         | Parameter  | Conditions   | Min. | Typ.   | Max. | Unit       |
|----------------|--|--|------|--------|------|------------|
| $I_{LX\_LEAK}$ | LX switch leakage current                                      |  |      |        | 1    | $\mu A$    |
| $R_{LX}$       | LX switch 'ON' resistance                                      |  |      | 0.5    | 1    | $\Omega$   |
| $t_{ON\_MIN}$  | Minimum switch 'ON' time                                       | LX switch 'ON' (Note 4)  |      | 200    |      | ns         |
| $t_{OFF\_MIN}$ | Minimum switch 'OFF' time                                      | LX switch 'OFF' (Note 4)   |      | 200    |      | ns         |
| $D_{DIM}$      | Typical contrast ratio   | $f_{PWM} = 100Hz$ , $V_{IN} = 15V$ ,<br>1LED, $L = 27\mu H$ (Note 4) |      | 1200:1 |      | 1          |
| $f_{LX\_MAX}$  | Recommended maximum operating frequency                        | (Note 4)   |      |        | 1    | MHz        |
| $D_{LX}$       | Recommended duty cycle range of output switch at $f_{LX\_MAX}$ | (Note 4)   | 30   | 70     | 90   | %          |
| $t_{PD}$       | Internal comparator propagation delay                          | (Note 4)   |      | 50     |      | ns         |
| $T_{SD}$       | Thermal shutdown temperature                                   | (Note 4)   |      | 150    |      | $^\circ C$ |
| $T_{SD\_HYS}$  | Thermal shutdown hysteresis                                    | (Note 4)   |      | 20     |      | $^\circ C$ |

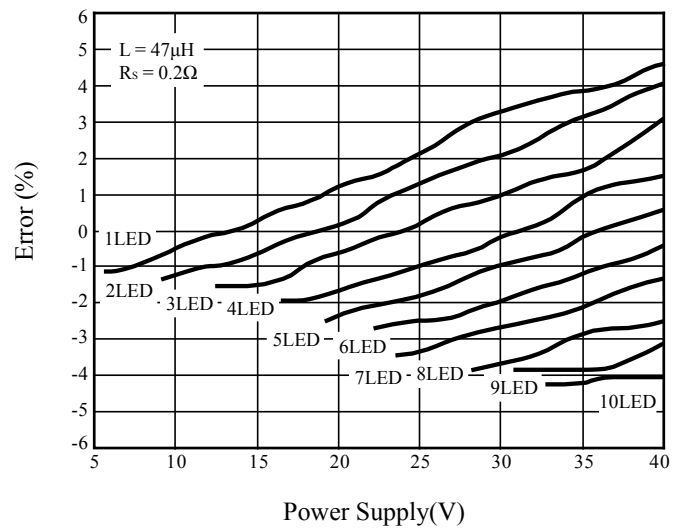
**Note 3:** Production testing of the device is performed at  $25^\circ C$ . Functional operation of the device and parameters specified over  $-40^\circ C$  to  $+125^\circ C$  temperature range, are guaranteed by design, characterization and process control.

**Note 4:** Guaranteed by design.

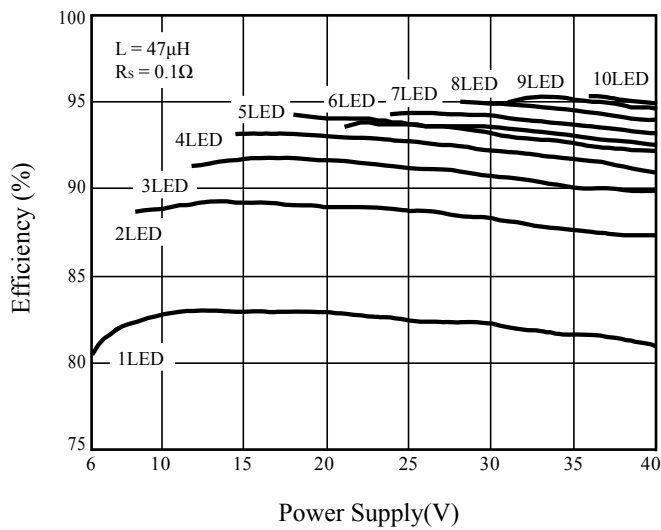
## TYPICAL PERFORMANCE CHARACTERISTICS



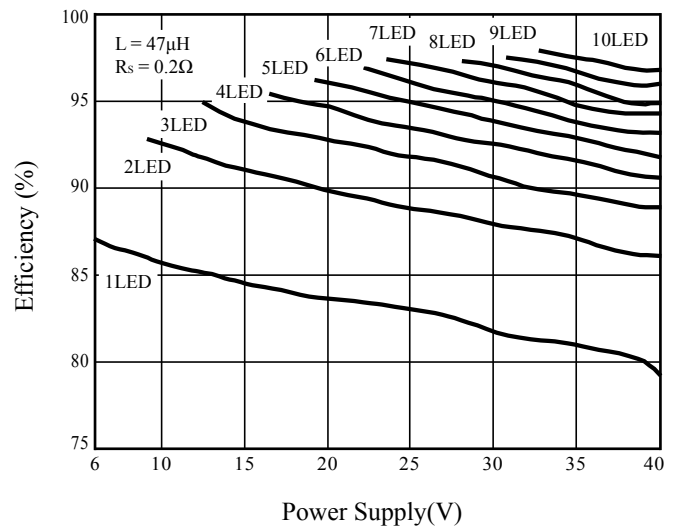
**Figure 2** Output Current Error vs. Power Supply



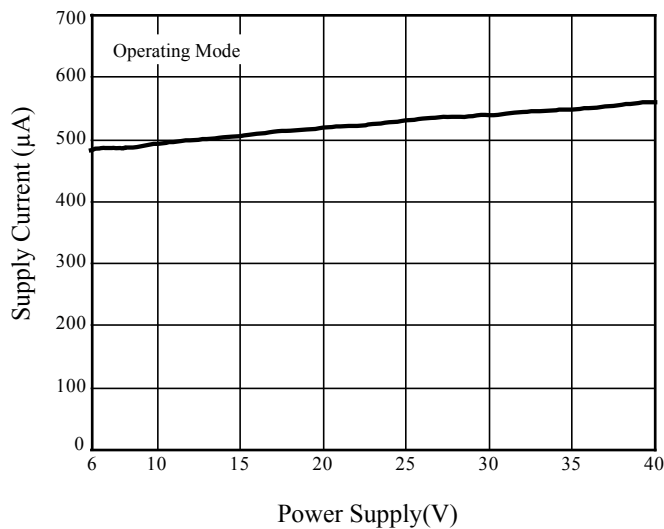
**Figure 3** Output Current Error vs. Power Supply



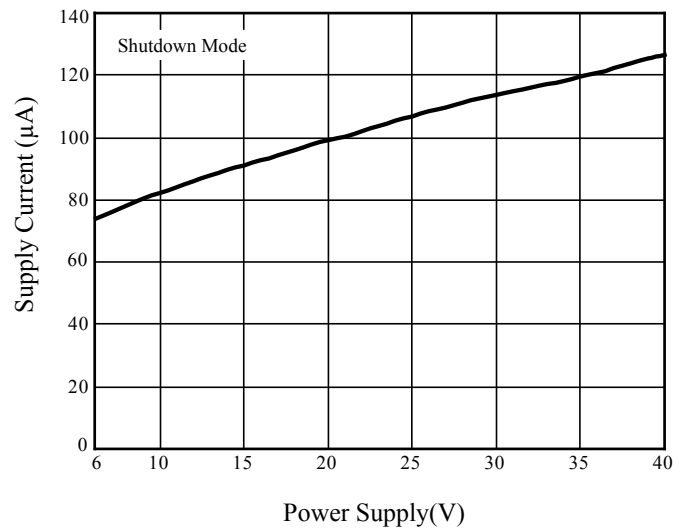
**Figure 4** Efficiency vs. Power Supply



**Figure 5** Efficiency vs. Power Supply

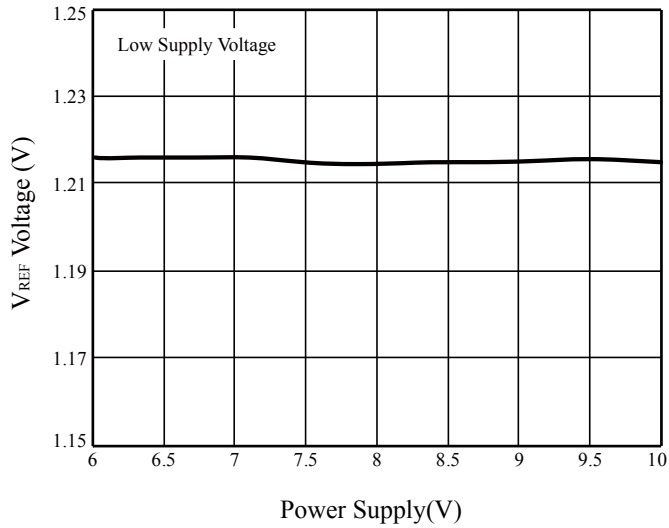


**Figure 6** Supply Current vs. Power Supply (Operating Mode)

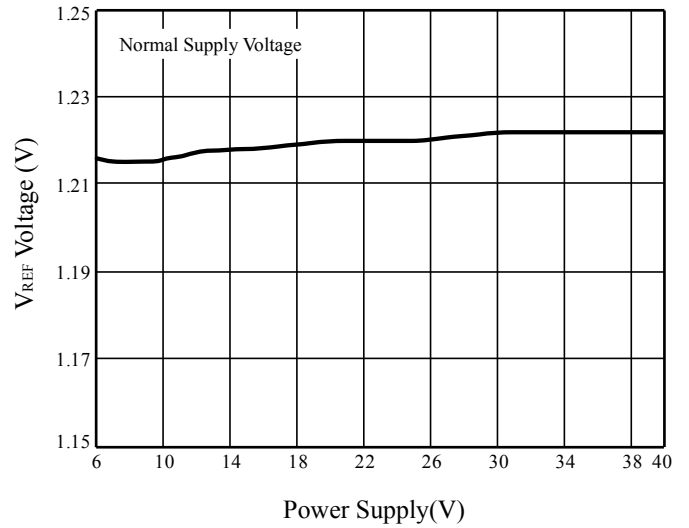


**Figure 7** Supply Current vs. Power Supply (Shutdown Mode)

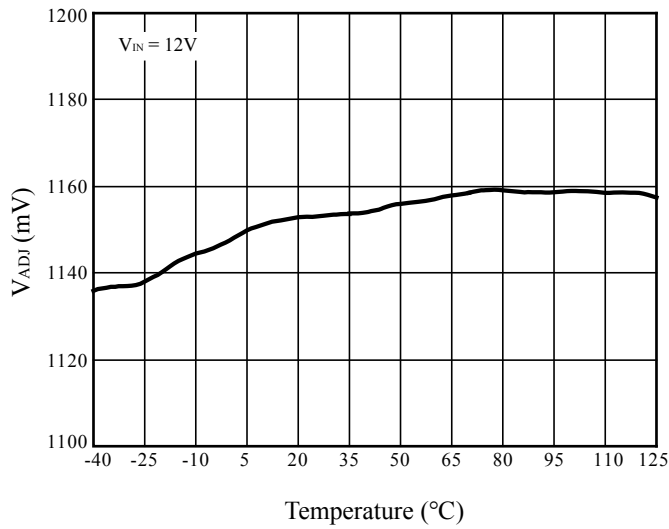
# IS31LT3353



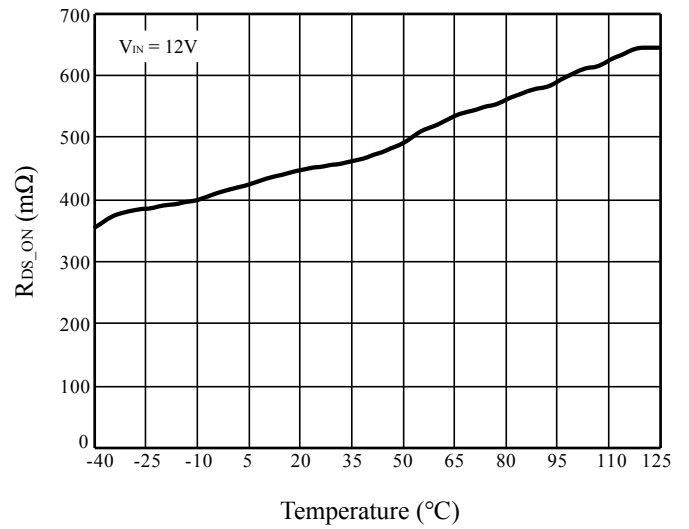
**Figure 8** V<sub>REF</sub> vs. Power Supply (Low Supply Voltage)



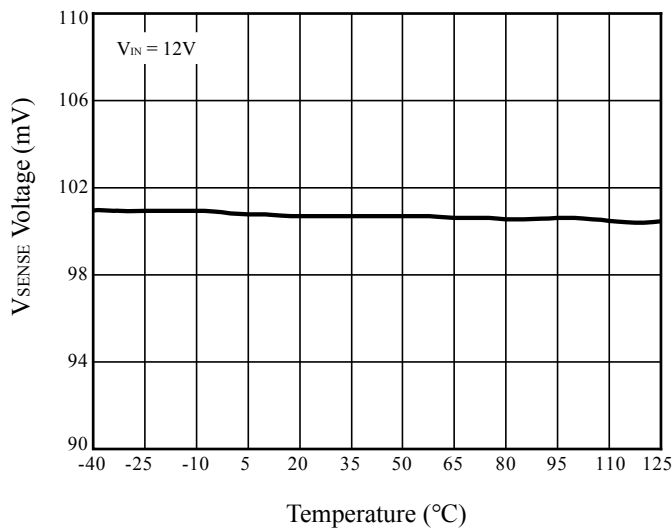
**Figure 9** V<sub>REF</sub> vs. Power Supply (Normal Supply Voltage)



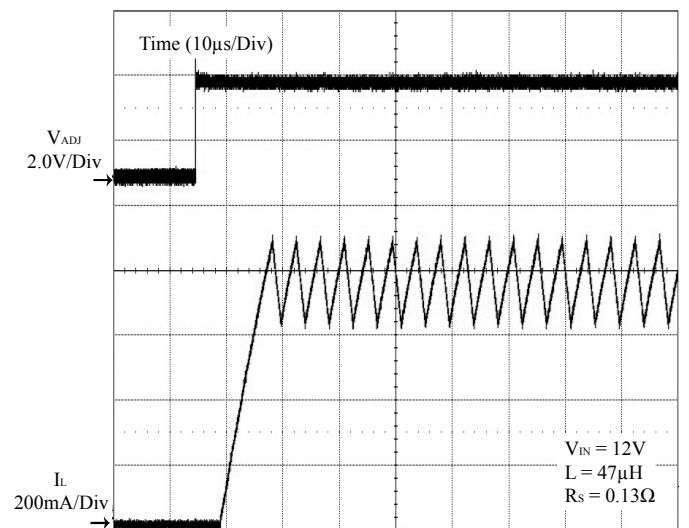
**Figure 10** V<sub>ADJ</sub> vs. Temperature



**Figure 11** R<sub>DS\_ON</sub> vs. Temperature



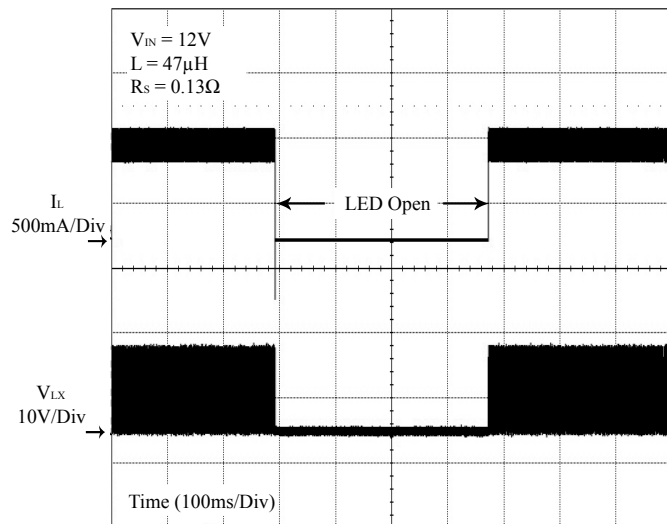
**Figure 12** V<sub>SENSE</sub> vs. Temperature



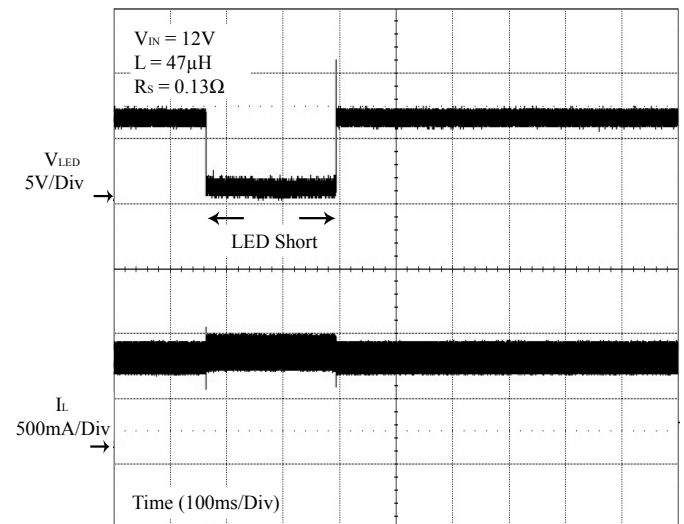
**Figure 13** ADJ Pin Voltage vs. I<sub>L</sub>



# IS31LT3353



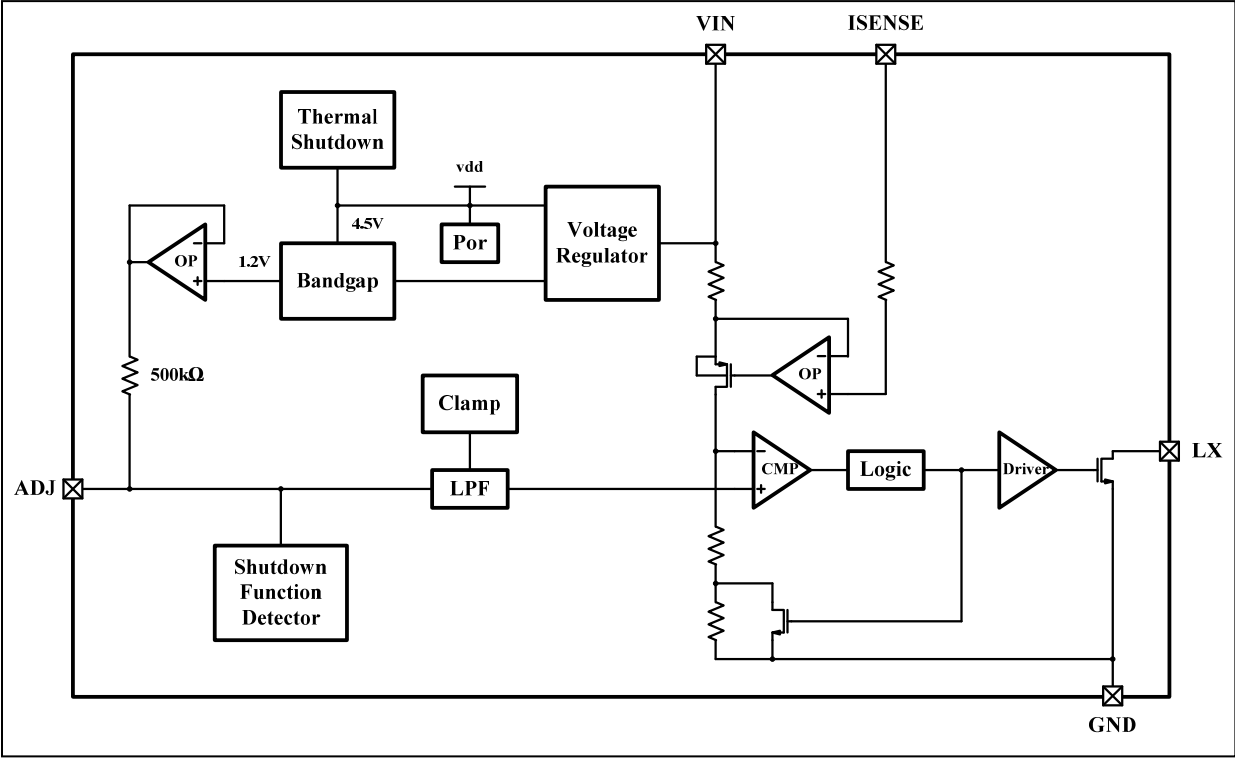
**Figure 14** LED Open-Circuit Protection



**Figure 15** LED Short-Circuit Protection

# IS31LT3353

## FUNCTIONAL BLOCK DIAGRAM



# IS31LT3353

## APPLICATION INFORMATION

### SETTING NOMINAL AVERAGE OUTPUT CURRENT WITH EXTERNAL RESISTOR $R_S$

The nominal average output current in the LED(s) is determined by the value of the external current sense resistor ( $R_S$ ) connected between VIN and ISENSE pins and in is given by Equation (1):

$$I_{OUT\_NOM} = \frac{0.1}{R_S} \quad (1)$$

Note that  $R_S=0.1\Omega$  is the minimum allowed value of sense resistor under these conditions to maintain switch current below the specified maximum value. It is possible to use different values of  $R_S$  if the ADJ pin is driven from an external voltage.

The table below gives values of nominal average output current for several preferred values of current setting resistor ( $R_S$ ) in the typical application circuit Figure 1:

| $R_S$ ( $\Omega$ ) | Nominal Average Output Current (mA) |
|--------------------|-------------------------------------|
| 0.1                | 1000                                |
| 0.15               | 667                                 |
| 0.3                | 333                                 |

The above values assume that the ADJ pin is floating and at a nominal voltage of  $V_{REF} = 1.2V$ .

$R_S$  need to be chosen 1% accuracy resistor with enough power tolerance and good temperature characteristic to ensure stable output current.

### OUTPUT CURRENT ADJUSTMENT BY EXTERNAL DC CONTROL VOLTAGE

The ADJ pin can be driven by an external DC voltage ( $V_{ADJ}$ ), as shown in Figure 16, to adjust the output current to a value above or below the nominal average value defined by  $R_S$ .

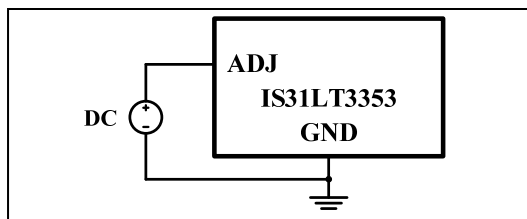


Figure 16 Dimming by External DC Voltage

The nominal average output current in this case is given by Equation (2):

$$I_{OUT\_DC} = \frac{0.083 \times V_{ADJ}}{R_S} \quad (2)$$

For  $0.3V < V_{ADJ} < 1.2V$ .

Note that 100% brightness setting corresponds to  $V_{ADJ} = V_{REF}$ . When driving the ADJ pin above 1.2V,

the current will be clamped to 100% brightness automatically.

The input impedance of the ADJ pin is 500k $\Omega$  (Typ.).

### OUTPUT CURRENT ADJUSTMENT BY PWM CONTROL

#### Directly Driving ADJ Input

A Pulse Width Modulated (PWM) signal with duty cycle  $D_{PWM}$  can be applied to the ADJ pin, as shown in Figure 17, to adjust the output current to a value below the nominal average value set by resistor  $R_S$ , the signal range is from 0V~5V. The logic "HIGH" is higher than 1.2V, the logic "LOW" is lower than 0.2V. The PWM signal must have the driving ability to drive internal 500k $\Omega$  pull-up resistor.

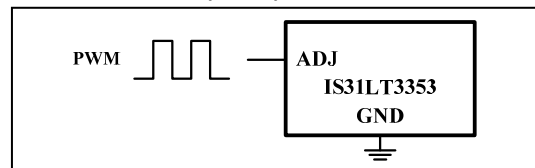


Figure 17 PWM Dimming Control Via ADJ Pin

#### Driving The ADJ Input From A Microcontroller

Another possibility is to drive the chip from the open drain output of a microcontroller. The Figure 18 below shows one method of doing this:

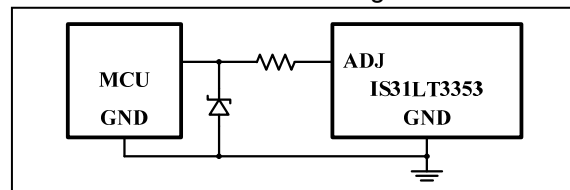


Figure 18 Dimming By MCU

The diode and resistor suppress possible high amplitude negative spikes on the ADJ input resulting from the drain-source capacitance of the FET. Negative spikes at the input to the chip should be avoided as they may cause errors in output current or erratic device operation.

### SHUTDOWN MODE

Taking the ADJ pin to a voltage below 0.2V will turn off the output and supply current will fall to a low standby level of 120 $\mu$ A nominal.

### INHERENT OPEN-CIRCUIT LED PROTECTION

If the connection to the LED(s) is open-circuited, the coil is isolated from the LX pin of the chip, so the chip will not be damaged, unlike in many boost converters, where the back EMF may damage the internal switch by forcing the drain above its breakdown voltage.

### CAPACITOR SELECTION

A low ESR capacitor should be used for input decoupling, as the ESR of this capacitor appears in

# IS31LT3353

series with the supply source impedance and lowers overall efficiency. This capacitor has to supply the relatively high peak current to the coil and smooth the current ripple on the input supply.

If the source is DC supply, the capacitor is decided by ripple of the source, the value is given by Equation (3):

$$C_{MIN} = \frac{I_F \times t_{ON}}{\Delta U_{MAX}} \quad (3)$$

$I_F$  is the value of output current,  $\Delta U_{MAX}$  is the ripple of power supply.  $t_{ON}$  is the "ON" time of MOSFET.

The value is higher than the minimum value. A 100 $\mu$ F capacitor is recommended.

If the source is an AC supply, typical output voltages ripple from a nominal 12V AC transformer can be  $\pm 10\%$ . If the input capacitor value is lower than 220 $\mu$ F, the AC input waveform is distorted, sometimes the lowest value will be lower than the forward voltage of LED strings. This lowers the average current of the LEDs. So it is recommended to set the value of the capacitor bigger than 220 $\mu$ F.

To minimize the ground bounce, it must connect a 0.1 $\mu$ F capacitor as close to device as possible. This capacitor can't be removed, otherwise the operation might be abnormal.

## INDUCTOR SELECTION

Recommended inductor values for the IS31LT3353 are in the range 47 $\mu$ H to 220 $\mu$ H.

Higher values of inductance are recommended at higher supply voltages and low output current in order to minimize errors due to switching delays, which result in increased ripple and lower efficiency. Higher values of inductance also result in a smaller change in output current over the supply voltage range. The inductor should be mounted as close to the chip as possible with low resistance connections to the LX and VIN pins.

The chosen coil should have a saturation current higher than the peak output current and a continuous current rating above the required mean output current. It is recommended to use inductor with saturation current bigger than 1.5A for 1A output current and inductor with saturation current bigger than 500mA for 350mA output current.

The inductor value should be chosen to maintain operating duty cycle and switch 'on/off' times within the specified limits over the supply voltage and load current range.

The following equations can be used as a guide.

LX Switch 'ON' time:

$$t_{ON} = \frac{L \times \Delta I}{V_{IN} - V_{LED} - I_{AVG} (R_S + R_L + R_{LX})} \quad (4)$$

Note:  $t_{ON\_MIN} > 200ns$ .

LX Switch 'OFF' time:

$$t_{OFF} = \frac{L \times \Delta I}{V_{LED} + V_D + I_{AVG} (R_L + R_S)} \quad (5)$$

Note:  $t_{OFF\_MIN} > 200ns$ .

Where:

L is the coil inductance (H)

$R_L$  is the coil resistance ( $\Omega$ )

$I_{AVG}$  is the required LED current (A)

$\Delta I$  is the coil peak-peak ripple current (A) {Internally set to  $0.3 \times I_{AVG}$ }

$V_{IN}$  is the supply voltage (V)

$V_{LED}$  is the total LED forward voltage (V)

$R_{LX}$  is the switch resistance ( $\Omega$ )

$V_D$  is the diode forward voltage at the required load current (V)

Example:

For  $V_{IN}=12V$ ,  $L=47\mu H$ ,  $R_L=0.26\Omega$ ,  $V_{LED}=3.4V$ ,  $I_{AVG}=333mA$ ,  $V_D=0.36V$ ,  $R_S=0.3\Omega$ ,  $R_{LX}=0.5\Omega$ :

$$t_{ON} = \frac{47 \times 0.3 \times 0.333}{12 - 3.4 - 0.333 \times (0.3 + 0.26 + 0.5)} \approx 0.569 \mu s$$

$$t_{OFF} = \frac{47 \times 0.3 \times 0.333}{3.4 + 0.36 + 0.333 \times (0.26 + 0.3)} \approx 1.19 \mu s$$

This gives an operating frequency of 569kHz and a duty cycle of 32%.

Optimum performance will be achieved by setting the duty cycle close to 50% at the nominal supply voltage. This helps to equalize the undershoot and overshoot and improves temperature stability of the output current.

## DIODE SELECTION

For maximum efficiency and performance, the rectifier ( $D_1$ ) should be a fast low capacitance Schottky diode with low reverse leakage at the maximum operating voltage and temperature.

If alternative diodes are used, it is important to select parts with a peak current rating above the peak coil current and a continuous current rating higher than the maximum output load current. It is very important to consider the reverse leakage of the diode when operating at high temperature. Excess leakage will increase the power dissipation in the device.

The higher forward voltage and overshoot due to

# IS31LT3353

reverse recovery time in silicon diodes will increase the peak voltage on the LX output. If a silicon diode is used, care should be taken to ensure that the total voltage appearing on the LX pin including supply ripple, does not exceed the specified maximum value.

## REDUCING OUTPUT RIPPLE

A value of 1µF will reduce nominal ripple current by a factor three (approx.). Proportionally lower ripple can be achieved with higher capacitor values. Note that the capacitor will not affect operating frequency or efficiency, but it will increase start-up delay, by reducing the rate of rise of LED voltage.

## OPERATION AT LOW SUPPLY VOLTAGE

The internal regulator disables the drive to the switch until the supply has risen above the startup threshold set internally which makes power MOSFET on-resistance small enough. Above this threshold, the chip will start to operate. However, with the supply voltage below the specified minimum value, the switch duty cycle will be high and the chip power dissipation will be at a maximum. Care should be taken to avoid operating the chip under such conditions in the application, in order to minimize the risk of exceeding the maximum allowed die temperature. (See next section on thermal considerations).

Note that when driving loads of two or more LEDs, the forward drop will normally be sufficient to prevent the chip from switching below approximately 6V. This will minimize the risk of damage to the chip.

## THERMAL CONSIDERATIONS

When operating the chip at high ambient temperatures, or when driving maximum load current, care must be taken to avoid exceeding the package power dissipation limits. The maximum power dissipation can be calculated using the following Equation (6):

$$P_{D(MAX)} = \frac{T_{J(MAX)} - T_A}{\theta_{JA}} \quad (6)$$

Where  $T_{J(MAX)}$  is the maximum operating junction temperature,  $T_A$  is the ambient temperature, and  $\theta_{JA}$  is the junction to ambient thermal resistance.

The recommended maximum junction temperature,  $T_{J(MAX)}$ , is 150°C and so maximum ambient temperature is determined by the junction to ambient thermal resistance,  $\theta_{JA}$ .

Therefore the maximum power dissipation at  $T_A = 25^\circ\text{C}$  is:

$$P_{D(MAX)} = \frac{150^\circ\text{C} - 25^\circ\text{C}}{271^\circ\text{C}/\text{W}} \approx 0.46\text{W} \quad (\text{SOT23-5})$$

$$P_{D(MAX)} = \frac{150^\circ\text{C} - 25^\circ\text{C}}{132.6^\circ\text{C}/\text{W}} \approx 0.94\text{W} \quad (\text{SOT89-5})$$

The graph below gives details for power derating.

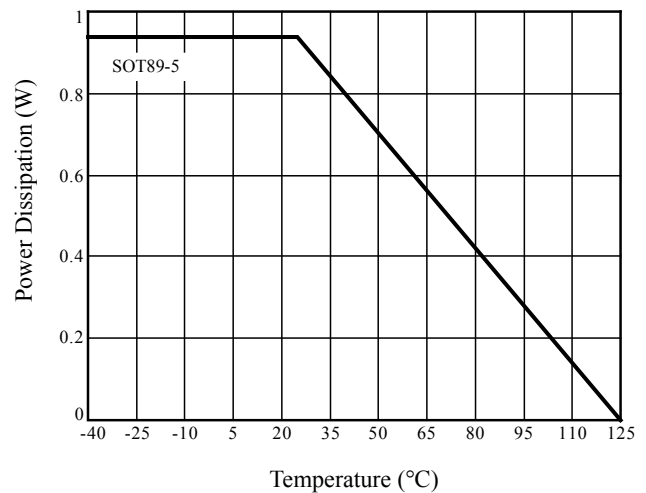
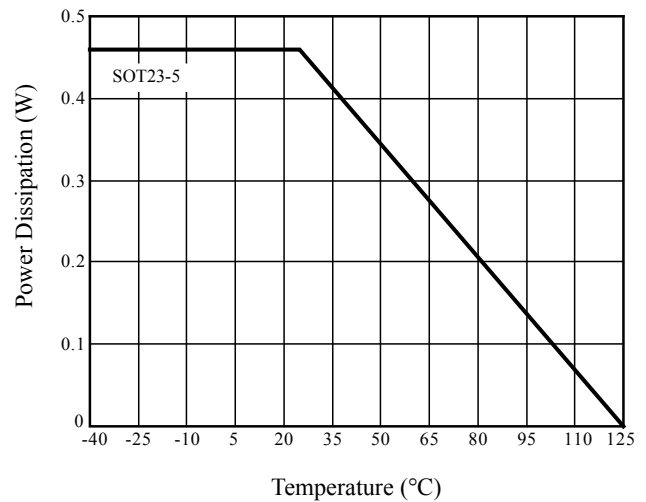


Figure 19  $P_D$  vs.  $T_A$

It will also increase if the efficiency of the circuit is low. This may result from the use of unsuitable coils, or excessive parasitic output capacitance on the switch output.

## LAYOUT CONSIDERATIONS

### VIN Pin

The GND of power supply usually have some distance to the chip GND pin, which cause parasitic resistance and inductance. It causes ground voltage bounce while the MOSFET is switching. Connect a 0.1µF capacitor  $C_2$  as close to device as possible to minimize the ground bounce.

### LX Pin

The LX pin of the chip is a fast switching node, so PCB traces should be kept as short as possible. To minimize ground 'bounce', the ground pin of the chip should be soldered directly to the ground plane.



# IS31LT3353

---

## Coil And Decoupling Capacitor $C_1$

It is particularly important to mount the coil and the input decoupling capacitor close to the chip to minimize parasitic resistance and inductance, which will degrade efficiency. It is also important to take account of any trace resistance in series with current sense resistor  $R_S$ .

## ADJ Pin

The ADJ pin is a high impedance input, so when left floating, PCB traces to this pin should be as short as possible to reduce noise pickup. ADJ pin can also be connected to a voltage between 1.2V~5V. In this case, the internal circuit will clamp the output current at the value which is set by  $V_{ADJ}=1.2V$ .

## High Voltage Traces

Avoid running any high voltage traces close to the ADJ pin, to reduce the risk of leakage due to board contamination. Any such leakage may affect the ADJ pin voltage and cause unexpected output current. The IS31LT3353 has external protection circuitry to prevent excessive output current if ADJ voltage rises above 1.2V. A ground ring placed around the ADJ pin will minimize changes in output current under these conditions.

# IS31LT3353

## CLASSIFICATION REFLOW PROFILES

| Profile Feature   | Pb-Free Assembly                 |
|---|----------------------------------|
| <b>Preheat &amp; Soak</b><br>Temperature min (T <sub>smin</sub> )<br>Temperature max (T <sub>smax</sub> )<br>Time (T <sub>smin</sub> to T <sub>smax</sub> ) (t <sub>s</sub> ) | 150°C<br>200°C<br>60-120 seconds |
| Average ramp-up rate (T <sub>smax</sub> to T <sub>p</sub> )   | 3°C/second max.                  |
| Liquidous temperature (T <sub>L</sub> )<br>Time at liquidous (t <sub>L</sub> )  | 217°C<br>60-150 seconds          |
| Peak package body temperature (T <sub>p</sub> )*  | Max 260°C                        |
| Time (t <sub>p</sub> )** within 5°C of the specified classification temperature (T <sub>c</sub> )   | Max 30 seconds                   |
| Average ramp-down rate (T <sub>p</sub> to T <sub>smax</sub> )   | 6°C/second max.                  |
| Time 25°C to peak temperature   | 8 minutes max.                   |

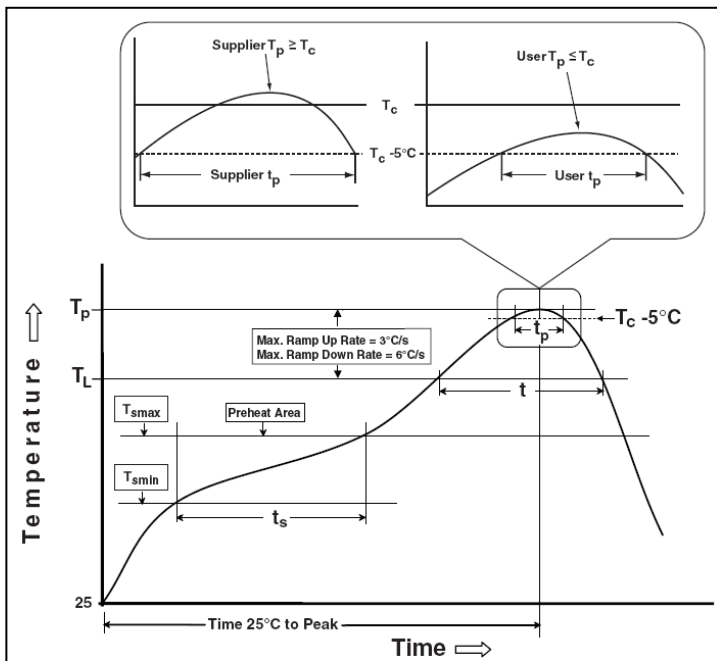
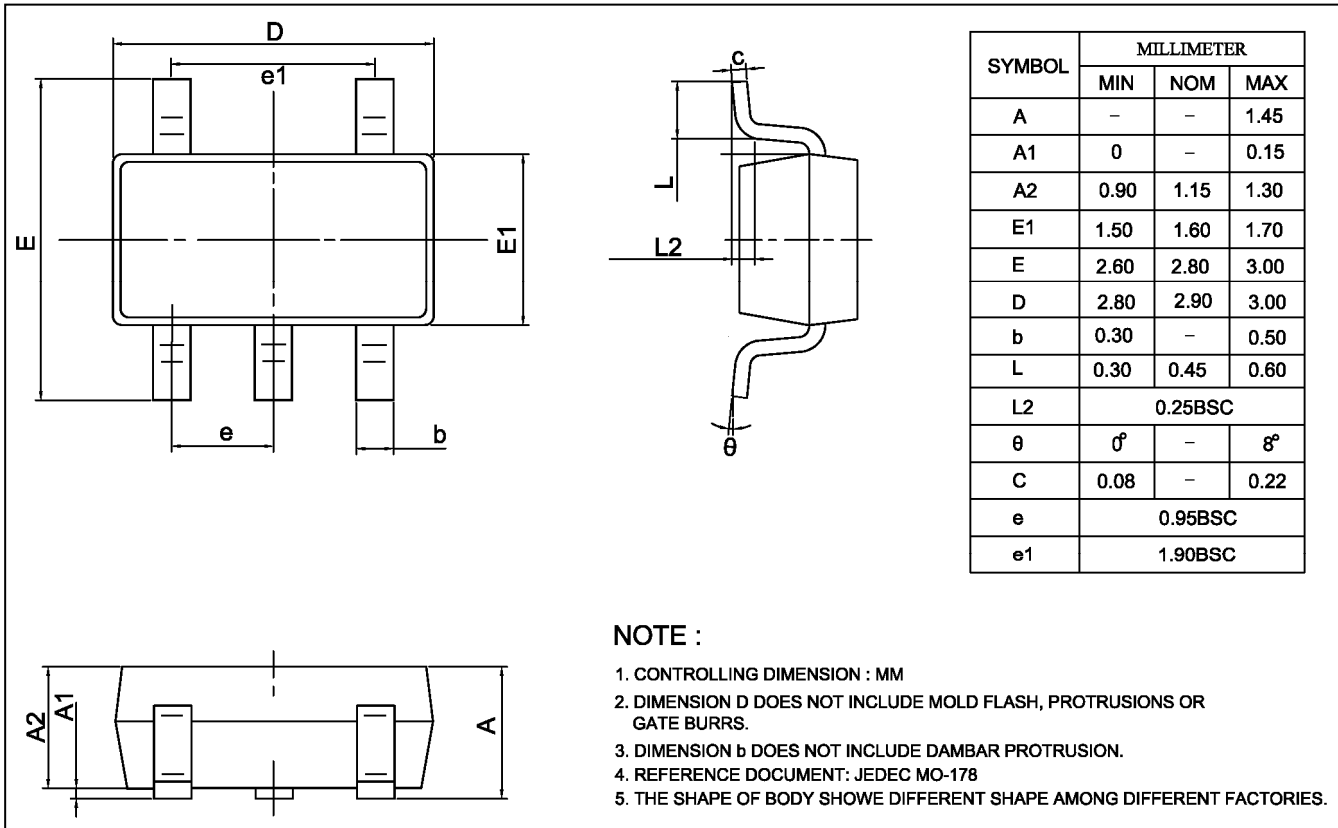


Figure 20 Classification Profile

# IS31LT3353

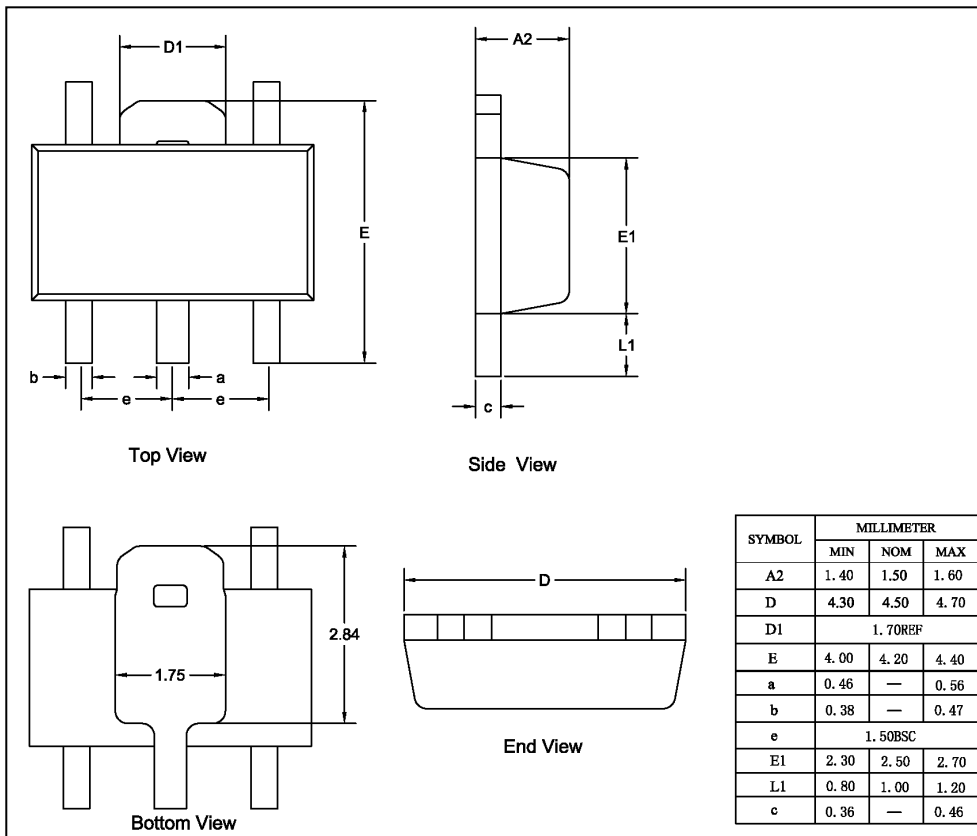
## PACKAGE INFORMATION

### SOT23-5



# IS31LT3353

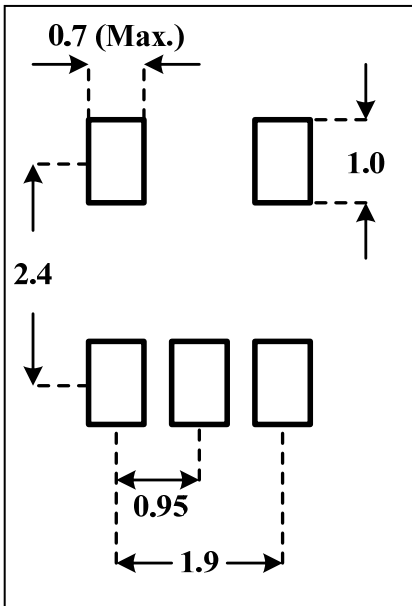
## SOT89-5



# IS31LT3353

## RECOMMENDED LAND PATTERN

### SOT23-5



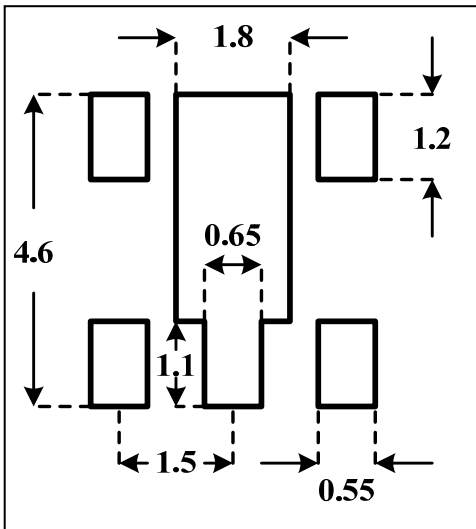
#### Note:

1. Land pattern complies to IPC-7351.
2. All dimensions in MM.
3. This document (including dimensions, notes & specs) is a recommendation based on typical circuit board manufacturing parameters. Since land pattern design depends on many factors unknown (eg. user's board manufacturing specs), user must determine suitability for use.



# IS31LT3353

SOT89-5



**Note:**

1. Land pattern complies to IPC-7351.
2. All dimensions in MM.
3. This document (including dimensions, notes & specs) is a recommendation based on typical circuit board manufacturing parameters. Since land pattern design depends on many factors unknown (eg. user's board manufacturing specs), user must determine suitability for use.



# IS31LT3353

---

## REVISION HISTORY

| Revision | Detail Information  | Date       |
|----------|---|------------|
| A        | Initial release   | 2012.07.05 |
| B        | 1. Add SOT89-5 package information<br>2. Add land pattern | 2015.05.20 |