



Chipsmall Limited consists of a professional team with an average of over 10 year of expertise in the distribution of electronic components. Based in Hongkong, we have already established firm and mutual-benefit business relationships with customers from,Europe,America and south Asia,supplying obsolete and hard-to-find components to meet their specific needs.

With the principle of “Quality Parts,Customers Priority,Honest Operation,and Considerate Service”,our business mainly focus on the distribution of electronic components. Line cards we deal with include Microchip,ALPS,ROHM,Xilinx,Pulse,ON,Everlight and Freescale. Main products comprise IC,Modules,Potentiometer,IC Socket,Relay,Connector.Our parts cover such applications as commercial,industrial, and automotives areas.

We are looking forward to setting up business relationship with you and hope to provide you with the best service and solution. Let us make a better world for our industry!



## Contact us

Tel: +86-755-8981 8866 Fax: +86-755-8427 6832

Email & Skype: info@chipsmall.com Web: www.chipsmall.com

Address: A1208, Overseas Decoration Building, #122 Zhenhua RD., Futian, Shenzhen, China



# IS31LT3910

## UNIVERSAL HIGH BRIGHTNESS LED DRIVER WITH TEMPERATURE COMPENSATION

May 2014

### GENERAL DESCRIPTION

The IS31LT3910 is a peak current mode control LED driver IC. The IS31LT3910 operates in constant off-time mode. It allows efficient operation of High Brightness (HB) LEDs with voltage sources ranging from 8VDC to 450DC or 110VAC/220VAC. The IS31LT3910 includes a PWM dimming input that can accept an external control signal with a duty ratio of 0 - 100% and a frequency of up to a few kilohertz. It also includes a 0 - 240mV linear dimming input which can be used both for linear dimming and temperature compensation of the LED current.

The IS31LT3910 is ideally suited for buck LED drivers. Since the IS31LT3910 operates in peak current mode control, the controller achieves good output current regulation without the need for any loop compensation. It achieves good PWM dimming response because the response time is limited only by the rate of rise and fall of the inductor current, enabling very fast rise and fall time.

### FEATURES

- Wide input range from 8VDC to 450DC or 110VAC/220 VAC
- Temperature compensation to regulate LED current
- Application from a few mA to more than 1A output
- Constant off-time operation
- Linear and PWM dimming capability
- Switch mode controller for single switch LED drivers
- Requires few external components for operation

### APPLICATIONS

- DC/DC or AC/DC LED driver applications
- General purpose constant current source
- Signal and decorative LED lighting
- backlighting LED driver

### TYPICAL APPLICATION CIRCUIT

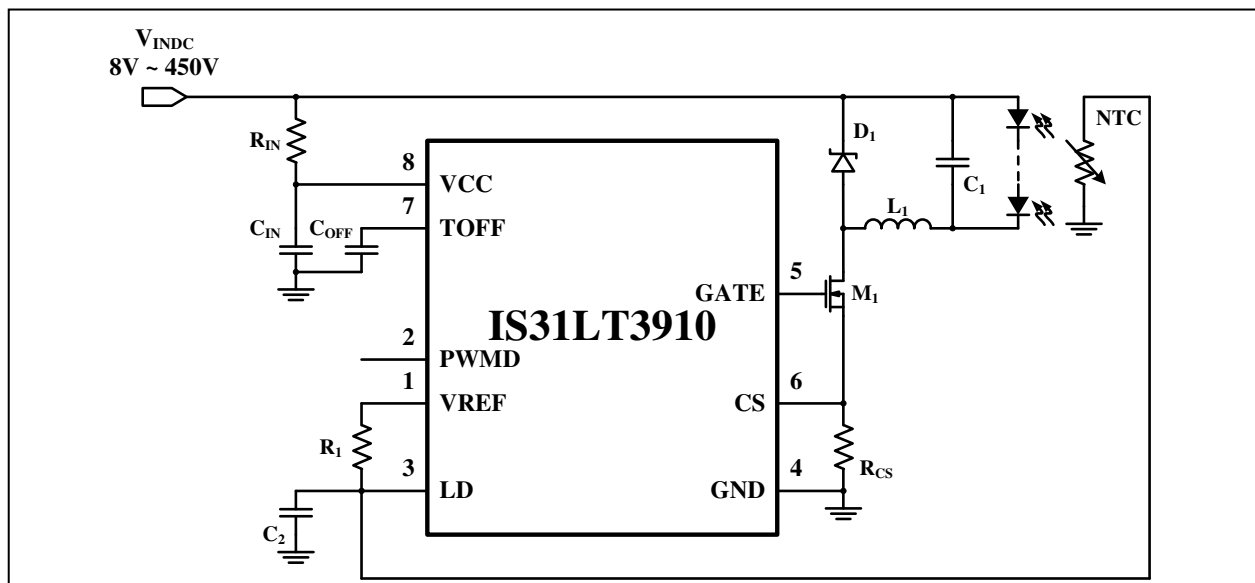
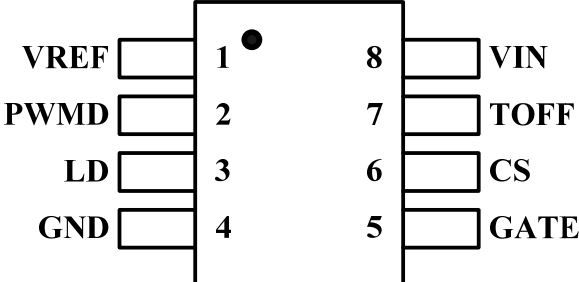


Figure 1 Typical Application Circuit

# IS31LT3910

## PIN CONFIGURATIONS

Package	Pin Configurations (Top View)
SOP-8	 <p>           VREF [ ] 1 ● 8 [ ] VIN            PWMD [ ] 2 7 [ ] TOFF            LD [ ] 3 6 [ ] CS            GND [ ] 4 5 [ ] GATE         </p>

## PIN DESCRIPTION

No.	Pin	Description
1	VREF	This pin provides reference a voltage of 1.2V, no bypass capacitor is needed.
2	PWMD	This is the PWM dimming input of the IC. When this pin is pulled to GND, the gate driver is turned off. When the pin is pulled high, the gate driver operates normally.
3	LD	This pin is the linear dimming input and sets the current sense threshold as long as the voltage at the pin is less than 240mV (Typ.). It can also used as temperature compensation threshold voltage.
4	GND	Ground return for all internal circuitry. This pin must be electrically connected to ground.
5	GATE	This pin is the output gate driver for an external N-channel power MOSFET.
6	CS	This pin is the current sense pin used to sense the MOSFET current by means of an external sense resistor. When this pin exceeds the lower of either the internal 240mV or the voltage at the LD pin, the gate output goes low.
7	TOFF	This pin sets the off time of the power MOSFET. If left floating then the off time will be 510ns. When a capacitor is connected between TOFF and GND, the off time is increased.
8	VIN	This pin is the input of an 8V ~ 450V voltage supply through a resistor, clamped at 7.1V internally, it must be bypassed with a capacitor to GND.



# IS31LT3910

---

## ORDERING INFORMATION

Industrial Range: -40°C to +85°C

---

Order Part No.	Package	QTY/Reel
IS31LT3910-GRLS2-TR	SOP-8, Lead-free	2500

---

Copyright © 2014 Integrated Silicon Solution, Inc. All rights reserved. ISSI reserves the right to make changes to this specification and its products at any time without notice. ISSI assumes no liability arising out of the application or use of any information, products or services described herein. Customers are advised to obtain the latest version of this device specification before relying on any published information and before placing orders for products.

Integrated Silicon Solution, Inc. does not recommend the use of any of its products in life support applications where the failure or malfunction of the product can reasonably be expected to cause failure of the life support system or to significantly affect its safety or effectiveness. Products are not authorized for use in such applications unless Integrated Silicon Solution, Inc. receives written assurance to its satisfaction, that:

- a.) the risk of injury or damage has been minimized;
- b.) the user assume all such risks; and
- c.) potential liability of Integrated Silicon Solution, Inc is adequately protected under the circumstances

# IS31LT3910

## ABSOLUTE MAXIMUM RATINGS

$V_{IN}$ pin voltage to GND	-0.3V ~ +8V
CS, LD, PWMD, GATE, TOFF, VREF pin voltage to GND	-0.3V ~ +6V
$V_{IN}$ pin Input Current Range (Note 1)	1mA ~ 10mA
Junction temperature range, $T_J$	-40°C ~ +150°C
Storage temperature range, $T_{STG}$	-65°C ~ +150°C
$R_{\theta JA}$	80°C/W
ESD (HBM)	8kV
ESD (CDM)	500V

**Note:** Stresses beyond those listed under absolute maximum ratings may cause permanent damage to the device. These are stress ratings only, and functional operation of the device at these or any other conditions beyond those indicated under recommended operating conditions is not implied. Exposure to absolute-maximum-rated conditions for extended periods may affect device reliability.

## ELECTRICAL CHARACTERISTICS

The specifications are at  $T_A=25^\circ\text{C}$  and  $V_{INDC}=10\text{V}$   $R_{IN}=2\text{k}\Omega$ , unless otherwise noted (Note 1).

Symbol	Parameter	Conditions	Min.	Typ.	Max.	Unit
$V_{INDC}$	Input DC supply voltage range	Connect a decent resistor from DC supply voltage to $V_{IN}$ pin (Note 2)	8		450	V
$V_{IN\_CLAMP}$	$V_{IN}$ clamp voltage	(Note 3)	6.6	7.1	7.6	V
$I_{IN}$	Operation current range	$V_{IN}=6\text{V}$ , GATE floating	0.32	0.48	0.64	mA
UVLO	Undervoltage lockout threshold	$V_{IN}$ rising	6.0	6.5	6.9	V
$\Delta\text{UVLO}$	Undervoltage lockout hysteresis	$V_{IN}$ falling		500		mV
$V_{ENL}$	Pin PWMD input low voltage				0.8	V
$V_{ENH}$	Pin PWMD input high voltage		2			V
$R_{EN}$	Pin PWMD pull-up resistance		75	100	125	k $\Omega$
$V_{CS\_TH}$	Current sense pull-in threshold voltage		230	240	250	mV
$V_{LD}$	Linear Dimming pin voltage low threshold			0.05		mV
$V_{HD}$	Linear Dimming pin voltage high threshold			0.24		mV
$t_{BLANK}$	Current sense blanking interval		400	480	550	ns
$t_{DELAY}$	Delay to output	$V_{CS}=V_{CS\_TH}+50\text{mV}$ after $t_{BLANK}$		30		ns
$t_{OFF}$	Off Time	TOFF pin Floating	420	510	600	ns
$t_{RISE}$	GATE output rise time	$C_{GATE}=500\text{pF}$		19		ns
$t_{FALL}$	GATE output fall time	$C_{GATE}=500\text{pF}$		29		ns
$V_{REF}$	REF pin voltage		1.12	1.20	1.30	V
$V_{REF\_LOAD}$	Load regulation of reference voltage	$I_{REF}=0\sim 500\mu\text{A}$ , $V_{PWMD}=5.0\text{V}$		0.5	5	mV

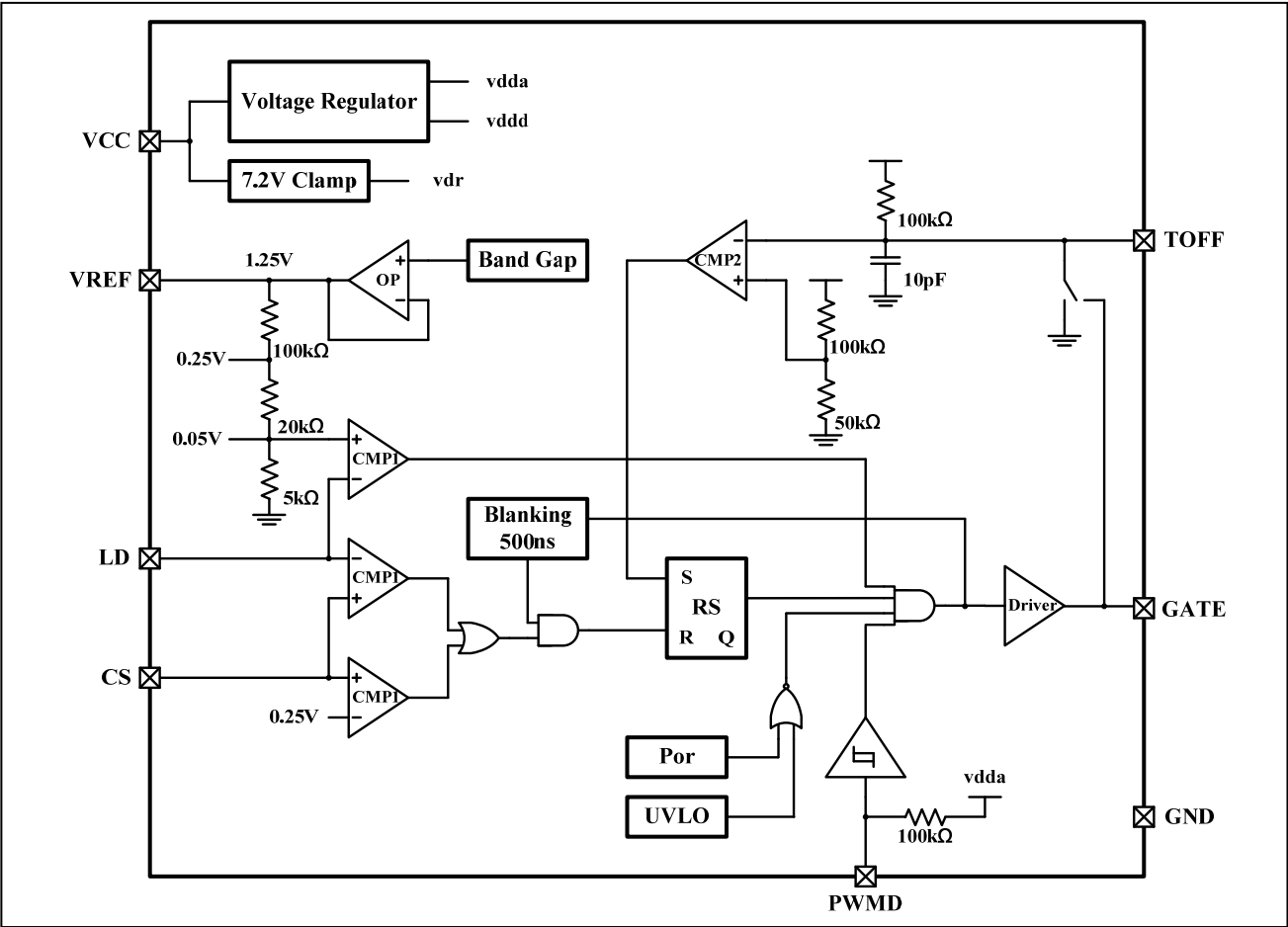
**Note 1:** All parameters are tested at 25°C. Specifications over temperature are guaranteed by design.

**Note 2:**  $V_{INDC}$  is the power supply to LED, and there should be an appropriate resistor between  $V_{INDC}$  and  $V_{IN}$ .

**Note 3:** Beyond the input current range,  $V_{IN}$  may not clamp at 7.1V.

# IS31LT3910

## FUNCTIONAL BLOCK DIAGRAM



## APPLICATION INFORMATION

The IS31LT3910 is optimized to drive buck LED drivers using peak current mode control. This control method provides fairly accurate LED current control without the need for a high side current sensing or the design of any additional loop compensation. The IC uses very few external components and provides for either Linear or PWM control of the LED current.

A capacitor connected to the TOFF pin programs the off-time of the oscillator inside. The oscillator produces pulses at regular intervals. These pulses set the SR flip-flop in the IS31LT3910 which causes the GATE driver to turn on. When the MOSFET turns on, the current through the inductor starts ramping up. This current flows through the external sense resistor  $R_{CS}$  and produces a ramp voltage at the CS pin. The comparators are constantly comparing the CS pin voltage to both the voltage at the LD pin and the internal 240mV. Once the blanking time is complete, the output of these comparators is allowed to reset the flip flop. When the output of either one of the two comparators goes high, the flip flop is reset and the GATE output goes low. If neither of the comparator goes high, the GATE keeps high. Assuming a 30% ripple in the inductor, the current sense resistor  $R_{CS}$  can be set by using:

$$R_{CS} = \frac{0.24V(orV_{LD})}{1.15 \times I_{LED}(A)}$$

A constant off-time peak current control scheme can easily operate at duty cycles greater than 0.5 and also gives inherent input voltage rejection making the LED current almost insensitive to input voltage variations.

### INPUT VOLTAGE REGULATOR

When a voltage is applied through a suitable input resistor to the VIN pin, the IS31LT3910 maintains a constant 7.1V (Typ.) at the VIN pin. This voltage is used to power the IC. The VIN pin must be bypassed by a low ESR capacitor to provide a low impedance path for the high frequency current of the output GATE driver.

The input current drawn from the VIN pin is a sum of the 0.5mA (Typ) current drawn by the internal circuit and the current drawn by the GATE driver (which in turn depends on the switching frequency and the GATE charge of the external MOSFET).

$$I_{IN} \approx 0.5mA + Q_G \times f_S$$

In the above equation,  $f_S$  is the switching frequency and  $Q_G$  is the GATE charge of the external MOSFET (which can be obtained from the datasheet of the MOSFET).

### CURRENT SENSE

The current sense input of the IS31LT3910 goes to the non-inverting inputs of two comparators. The inverting terminal of one comparator is tied to an internal 240mV reference whereas the inverting terminal of the other comparator is connected to the LD pin. The outputs of both these comparators are fed into an OR GATE and the output of the OR GATE is fed into the reset pin of the flip-flop. Thus, the comparator which has the lowest voltage at the inverting terminal determines when the GATE output is turned off.

The outputs of the comparators also include a typical 480ns blanking time which prevents spurious turn-offs of the external MOSFET due to the turn-on spike normally present in peak current mode control. In rare cases, this internal blanking time might not be enough to filter out the turn-on spike. In these cases, an external RC filter needs to be added between the external sense resistor ( $R_{CS}$ ) and the CS pin.

Please note that the comparators are relatively fast with a typical 80ns response time. A proper layout minimizing external inductances will prevent false triggering of these comparators.

### OSCILLATOR

The oscillator in the IS31LT3910 is controlled by a single capacitor connected at the TOFF pin. The equation governing the  $t_{OFF}$  time of oscillation period is given by:

$$t_{OFF\_TIME}(s) = 0.51 \times 10^{-6} \times \left(1 + \frac{C_{OFF}}{10pF}\right)$$

### LINEAR DIMMING

The Linear Dimming pin is used to control the LED current. An external voltage ranging from 50mV to 240mV can be applied to the LD pin to adjust the LED current during operation. There are two cases when it may be necessary to use the Linear Dimming pin.

In some cases, it may not be possible to find the exact  $R_{CS}$  value required to obtain the LED current when the internal 240mV is used. In these cases, an external voltage divider from the VIN pin can be connected to the LD pin to obtain a voltage (less than 240mV) corresponding to the desired voltage across  $R_{CS}$ .

Linear dimming may be desired to adjust the current level to reduce the brightness of the LEDs. Connecting a resistor between the VREF pin and the LD pin, and also connecting an NTC thermistor between the LD pin and ground (refer to Application Circuit), the IS31LT3910 is able to realize the temperature compensation function (See more detail

# IS31LT3910

in Temperature Compensation section).

To use the internal 240mV, the LD pin must be connected to PWMD pin.

## PWM DIMMING

PWM Dimming can be achieved by driving the PWMD pin with a low frequency square wave signal. When the PWM signal is low, the GATE driver is disabled; and when the PWMD signal is high, the GATE driver is enabled. Since the PWMD signal does not turn off the other parts of the IC, the response of the IS31LT3910 to the PWMD signal is almost instantaneous. The rate of rise and fall of the LED current is thus determined solely by the rise and fall times of the inductor current.

To disable PWM dimming function, leave the PWMD pin floating.

## TEMPERATURE COMPENSATION

IS31LT3910 provides thermal protection for your LEDs. Refer to application circuit, adding a NTC thermistor close to the LEDs string will realize the temperature compensation of LEDs current. If the temperature of the LEDs rises, the resistance of the NTC thermistor decreases until the voltage of the LD pin falls below 0.24V. Then the average current is controlled by the LD pin and the temperature compensation function starts. The formula is given as below:

$$\frac{R_{NTC} \times V_{REF}}{R_1 + R_{NTC}} = 0.24V$$

Assuming a 30% ripple in the inductor, the temperature compensated continuous current may be computed as:

$$I_{OUT} = \frac{R_{NTC} \times V_{REF}}{(R_1 + R_{NTC}) \times R_s \times 1.15}$$

Make sure the value of  $R_1$  is more than 1k $\Omega$ .

When the LD pin voltage reduces to less than 50mV the chip is shutdown.

After the ambient temperature returns to a safe temperature, the current will return to the set value.

Example:

DC input voltage:  $V_{INDC} = 230V$

Output LED strings:  $V_O = 134.4V$  (42 LEDs in series, 3.2V for each one),

$I_{O\_AVG} = 160mA$  (8 parallels LEDs, 20mA for each one)

## IC INPUT RESISTOR ( $R_{IN}$ ) AND HOLD CAPACITOR ( $C_{IN}$ )

$$R_{IN} = \frac{V_{INDC} - V_{IN}}{I_{IN}} = \frac{230 - 7.0}{1} \approx 223k\Omega$$

parallel two 430k $\Omega$ /0.5W resistor for lifetime consideration.  $C_{IN}$  is chosen to be 10 $\mu F$ /40V capacitor

## $T_{OFF}$ TIME REGULATION CAPACITOR ( $C_{OFF}$ ) AND $T_{OFF}$ TIME

For high output voltage, low output current application, we need shorter  $t_{OFF}$  time to obtain the smaller application inductor. For high output current application, it is suggested that the frequency is set to not more than 50kHz (typical 25kHz~30kHz). In IS31LT3910,

$$t_{OFF\_TIME} = 0.51 \times 10^{-6} \times \left(1 + \frac{C_{OFF}}{10pF}\right)$$

So, apply  $C_{OFF} = 150pF$ , then  $t_{OFF} = 8.16\mu s$ .

## CURRENT SENSE RESISTOR ( $R_{CS}$ )

Design for low current ripple will also improve current accuracy, but it will require a large value of inductor. High current ripple allows a lower cost inductor. So we need to consider these two factors when selecting an inductor.

A capacitor placed in parallel with the array of LEDs can be used to reduce the LED current ripple while keeping the same average current. A typical value is 1 $\mu F$  should be used.

Since the output average  $I_{O\_AVG} = 160mA$ , Assume 50% current ripple, then

$$\frac{1}{2} I_{Ripple} = \frac{1}{2} \times 50\% \times 160mA = 40mA$$

$$I_{O\_PEAK} = I_{O\_AVG} + \frac{1}{2} I_{Ripple} = 200mA$$

$$R_{CS} = \frac{0.24V}{200mA} = 1.2\Omega$$

## THE INDUCTOR ( $L_1$ ) CHOSEN

The inductor value depends on the ripple current in the LEDs.  $t_{OFF} = 8.16\mu s$

$$L = \frac{V_O \times t_{OFF}}{I_{Ripple}} = \frac{134.4 \times 8.16}{80} \approx 13.7mH$$

The inductor chosen should have a saturation current higher than the peak output current and a continuous current rating above the required mean output current.

The DC resistance (DCR) of the inductor is also essential when choosing an inductor. Bigger DCR will lead to more heat. The value of the inductor will reduce as its temperature rises, leading to higher current ripple, which in turn, reduces the average output current.



# IS31LT3910

---

## MOSFET (Q1) AND DIODE (D1)

The peak voltage seen by the MOSFET is equal to the maximum input voltage. Using a 50% safety rating,

$$V_{FET} = 1.5 \times V_{INDC}$$

The maximum RMS current through the MOSFET depends on the maximum current. Hence, the current rating of the MOSFET is:

$$I_{FET} = I_{PEAK} \times 150\%$$

For this application, choose a MOSFET 600V, 1A to 2A. 2N60 is good choice.

The peak voltage rating of the diode is the same as the FET. The current range of the diode is:

$$I_{Diode} = I_{PEAK} \times 150\%$$

For this example, 600V/1A fast recovery diode is recommended.

# IS31LT3910

## CLASSIFICATION REFLOW PROFILES

Profile Feature	Pb-Free Assembly
Preheat & Soak Temperature min (T <sub>smin</sub> ) Temperature max (T <sub>smax</sub> ) Time (T <sub>smin</sub> to T <sub>smax</sub> ) (t <sub>s</sub> )	150°C 200°C 60-120 seconds
Average ramp-up rate (T <sub>smax</sub> to T <sub>p</sub> )	3°C/second max.
Liquidous temperature (T <sub>L</sub> ) Time at liquidous (t <sub>L</sub> )	217°C 60-150 seconds
Peak package body temperature (T <sub>p</sub> )*	Max 260°C
Time (t <sub>p</sub> )** within 5°C of the specified classification temperature (T <sub>c</sub> )	Max 30 seconds
Average ramp-down rate (T <sub>p</sub> to T <sub>smax</sub> )	6°C/second max.
Time 25°C to peak temperature	8 minutes max.

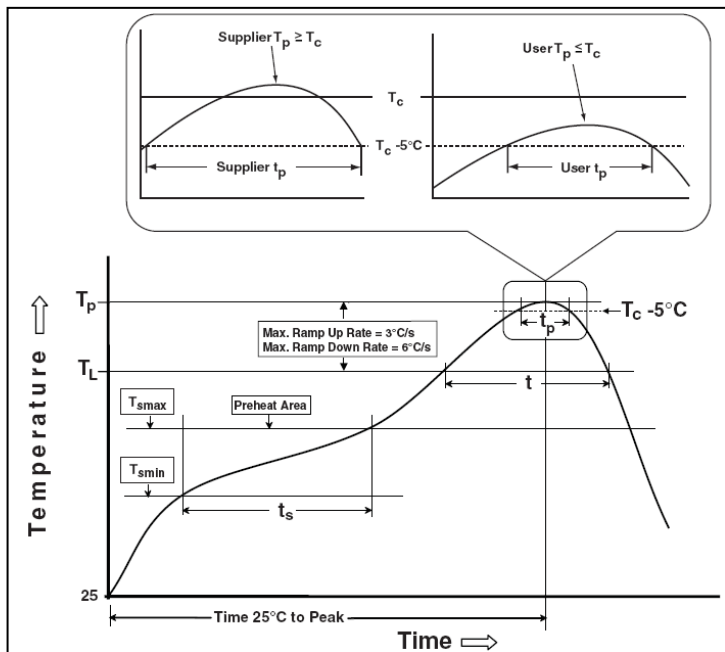
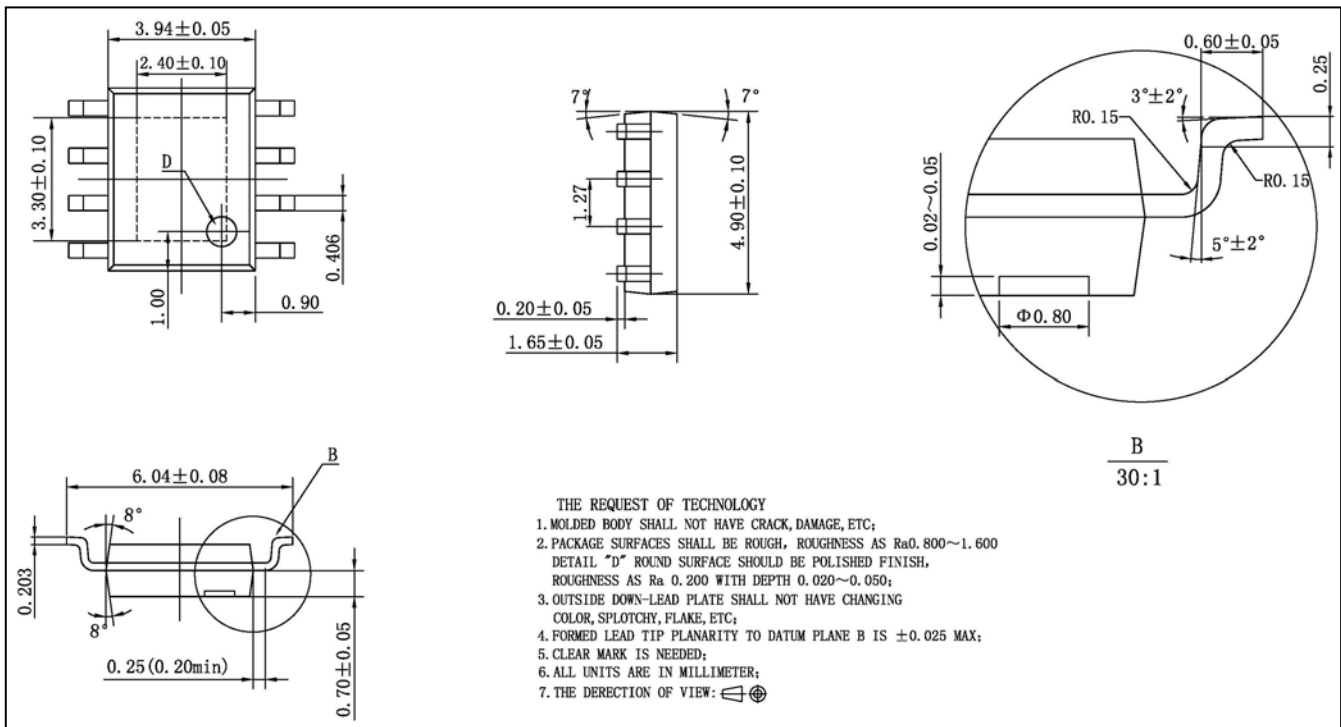


Figure 2 Classification Profile

# IS31LT3910

## PACKAGE INFORMATION

### SOP-8



**Note:** All dimensions in millimeters unless otherwise stated.