



Chipsmall Limited consists of a professional team with an average of over 10 year of expertise in the distribution of electronic components. Based in Hongkong, we have already established firm and mutual-benefit business relationships with customers from,Europe,America and south Asia,supplying obsolete and hard-to-find components to meet their specific needs.

With the principle of “Quality Parts,Customers Priority,Honest Operation,and Considerate Service”,our business mainly focus on the distribution of electronic components. Line cards we deal with include Microchip,ALPS,ROHM,Xilinx,Pulse,ON,Everlight and Freescale. Main products comprise IC,Modules,Potentiometer,IC Socket,Relay,Connector.Our parts cover such applications as commercial,industrial, and automotives areas.

We are looking forward to setting up business relationship with you and hope to provide you with the best service and solution. Let us make a better world for our industry!



Contact us

Tel: +86-755-8981 8866 Fax: +86-755-8427 6832

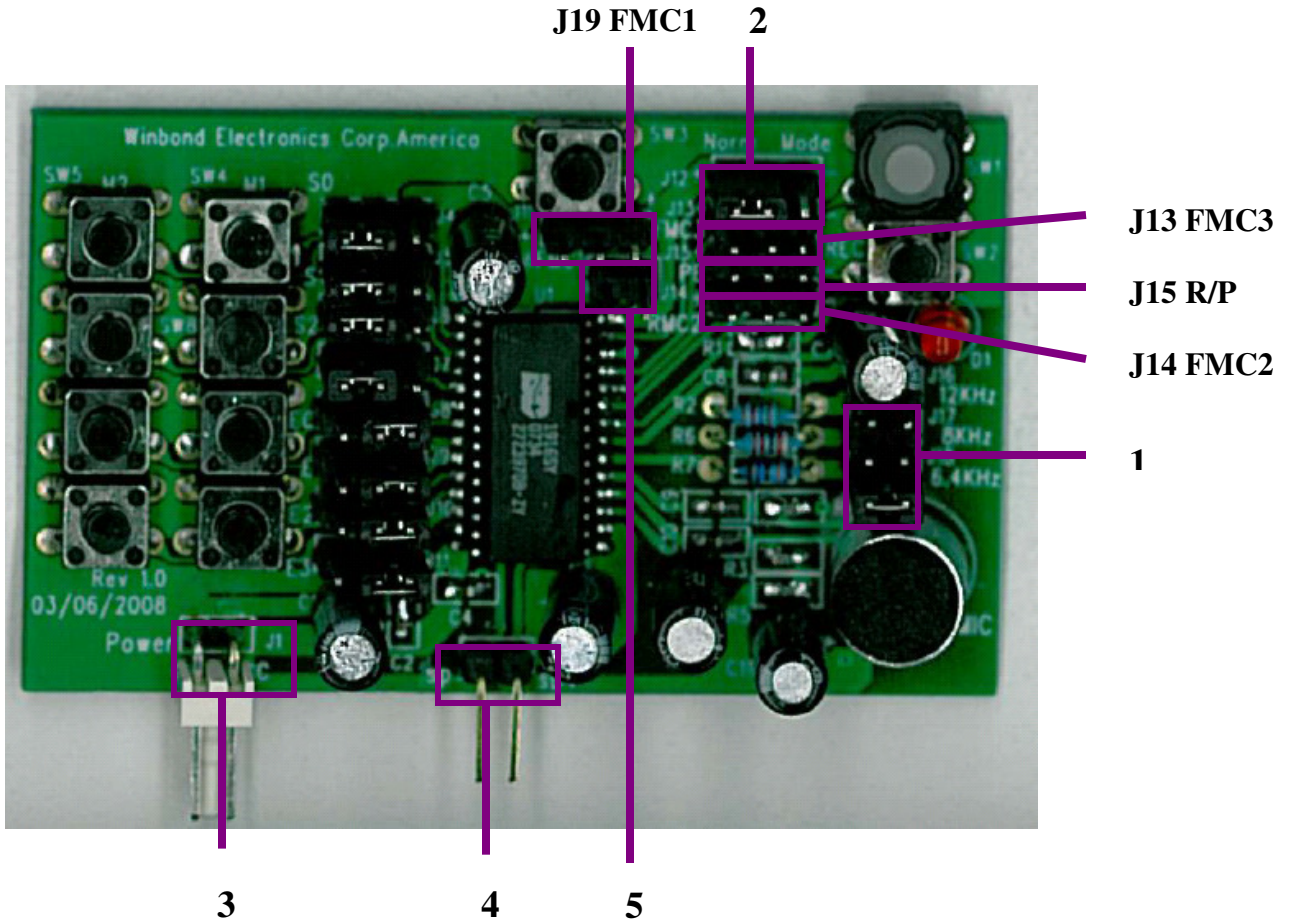
Email & Skype: info@chipsmall.com Web: www.chipsmall.com

Address: A1208, Overseas Decoration Building, #122 Zhenhua RD., Futian, Shenzhen, China



ISD-COB19xx

User's Manual

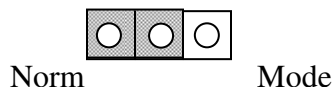


Hardware Configuration

1. Frequency selection: J16, J17 and J18. Use jumper to select desired sampling frequency.

	J16	J17	J18
Sampling Frequency	12 kHz	8 kHz	6.4 kHz
Rosc	53.3 K Ω	80 K Ω	100 K Ω

2. Mode setting: use J12 to select /Mode or Norm mode operation. Example below illustrated Norm mode setting that the two left pins are shorted. After a new condition is selected on **NORM** / **MODE**, the power must be cycled to enable new setting. User can perform the following to recycle the power: remove power from the board -> short J12 momentary -> re-apply the power.



(a) Mode: direct trigger mode

- a. SW4 ~ SW7, SW9~SW12 to play/record message.
- b. J15: set SW4~SW7, SW9~SW12 to perform play or record.
- c. J19 (FMC1), J14 (FMC2), J13 (FMC3): setup various fixed-message configurations.
- d. J4, J5, J6, J7, J8, J9, J10, J11 should be in open (no jumper) positions.

(b) Norm: address trigger mode

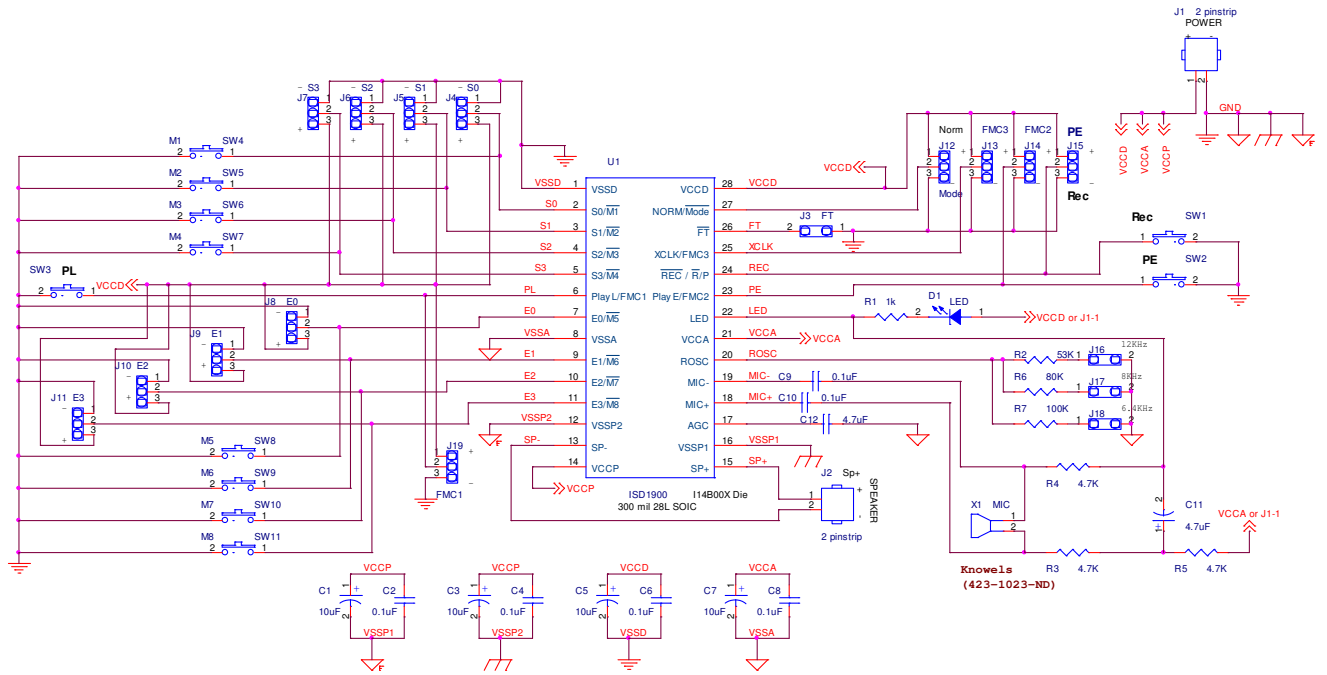
- a. J4 (S0), J5 (S1), J6 (S2), J7 (S3): start address
- b. J8 (M0), J9 (M1), J10 (M2), J11 (M3): end address
- c. SW1 (Record): level-hold (after 1 sec holding) or edge-trigger (toggle on-off), low active, recording from start to end addresses.
- d. SW2 (PlayE): low active input, edge-trigger playback from start to end addresses & toggle on-off.
- e. SW3 (PlayL): low active input, Level-hold playback start to end addresses. Holding PlayL constantly Low will perform looping playback function from start to end addresses.
- f. J13, J14, J15, J19 should be in open (no jumper) positions.

3. J1: Power connector

4. J2: Speaker connector

5. J3 Feed-Through: Low active input, Level-hold. When Feed-Through is selected (J3 shorted), the MIC+ input is configured to a single-ended input with 1Vp-p maximum input amplitude and feed-through to the speaker outputs.

SCHEMATIC:



For any technical details of the ISD1900 series, please refer to the datasheet.