



Chipsmall Limited consists of a professional team with an average of over 10 year of expertise in the distribution of electronic components. Based in Hongkong, we have already established firm and mutual-benefit business relationships with customers from,Europe,America and south Asia,supplying obsolete and hard-to-find components to meet their specific needs.

With the principle of “Quality Parts,Customers Priority,Honest Operation,and Considerate Service”,our business mainly focus on the distribution of electronic components. Line cards we deal with include Microchip,ALPS,ROHM,Xilinx,Pulse,ON,Everlight and Freescale. Main products comprise IC,Modules,Potentiometer,IC Socket,Relay,Connector.Our parts cover such applications as commercial,industrial, and automotives areas.

We are looking forward to setting up business relationship with you and hope to provide you with the best service and solution. Let us make a better world for our industry!



## Contact us

Tel: +86-755-8981 8866 Fax: +86-755-8427 6832

Email & Skype: info@chipsmall.com Web: www.chipsmall.com

Address: A1208, Overseas Decoration Building, #122 Zhenhua RD., Futian, Shenzhen, China



DO NOT SCALE FROM THIS PRINT

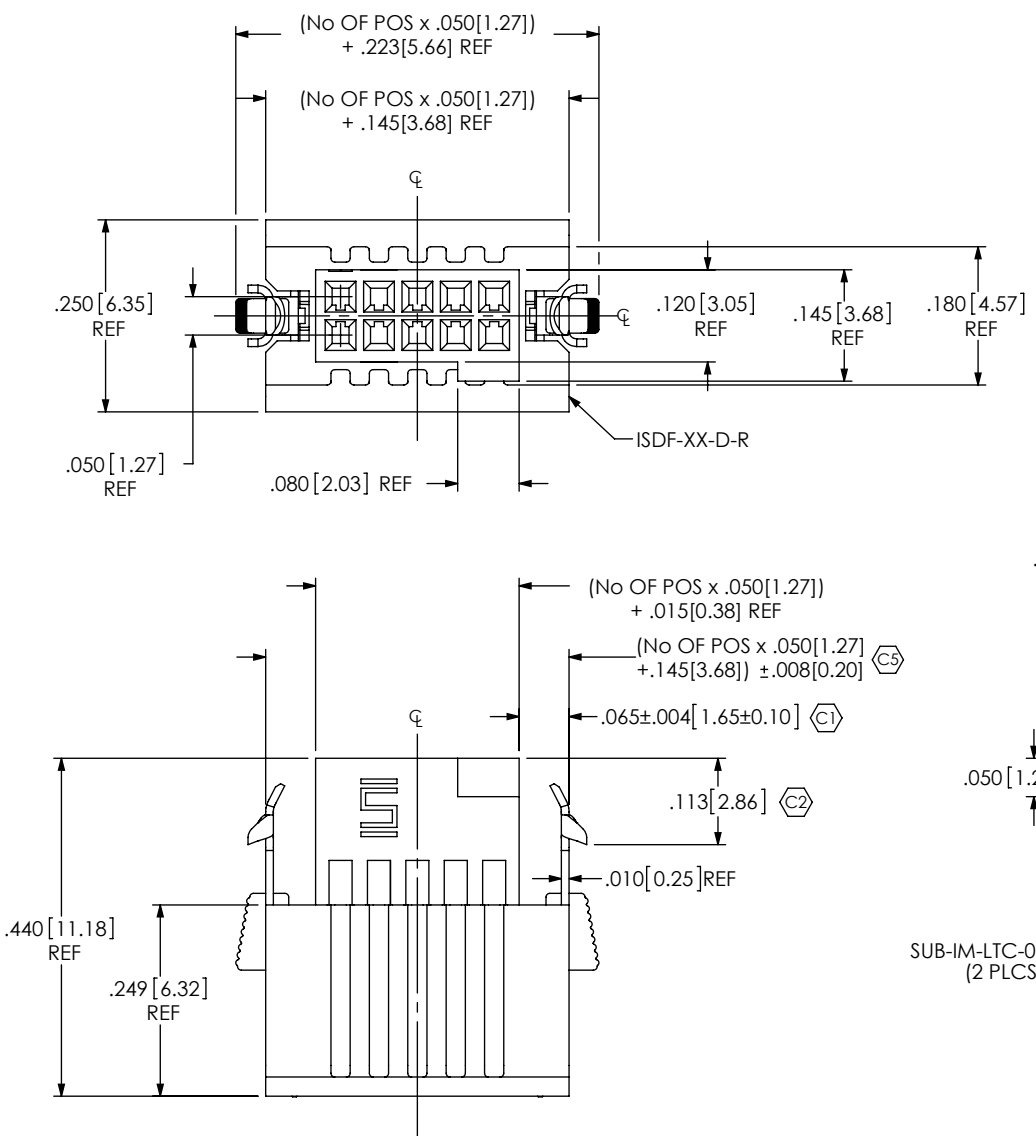


FIG 1  
ISDF-05-D-M SHOWN

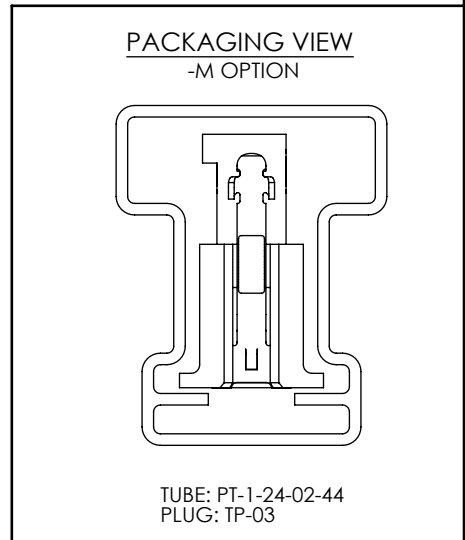
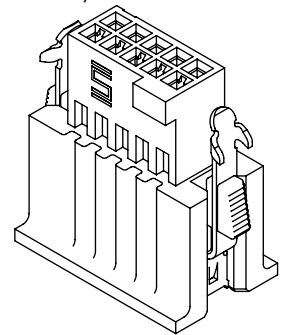
**ISDF-XX-D-X**

No OF POSITIONS  
-02 THRU -50  
(PER ROW)

ROW SPECIFICATION  
-D: DOUBLE

OPTIONS  
LEAVE BLANK: NO KEY  
-M: METAL RETENTION LATCH  
(SEE FIG 1)  
-S: DUAL SCREW DOWN  
(SEE SHT 2, FIG 2)  
-C: CHAMFER  
(SEE SHT 3, FIG 3)  
(7 POSITION ONLY)  
-L: FRICTION LOCK  
(SEE SHEET 3, FIG 4)  
(AVAILABLE ON POS \*-05,  
\*-07,-10 THRU -50)

(\* = NOT AVAILABLE WITH POLARIZATION KEY)



- NOTES:
1. C1 REPRESENTS A CRITICAL DIMENSION.
  2. LATCH RETENTION FORCE: .5 LB [2.22N].
  3. PARTS TO BE PACKAGED IN TUBES.

<p>UNLESS OTHERWISE SPECIFIED, DIMENSIONS ARE IN INCHES. TOLERANCES ARE:</p> <p>DECIMALS      ANGLES</p> <p>.XX: ±.01 [.3]      2°</p> <p>.XXX: ±.005 [.13]</p> <p>.XXXX: ±.0020 [.051]</p>	<p><b>PROPRIETARY NOTE</b></p> <p>THIS DOCUMENT CONTAINS INFORMATION CONFIDENTIAL AND PROPRIETARY TO SAMTEC, INC. AND SHALL NOT BE REPRODUCED OR TRANSFERRED TO OTHER DOCUMENTS OR DISCLOSED TO OTHERS OR USED FOR ANY PURPOSE OTHER THAN THAT WHICH IT WAS OBTAINED WITHOUT THE EXPRESSED WRITTEN CONSENT OF SAMTEC, INC.</p>	<p><b>samtec</b></p> <p>520 PARK EAST BLVD, NEW ALBANY, IN 47150 PHONE: 812-944-6733    FAX: 812-948-5047 e-Mail: info@SAMTEC.com    code 55322</p>	
		<p><b>MATERIAL:</b>      DO NOT SCALE DRAWING      SHEET SCALE: 2:1</p> <p>INSULATOR: LCP, UL 94 V-0, COLOR: BLACK LATCH: NICKEL-PLATED PHOS BRONZE BUTTON: NYLON, COLOR: WHITE</p>	<p>DESCRIPTION: .050[1.27] DISCRETE WIRE INSULATOR &amp; LATCH ASM</p> <p>DWG. NO.      <b>ISDF-XX-D-X</b></p> <p>BY: BRATCHER 11/16/2006      SHEET 1 OF 3</p>



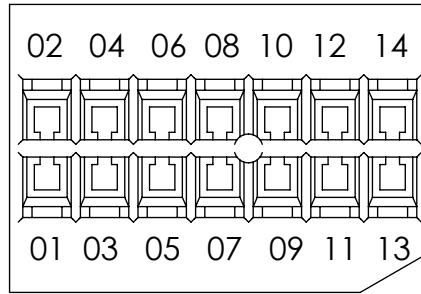


FIG 3  
ISDF-07-D-C SHOWN  
(DIFFERENT AS SHOWN, OTHERWISE SAME AS FIG 1)

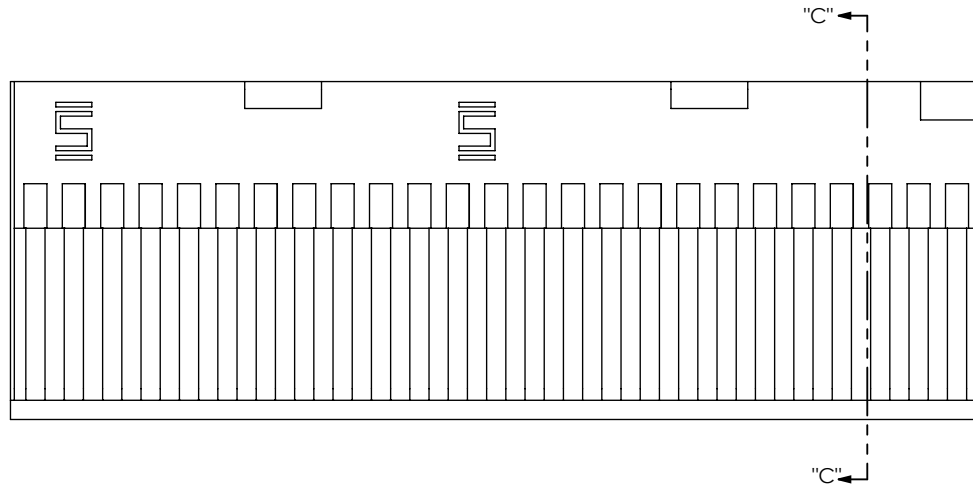
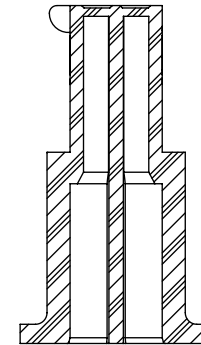


FIG 4  
ISDF-25-D-L SHOWN  
(DIFFERENT AS SHOWN, OTHERWISE SAME AS FIG 1)



SECTION "C"-"C"

**PROPRIETARY NOTE**  
THIS DOCUMENT CONTAINS INFORMATION  
CONFIDENTIAL AND PROPRIETARY TO  
SAMTEC, INC. AND SHALL NOT BE REPRODUCED  
OR TRANSFERRED TO OTHER DOCUMENTS OR  
DISCLOSED TO OTHERS OR USED FOR ANY  
PURPOSE OTHER THAN THAT WHICH IT WAS  
OBTAINED WITHOUT THE EXPRESSED WRITTEN  
CONSENT OF SAMTEC, INC.

DO NOT SCALE DRAWING

SHEET SCALE: 4:1

**samtec**

520 PARK EAST BLVD, NEW ALBANY, IN 47150  
PHONE: 812-944-6733 FAX: 812-948-5047  
e-Mail info@SAMTEC.com code 55322

DESCRIPTION:  
.050[1.27] DISCRETE WIRE INSULATOR & LATCH ASM

DWG. NO.  
**ISDF-XX-D-X**

BY: BRATCHER 11/16/2006 SHEET 3 OF 3