



Chipsmall Limited consists of a professional team with an average of over 10 year of expertise in the distribution of electronic components. Based in Hongkong, we have already established firm and mutual-benefit business relationships with customers from,Europe,America and south Asia,supplying obsolete and hard-to-find components to meet their specific needs.

With the principle of “Quality Parts,Customers Priority,Honest Operation,and Considerate Service”,our business mainly focus on the distribution of electronic components. Line cards we deal with include Microchip,ALPS,ROHM,Xilinx,Pulse,ON,Everlight and Freescale. Main products comprise IC,Modules,Potentiometer,IC Socket,Relay,Connector.Our parts cover such applications as commercial,industrial, and automotives areas.

We are looking forward to setting up business relationship with you and hope to provide you with the best service and solution. Let us make a better world for our industry!



Contact us

Tel: +86-755-8981 8866 Fax: +86-755-8427 6832

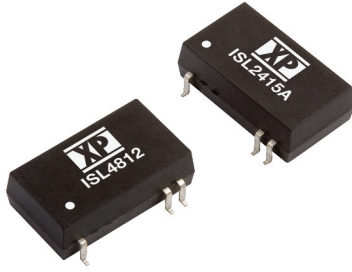
Email & Skype: info@chipsmall.com Web: www.chipsmall.com

Address: A1208, Overseas Decoration Building, #122 Zhenhua RD., Futian, Shenzhen, China



1.5 Watts

ISL Series



- Single & Dual Regulated Outputs
- 4:1 Input Range
- SMD Package
- Industry Standard Pinout
- 1500 VDC Isolation
- Short Circuit Protection
- 3 Year Warranty

Specification

Input

- Input Voltage Range**
 - 24 V (9-36 VDC)
 - 48 V (18-72 VDC)
- Input Reverse Voltage Protection**
 - None
- Input Surge**
 - 24 V: 40 VDC for 100 ms
 - 48 V: 80 VDC for 100 ms

Output

- Output Voltage**
 - See table
- Minimum Load**
 - 10%⁽¹⁾
- Line Regulation**
 - ±0.2% typical
- Load Regulation**
 - ±0.5% typical
- Setpoint Accuracy**
 - ±1%/±3% typical, positive/negative output
- Ripple & Noise**
 - 100 mV pk-pk 20 MHz bandwidth
- Temperature Coefficient**
 - 0.03%/°C
- Short Circuit Protection**
 - Continuous, automatic recovery

General

- Efficiency**
 - See table
- Isolation Voltage**
 - 1500 VDC
- Isolation Resistance**
 - 10⁹ Ω
- Isolation Capacitance**
 - 1000 pF typical
- Switching Frequency**
 - 550 kHz typical at nominal input, full load
- MTBF**
 - >1 Mhrs to MIL-HDBK-217F at 25 °C, GB

Environmental

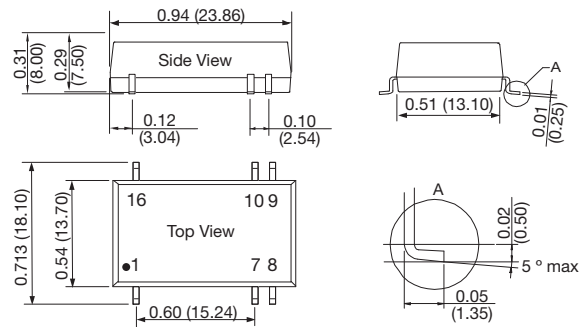
- Operating Temperature**
 - -40 °C to +85 °C, derate from 100% load at 70 °C to 0% load at 100 °C
- Storage Temperature**
 - -55 °C to +125 °C
- Case Temperature**
 - 100 °C max
- Cooling**
 - Convection-cooled
- Lead Temperature**
 - 240 °C, 0.06 in (1.5 mm) from case, 10 s

Notes

1. Operation at no load will not damage unit but it may not meet all specifications.

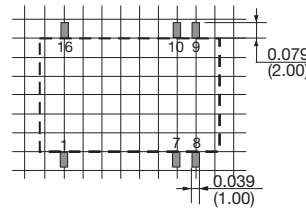
Input Voltage	Output Voltage	Output Current	Efficiency (typ)	Model Number
24 VDC	3.3 V	455 mA	72%	ISL2403A
	5.0 V	300 mA	76%	ISL2405A
	9.0 V	167 mA	78%	ISL2409A
	12.0 V	125 mA	79%	ISL2412A
	15.0 V	100 mA	80%	ISL2415A
	±5.0 V	±150 mA	74%	ISL2405
	±12.0 V	±63 mA	78%	ISL2412
48 VDC	±15.0 V	±50 mA	80%	ISL2415
	5.0 V	300 mA	76%	ISL4805A

Mechanical Details



Recommended footprint

Top view grid: 0.1 x 0.1 in (2.54 x 2.54 mm)



Pin	Single	Dual
1	-Vin	-Vin
7	N.C.	N.C.
8	N.C.	0 V
9	+Vo	+Vo
10	0 V	-Vo
16	+Vin	+Vin

N.C. Not connected

Notes

1. All dimensions in inches (mm)
2. Tolerance: ±0.010 (±0.25)
3. Weight: 0.011 lbs (5.2 g)
4. Pin tolerance: ±0.004 (±0.10 mm)