



Chipsmall Limited consists of a professional team with an average of over 10 year of expertise in the distribution of electronic components. Based in Hongkong, we have already established firm and mutual-benefit business relationships with customers from,Europe,America and south Asia,supplying obsolete and hard-to-find components to meet their specific needs.

With the principle of “Quality Parts,Customers Priority,Honest Operation,and Considerate Service”,our business mainly focus on the distribution of electronic components. Line cards we deal with include Microchip,ALPS,ROHM,Xilinx,Pulse,ON,Everlight and Freescale. Main products comprise IC,Modules,Potentiometer,IC Socket,Relay,Connector.Our parts cover such applications as commercial,industrial, and automotives areas.

We are looking forward to setting up business relationship with you and hope to provide you with the best service and solution. Let us make a better world for our industry!



## Contact us

Tel: +86-755-8981 8866 Fax: +86-755-8427 6832

Email & Skype: info@chipsmall.com Web: www.chipsmall.com

Address: A1208, Overseas Decoration Building, #122 Zhenhua RD., Futian, Shenzhen, China



# Programmable $V_{COM}$ Calibrator with EEPROM

## ISL24201

The ISL24201 provides an 8-bit programmable current sink that is used in conjunction with an external voltage divider and buffer amplifier to generate a voltage source that is positioned between the analog supply voltage and ground. The current sink's resolution is controlled by an external resistor,  $R_{SET}$ , and the span of the  $V_{COM}$  voltage is controlled by the voltage divider resistor ratio and the source impedance of  $R_1$  and  $R_2$ . This device has an 8-bit data register and 8-bit EEPROM for storing a volatile and a permanent value for its output. The ISL24201 has an I<sup>2</sup>C bus interface that is used to read and write to its registers and EEPROM. At power-up the EEPROM value is transferred to the data register and output.

The ISL24201 is available in an 8 Ld 3mm x 3mm TDFN package. This package has a maximum height of 0.8mm for very low profile designs. The ambient operating temperature range is -40°C to +85°C.

## Features

- 8-bit, 256-Step, Adjustable Sink Current Output
- 4.5V to 18V Analog Supply Voltage Operating Range
- 2.25V to 3.6V Logic Supply Voltage Operating Range
- 400kHz, I<sup>2</sup>C Interface
- On-Chip 8-Bit EEPROM
- Output Guaranteed Monotonic Over-Temperature
- Pb-free (RoHS-compliant)

## Applications

- LCD Panel  $V_{COM}$  Generator
- Electrophoretic Display  $V_{COM}$  Generator
- Resistive Sensor Driver
- Low Power Current Loop

## Related Literature

- See AN1621 for ISL24201 Evaluation Board Application Note "ISL24201IRTZ-EVALZ Evaluation Board User Guide"

## Typical Application

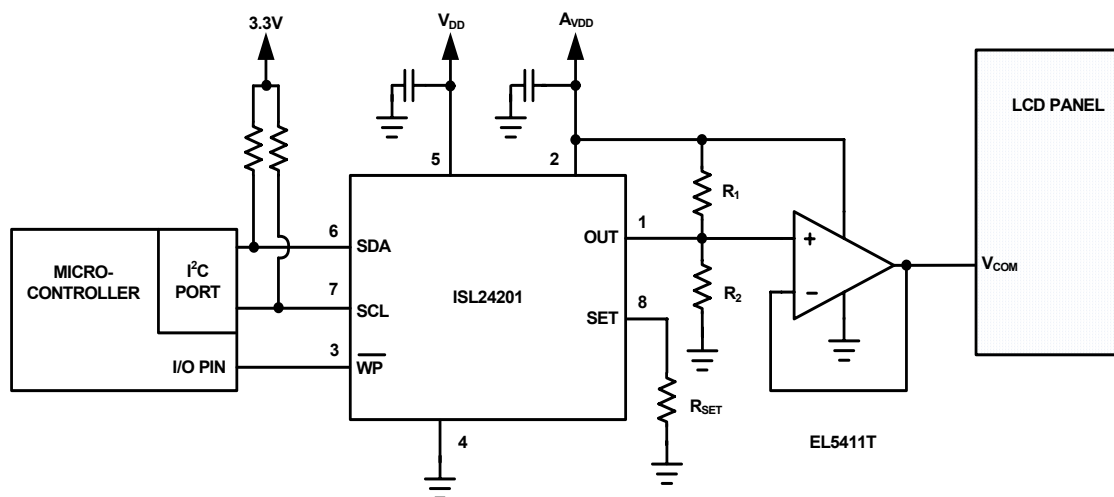


FIGURE 1. APPLICATION SHOWING ISL24201 WITH A BUFFER AMPLIFIER

## Block Diagram

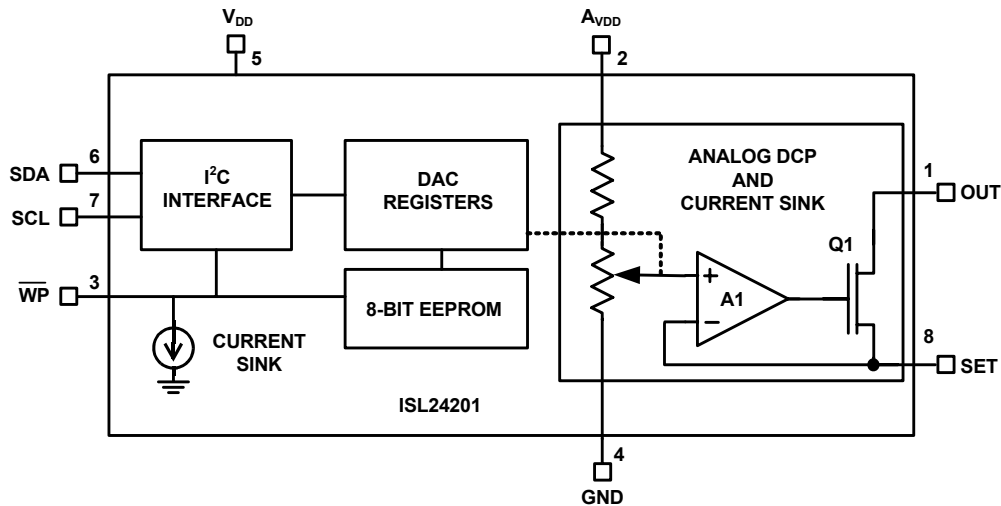
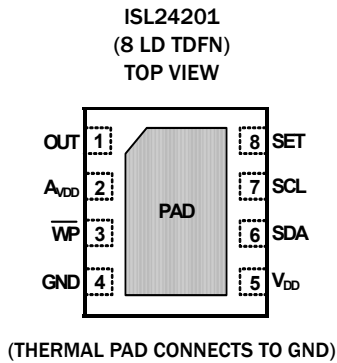


FIGURE 2. BLOCK DIAGRAM OF THE ISL24201

## Pin Configuration



## Pin Descriptions

PIN NAME	PIN NUMBER	FUNCTION
OUT	1	Adjustable Sink Current Output Pin. The current sunk into the OUT pin is equal to the DAC setting times the maximum adjustable sink current divided by 256. See the "SET" pin function description below (pin 8) for the maximum adjustable sink current setting.
AVDD	2	High-Voltage Analog Supply. Bypass to GND with 0.1 $\mu$ F capacitor.
WP	3	EEPROM Write Protect. Active Low. 0 = Programming disabled; 1 = Programming allowed. This pin has an internal pull-down current sink
GND	4	Ground connection.
VDD	5	System power supply input. Bypass to GND with 0.1 $\mu$ F capacitor.
SDA	6	I <sup>2</sup> C Serial Data Input and Output
SCL	7	I <sup>2</sup> C Clock Input
SET	8	Maximum Sink Current Adjustment Point. Connect a resistor from SET to GND to set the maximum adjustable sink current of the OUT pin. The maximum adjustable sink current is equal to (AVDD/20) divided by RSET.
PAD	-	Thermal pad should be connected to system ground plane to optimize thermal performance.

# ISL24201

## Ordering Information

PART NUMBER (Notes 1, 2, 3)	PART MARKING	INTERFACE	TEMP RANGE (°C)	PACKAGE (Pb-Free)	PKG. DWG. #
ISL24201IRTZ	201Z	I <sup>2</sup> C	-40 to +85	8 Ld 3x3 TDFN	L8.3x3A
ISL24201IRTZ-EVALZ	Evaluation Board				

### NOTES:

1. Add "-T\*" suffix for tape and reel. Please refer to [TB347](#) for details on reel specifications.
2. These Intersil Pb-free plastic packaged products employ special Pb-free material sets, molding compounds/die attach materials, and 100% matte tin plate plus anneal (e3 termination finish, which is RoHS compliant and compatible with both SnPb and Pb-free soldering operations). Intersil Pb-free products are MSL classified at Pb-free peak reflow temperatures that meet or exceed the Pb-free requirements of IPC/JEDEC J STD-020.
3. For Moisture Sensitivity Level (MSL), please see device information page [ISL24201](#). For more information on MSL please see techbrief [TB363](#).

# ISL24201

## Absolute Maximum Ratings

Supply Voltage	
$V_{DD}$ to GND	20V
$V_{DD}$ to GND	4V
Input Voltage with respect to Ground	
SET	4V
SCL, SDA and WP	$V_{DD}+0.3V$
Output Voltage with respect to Ground	
OUT	$A_{VDD}$
Continuous Output Current	
OUT	5mA
ESD Ratings	
Human Body Model (Tested per JESD22-A114)	7kV
Machine Model (Tested per JESD22-A115)	250V
Charged Device Model (Tested per JESD22-C101)	1.5kV
Latch Up (Tested per JESD 78, Class II, Level A)	100mA

## Thermal Information

Thermal Resistance (Typical)	$\theta_{JA}$ ( $^{\circ}C/W$ )	$\theta_{JC}$ ( $^{\circ}C/W$ )
8 Ld TDFN Package (Notes 4, 5)	53	11
Moisture Sensitivity (see Technical Brief TB363)		
All Packages	Level 1	
Maximum Die Temperature	+150 $^{\circ}C$	
Storage Temperature	-65 $^{\circ}C$ to +150 $^{\circ}C$	
Pb-free Reflow Profile	see link below	
	<a href="http://www.intersil.com/pbfree/Pb-FreeReflow.asp">http://www.intersil.com/pbfree/Pb-FreeReflow.asp</a>	

## Recommended Operating Conditions

Operating Range	
$A_{VDD}$	4.5V to 19V
$V_{DD}$	2.25V to 3.6V
Ambient Operating Temperature	-40 $^{\circ}C$ to +85 $^{\circ}C$

CAUTION: Do not operate at or near the maximum ratings listed for extended periods of time. Exposure to such conditions may adversely impact product reliability and result in failures not covered by warranty.

### NOTES:

- $\theta_{JA}$  is measured in free air with the component mounted on a high effective thermal conductivity test board with "direct attach" features. See Tech Brief TB379.
- For  $\theta_{JC}$ , the "case temp" location is the center of the exposed metal pad on the package underside.

**Electrical Specifications** Test Conditions:  $V_{DD} = 3.3V$ ,  $A_{VDD} = 18V$ ,  $R_{SET} = 5k\Omega$ ,  $R_1 = 10k\Omega$ ,  $R_2 = 10k\Omega$ , (See Figure 5); unless otherwise specified. Typical values are at  $T_A = +25^{\circ}C$ . **Boldface limits apply over the operating temperature range, -40 $^{\circ}C$  to +85 $^{\circ}C$ .**

SYMBOL	PARAMETER	TEST CONDITIONS	MIN (Note 6)	TYP	MAX (Note 6)	UNITS
<b>DC CHARACTERISTICS</b>						
$V_{DD}$	$V_{DD}$ Supply Range - Operating		<b>2.25</b>		<b>3.6</b>	V
$A_{VDD}$	$A_{VDD}$ Supply Range Supporting EEPROM Programming		<b>10.8</b>		<b>19</b>	V
$A_{VDD}$	$A_{VDD}$ Supply Range for Wide-Supply Operation (not supporting EEPROM Programming)		<b>4.5</b>		<b>19</b>	V
$I_{DD}$	$V_{DD}$ Supply Current	$\overline{WP} = SCL = SDA = V_{DD}$		37	<b>65</b>	$\mu A$
$I_{AVDD}$	$A_{VDD}$ Supply Current	$\overline{WP} = SCL = SDA = V_{DD}$		24	<b>38</b>	$\mu A$
<b>OUT CHARACTERISTICS</b>						
SET <sub>ZSE</sub>	SET Zero-Scale Error				<b><math>\pm 3</math></b>	LSB
SET <sub>FSE</sub>	SET Full-Scale Error				<b><math>\pm 8</math></b>	LSB
$V_{OUT}$	OUT Voltage Range	$I_{OUT} < 0.5mA$	<b><math>V_{SET} + 0.4</math></b>		<b><math>A_{VDD}</math></b>	V
SET <sub>VD</sub>	SET Voltage Drift			7		$\mu V/^{\circ}C$
$I_{OUT}$	Maximum OUT Sink Current			4		mA
INL	Integral Non-Linearity				<b><math>\pm 2</math></b>	LSB
DNL	Differential Non-Linearity				<b><math>\pm 1</math></b>	LSB
<b>I<sup>2</sup>C INPUTS AND OUTPUT</b>						
$I^2CV_{IH}$	SDA, SCL Logic 1 Input Voltage		<b>1.44</b>			V
$I^2CV_{IL}$	SDA, SCL Logic 0 Input Voltage				<b>0.55</b>	V
$I^2C_H$	SDA, SCL Hysteresis			260		mV
$I_L$	Input Leakage Current of SDA, SCL				<b><math>\pm 1</math></b>	$\mu A$
$V_{OLS}$	SDA Output Logic Low	$I = -3mA$			<b>0.4</b>	V
$V_{IH}$	$\overline{WP}$ Input Logic High		<b><math>0.7V_{DD}</math></b>			V
$V_{IL}$	$\overline{WP}$ Input Logic Low				<b><math>0.3V_{DD}</math></b>	V
$V_{WPH}$	$\overline{WP}$ Input Hysteresis			260		mV
$I_{L\overline{WPN}}$	$\overline{WP}$ Input Leakage Current		<b>-0.20</b>	-0.5	<b>-1</b>	$\mu A$

# ISL24201

**Electrical Specifications** Test Conditions:  $V_{DD} = 3.3V$ ,  $A_{VDD} = 18V$ ,  $R_{SET} = 5k\Omega$ ,  $R_1 = 10k\Omega$ ,  $R_2 = 10k\Omega$ , (See Figure 5); unless otherwise specified. Typicals are at  $T_A = +25^\circ C$ . **Boldface limits apply over the operating temperature range,  $-40^\circ C$  to  $+85^\circ C$ .** (Continued)

SYMBOL	PARAMETER	TEST CONDITIONS	MIN (Note 6)	TYP	MAX (Note 6)	UNITS
<b>I<sup>2</sup>C TIMING</b>						
$f_{CLK}$	I <sup>2</sup> C Clock Frequency				<b>400</b>	kHz
$t_{SCH}$	I <sup>2</sup> C Clock High Time		<b>0.6</b>			$\mu s$
$t_{SCL}$	I <sup>2</sup> C Clock Low Time		<b>1.3</b>			$\mu s$
$t_{DSP}$	I <sup>2</sup> C Spike Rejection Filter Pulse Width		<b>0</b>		<b>50</b>	ns
$t_{SDS}$	I <sup>2</sup> C Data Set Up Time		<b>250</b>			ns
$t_{SDH}$	I <sup>2</sup> C Data Hold Time		<b>250</b>			ns
$t_{BUF}$	I <sup>2</sup> C Time Between Stop and Start		<b>200</b>			$\mu s$
$t_{STS}$	I <sup>2</sup> C Repeated Start Condition Set-up		<b>0.6</b>			$\mu s$
$t_{STH}$	I <sup>2</sup> C Repeated Start Condition Hold		<b>0.6</b>			$\mu s$
$t_{SPS}$	I <sup>2</sup> C Stop Condition Set-up		<b>0.6</b>			$\mu s$
$C_{SDA}$	SDA Pin Capacitance				<b>10</b>	pF
$C_S$	SCL Pin Capacitance				<b>10</b>	pF
$t_W$	EEPROM Write Cycle Time				<b>100</b>	ms

NOTE:

6. Compliance to datasheet limits is assured by one or more methods: production test, characterization and/or design.

## Application Information

The ISL24201 provides the ability to adjust the  $V_{COM}$  voltage during production test and alignment, under digital control, to minimize the flicker of an LCD panel. A digitally controlled potentiometer (DCP), with 256 steps of resolution, adjusts the sink current of the OUT pin. Figure 3 shows the  $V_{COM}$  adjustment using a mechanical potentiometer circuit and the equivalent circuit replacement with the ISL24201.

The output is connected to an external voltage divider, as shown in Figure 3, so that the ISL24201 will have the ability to reduce the voltage on the output by increasing the OUT pin sink current. The amount of current sunk is controlled by the I<sup>2</sup>C serial interface.

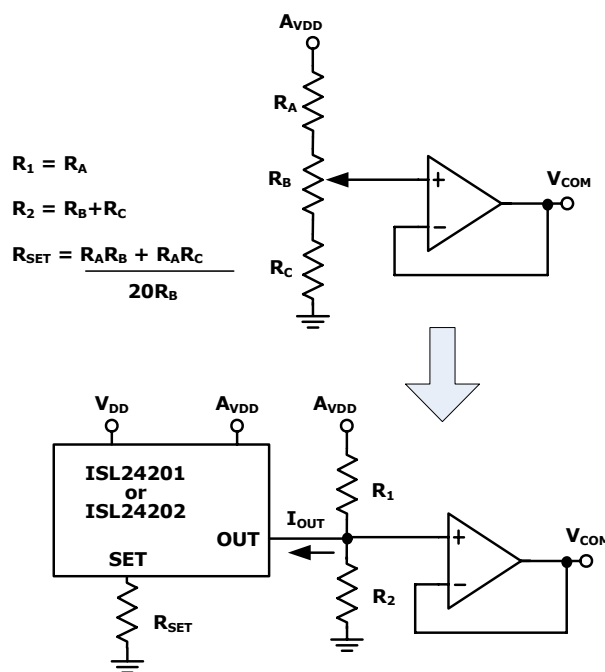


FIGURE 3. MECHANICAL ADJUSTMENT REPLACEMENT

## DCP (Digitally Controlled Potentiometer)

Figure 4 shows the relationship between the register value and the resistor string of the DCP. Note that the register value of zero actually selects the first step of the resistor string. The output voltage of the DCP is given by Equation 1:

$$V_{DCP} = \left( \frac{\text{RegisterValue} + 1}{256} \right) \left( \frac{A_{VDD}}{20} \right) \quad (\text{EQ. 1})$$

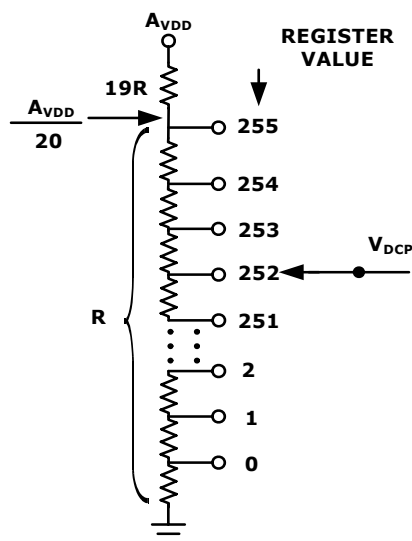


FIGURE 4. SIMPLIFIED SCHEMATIC OF DIGITAL CONTROL POTENTIOMETER (DCP)

## Output Current Sink

Figure 5 shows the schematic of the OUT pin current sink. The circuit made up of amplifier A1, transistor Q1, and resistor R<sub>SET</sub> forms a voltage controlled current source.

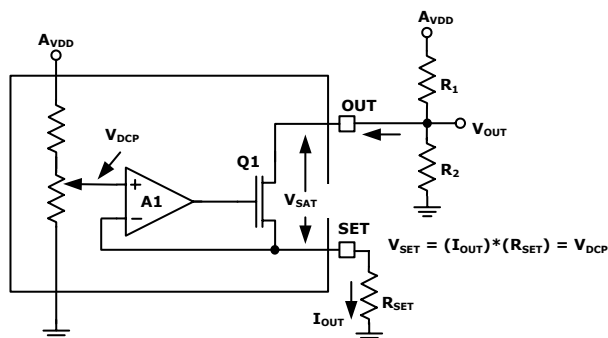


FIGURE 5. CURRENT SINK CIRCUIT

The external R<sub>SET</sub> resistor sets the full-scale sink current that determines the lowest output voltage of the external voltage divider R<sub>1</sub> and R<sub>2</sub>. I<sub>OUT</sub> is calculated as shown by Equation 2:

$$I_{OUT} = \frac{V_{DCP}}{R_{SET}} = \left( \frac{\text{RegisterValue} + 1}{256} \right) \left( \frac{A_{VDD}}{20} \right) \left( \frac{1}{R_{SET}} \right) \quad (\text{EQ. 2})$$

The maximum value of I<sub>OUT</sub> can be calculated by substituting the maximum register value of 255 into Equation 2, resulting in Equation 3:

$$I_{OUT(\text{MAX})} = \frac{A_{VDD}}{20R_{SET}} \quad (\text{EQ. 3})$$

Equation 2 can also be used to calculate the unit sink current step size by removing the Register Value term from it as shown in Equation 4.

$$I_{STEP} = \frac{A_{VDD}}{(256)(20)(R_{SET})} \quad (\text{EQ. 4})$$

The voltage difference between the OUT pin and SET pin, which are also the drain and source of the output transistor, should be greater than the minimum saturation voltage for the I<sub>OUT(MAX)</sub> being used. This will keep the output transistor in its saturation region to maintain linear operation over the full range of register values.

Figure 6 shows I<sub>DS</sub> vs V<sub>DS</sub> for transistor Q1. The line labeled "Minimum Saturation Voltage" is the minimum voltage that should be maintained across the drain and source of Q1. To find the minimum saturation voltage for a specific condition, locate the voltage at the intersection of the I<sub>OUT(MAX)</sub> value from Equation 3 and the line labeled "Minimum Saturation Voltage".

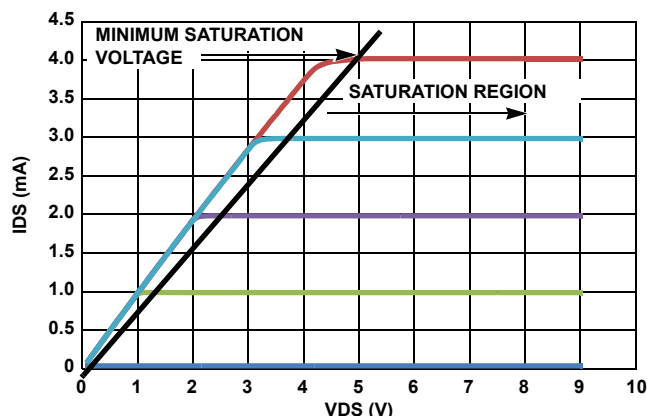


FIGURE 6. I<sub>DS</sub> vs V<sub>DS</sub> FOR THE ISL24201 OUTPUT TRANSISTOR

The maximum voltage on the SET pin is  $A_{VDD}/20$  and is added to the minimum voltage difference between the  $V_{OUT}$  and SET pins to calculate the minimum  $V_{OUT}$  voltage, as shown in Equation 5.

$$V_{OUT(MIN)} \geq \frac{A_{VDD}}{20} + \text{MinimumSaturationVoltage} \quad (\text{EQ. 5})$$

## Output Voltage

The output voltage,  $V_{OUT}$ , of the OUT pin can be calculated from Equation 6:

$$V_{OUT} = A_{VDD} \left( \frac{R_2}{R_1 + R_2} \right) \left( 1 - \frac{\text{RegisterValue} + 1}{256} \left( \frac{R_1}{20R_{SET}} \right) \right) \quad (\text{EQ. 6})$$

While Equation 6 can be used to calculate the output voltage, it does not help select the values of  $R_1$ ,  $R_2$  and  $R_{SET}$  to obtain a specific range of  $V_{COM}$  voltages.

## Output Voltage Span Calculation

The span of the output voltage is typically centered around the nominal  $V_{COM}$  voltage value, which is typically near half of the  $A_{VDD}$  voltage. The high  $V_{COM}$  voltage occurs with the register value of zero, while the low  $V_{COM}$  voltage occurs with the register value of 255. Figure 7 shows the definition of several terms used later in the text.

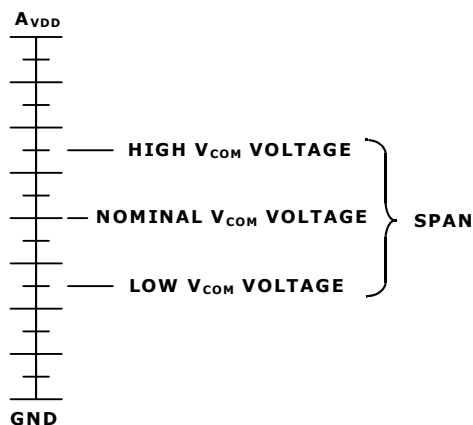


FIGURE 7. VOLTAGE LEVELS FOR  $V_{COM}$

There are three variables that control the  $V_{COM}$  calibrator's operating point; the span of the  $V_{COM}$  voltage, the maximum current sink and the source impedance of the resistive divider.

Figure 8 shows a range of operating points for these three variables and a quick way to estimate a specific operating point. The X-axis is the span of the  $V_{COM}$  voltage (High  $V_{COM}$  Voltage - Low  $V_{COM}$  Voltage), and the Y-axis is the maximum sink current set by  $R_{SET}$ . The individual plots of each  $R_{TH}$  show the  $V_{COM}$  span plotted against the maximum OUT sink current given that value of source impedance of the voltage divider.  $R_{TH}$  is the Thevenin equivalent resistance of the voltage divider  $R_1$  and  $R_2$ , which is the resistance of the parallel combination of  $R_1$  and  $R_2$ , as shown in Equation 7.

$$R_{TH} = \frac{R_1 R_2}{R_1 + R_2} \quad (\text{EQ. 7})$$

The span of the  $V_{COM}$  voltage is shown by Equation 8.

$$V_{COM} \text{SPAN} = I_{SET}(R_{TH}) \quad (\text{EQ. 8})$$

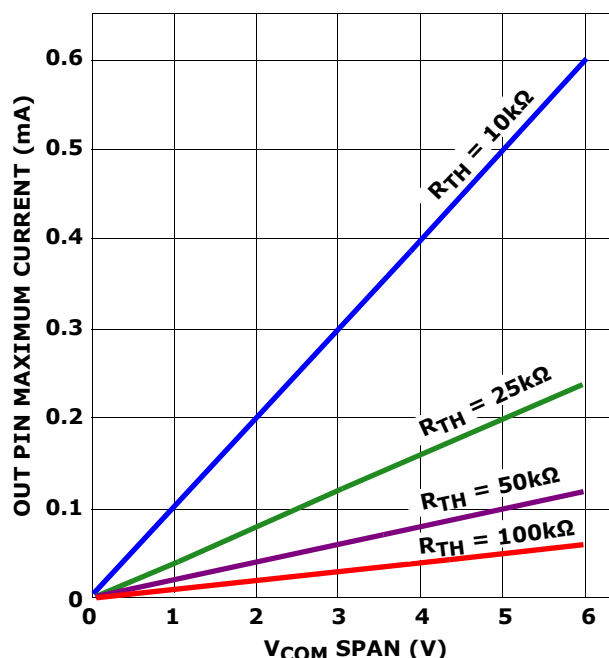


FIGURE 8. GRAPH of  $V_{COM}$  SPAN vs MAXIMUM OUTCURRENT AND  $R_{TH}$

To make a final selection of the resistor values for  $R_1$  and  $R_2$ , The supply voltage  $A_{VDD}$  and the value of  $R_{SET}$  are specified. The calculations for  $R_1$  and  $R_2$  are shown in Equations 9 and 10:

$$R_1 = \frac{40R_{SET}(\text{SPAN})}{A_{VDD} + \text{SPAN}} \quad (\text{EQ. 9})$$

$$R_2 = \frac{40R_{SET}(\text{SPAN})}{A_{VDD} - \text{SPAN}} \quad (\text{EQ. 10})$$

The  $R_1$  and  $R_2$  calculations are based on the span of the  $V_{COM}$  voltage being centered at half the  $A_{VDD}$  voltage.

As an example,  $A_{VDD} = 15V$ , the maximum value for  $I_{SET}$  is selected to be  $100\mu A$  and the required span is 2V. Using Figure 8 as a guide, the  $V_{COM}$  maximum is equal to 8.5V and the  $V_{COM}$  minimum is equal to 6.5V. Rearranging equation and calculation the value of  $R_{SET}$ :

$$R_{SET} = \frac{A_{VDD}}{20I_{OUT(MAX)}} = \frac{15}{20(0.000100)} = 7500\Omega \quad (\text{EQ. 11})$$

Calculating the value of  $R_1$  is shown in Equation 12.

$$R_1 = \frac{40(7500)(2)}{15 + 2} = 39.29k\Omega \quad (\text{EQ. 12})$$

Calculating the value of  $R_2$  is shown in Equation 13.

$$R_2 = \frac{40(7500)(2)}{15 - 2} = 46.15k\Omega \quad (\text{EQ. 13})$$



Table 1 shows the calculated results of the  $V_{COM}$  voltage with these values.

**TABLE 1. EXAMPLE  $V_{OUT}$  vs REGISTER VALUE**

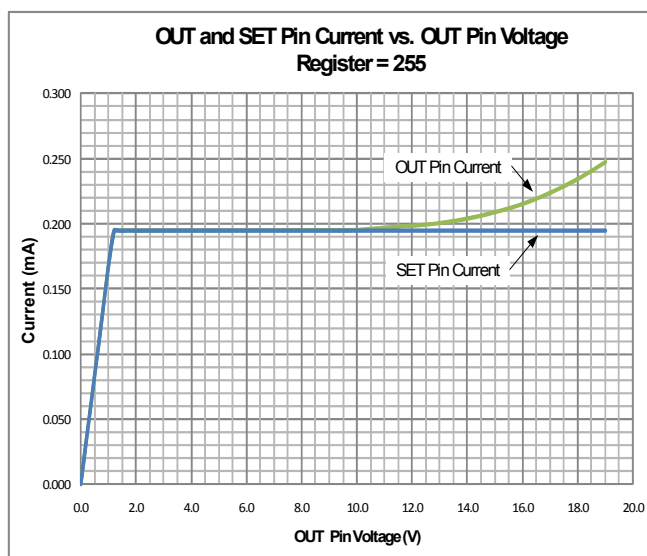
REGISTER VALUE	$V_{OUT}$ (V)
0	8.49
20	8.34
40	8.18
60	8.02
80	7.87
100	7.71
120	7.55
127	7.50
140	7.40
160	7.24
180	7.09
200	6.93
220	6.77
240	6.62
255	6.50

Figure 6 is used to find the minimum saturation voltage for an  $I_{OUT}$  maximum of  $100\mu A$ , which is about 0.3V. The minimum  $V_{OUT}$  is 6.5V, which also meets the minimum  $V_{OUT} - V_{SET}$  requirements specified in Equation 14:

$$V_{OUT\text{MIN}} = 6.5V > \frac{15V}{20} + 0.3V = 1.05V \quad (\text{EQ. 14})$$

## OUT Pin Leakage Current

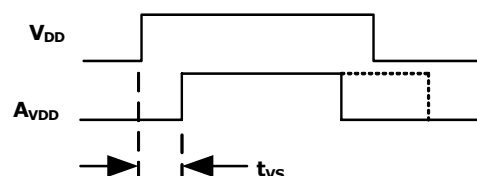
When the voltage on the OUT pin is greater than 10V, there is a leakage current flowing into the pin in addition to the  $I_{SET}$  current. Figure 9 shows the  $I_{SET}$  current and the OUT pin current for OUT pin voltage up to 19V. In applications where the voltage on the OUT pin will be greater than 10V, the actual output voltage will be lower than the voltage calculated by Equation 6. The graph in Figure 9 was measured with  $R_{SET} = 4.99k\Omega$ .



**FIGURE 9. OUT PIN LEAKAGE CURRENT**

## Power Supply Sequence

The recommended power supply sequencing is shown in Figure 10. When applying power,  $V_{DD}$  should be applied before or at the same time as  $A_{VDD}$ . The minimum time for  $t_{VS}$  is  $0\mu s$ . When removing power, the sequence of  $V_{DD}$  and  $A_{VDD}$  is not important.



**FIGURE 10. POWER SUPPLY SEQUENCE**

Do not remove  $V_{DD}$  or  $A_{VDD}$  within 100ms of the start of the EEPROM programming cycle. Removing power before the EEPROM programming cycle is completed may result in corrupted data in the EEPROM.

## Operating and Programming Supply Voltage and Current

To program the EEPROM,  $A_{VDD}$  must be  $\geq 10.8V$ . If programming is not required, the ISL24201 will operate over an  $A_{VDD}$  range of 4.5V to 19V.

During EEPROM programming,  $I_{DD}$  and  $I_{AVDD}$  will temporarily be higher than their quiescent currents. Figure 11 shows a typical  $I_{DD}$  and  $I_{AVDD}$  current profile during EEPROM programming. The current pulses are Erase and Write cycles. The EEPROM programming algorithm is shown in Figure 12. The algorithm allows up to 4 erase cycles and 4 programming cycles, however typical parts only require 1 cycle of each, sometimes 2 when  $A_{VDD}$  is near the minimum 10.8V limit.

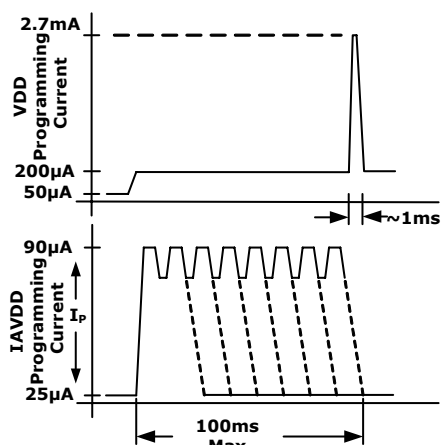


FIGURE 11.  $I_{DD}$  AND  $I_{AVDD}$  CURRENT PROFILE DURING EEPROM PROGRAMMING

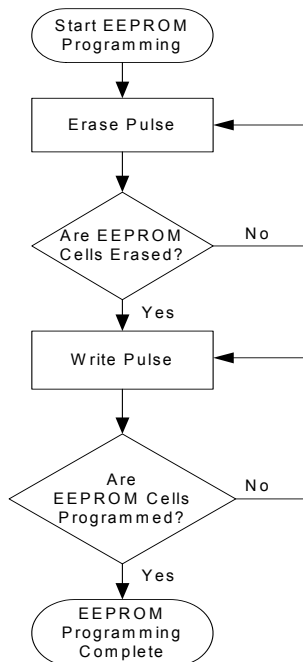


FIGURE 12. EEPROM PROGRAMMING FLOWCHART

## ISL24201 Programming

The ISL24201 accepts I<sup>2</sup>C bus address and data when the  $\overline{WP}$  pin is at or above  $V_{IH}$  ( $>0.7V_{DD}$ ). The ISL24201 ignores the I<sup>2</sup>C bus when the  $\overline{WP}$  pin is at or below  $V_{IL}$  ( $<0.3V_{DD}$ ). Figure 13 shows the serial data format for writing the register and programming the EEPROM. Figure 14 shows the serial data format for reading the DAC register. Table 2 shows the truth table for reading and writing the device.

TABLE 2. ISL24201 READ AND WRITE CONTROL

$\overline{WP}$ PIN	I <sup>2</sup> C BITS		FUNCTION
	R/W	PROGRAM	
0	1	X	Read Register.
0	0	1	Will acknowledge I <sup>2</sup> C transactions. Will not write to register
0	0	0	Will acknowledge I <sup>2</sup> C transactions. Will not write to EEPROM.
1	1	X	Read DAC Register
1	0	1	Write DAC Register
1	0	0	Program EEPROM

Programming the EEPROM memory transfers the current DAC register value to the EEPROM and occurs when the control bits select the programming mode and the  $A_{VDD}$  voltage is  $>10.8V$ . After the EEPROM programming cycle is started, the  $\overline{WP}$  pin can be returned to logic low while the while it completes, which takes a maximum of 100ms.

The ISL24201 uses a 6 bit I<sup>2</sup>C address, which is "100111xx". The complete read and write protocol is shown in Figures 13 and 14.

## I<sup>2</sup>C Bus Signals

The ISL24201 uses fixed voltages for its I<sup>2</sup>C thresholds, rather than the percentage of  $V_{DD}$  described in the I<sup>2</sup>C specification (see Table 3). This should not cause a problem in most systems, but the I<sup>2</sup>C logic levels in a specific design should be checked to ensure they are compatible with the ISL24201.

TABLE 3. ISL24201 I<sup>2</sup>C BUS LOGIC LEVELS

SYMBOL	ISL24201	I <sup>2</sup> C STANDARD
I <sup>2</sup> CV <sub>IL</sub>	0.55V	0.3*V <sub>DD</sub>
I <sup>2</sup> CV <sub>IH</sub>	1.44V	0.7*V <sub>DD</sub>

## I<sup>2</sup>C Read and Write Format

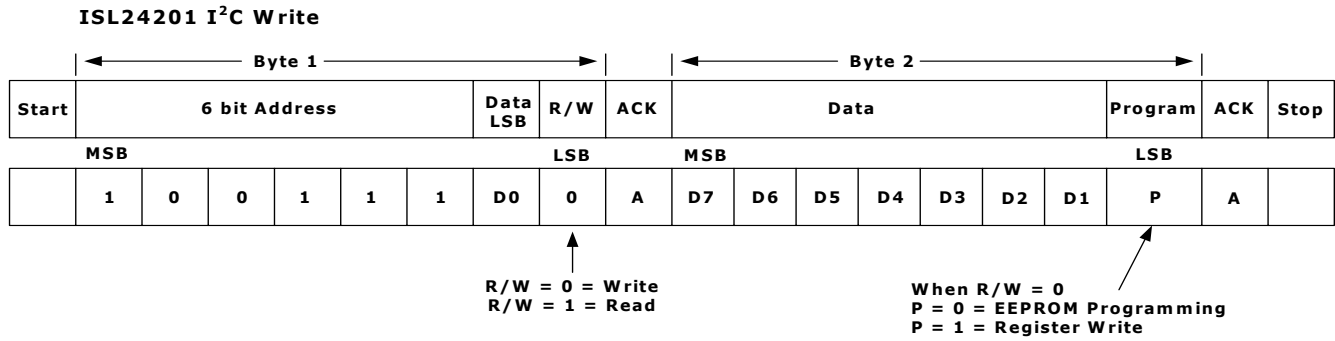


FIGURE 13. I<sup>2</sup>C WRITE FORMAT

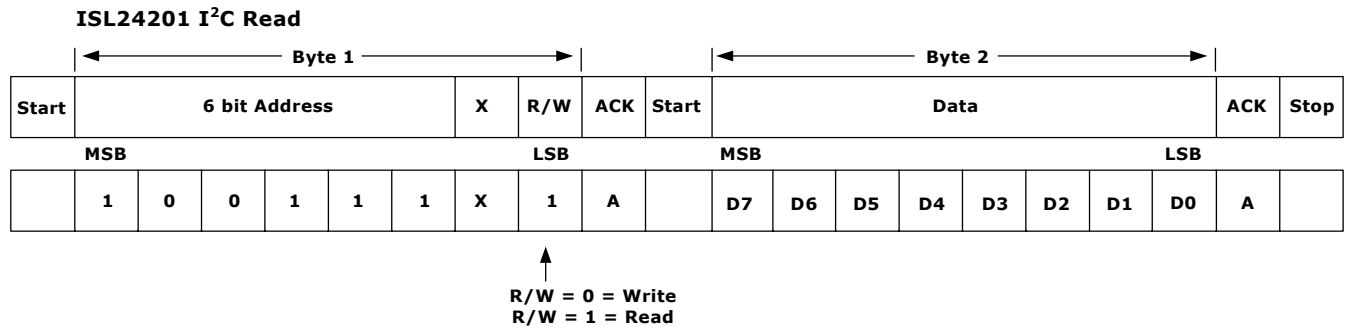


FIGURE 14. I<sup>2</sup>C READ FORMAT

# ISL24201

## Revision History

The revision history provided is for informational purposes only and is believed to be accurate, but not warranted. Please go to web to make sure you have the latest revision.

DATE	REVISION	CHANGE
12/9/10	FN7586.1	On page 5, corrected MIN spec for "tBUF" from 125 $\mu$ s to 200 $\mu$ s.
12/1/10	FN7586.0	Initial Release.

## Products

Intersil Corporation is a leader in the design and manufacture of high-performance analog semiconductors. The Company's products address some of the industry's fastest growing markets, such as, flat panel displays, cell phones, handheld products, and notebooks. Intersil's product families address power management and analog signal processing functions. Go to [www.intersil.com/products](http://www.intersil.com/products) for a complete list of Intersil product families.

\*For a complete listing of Applications, Related Documentation and Related Parts, please see the respective device information page on intersil.com: [ISL24201](http://www.intersil.com/ISL24201)

To report errors or suggestions for this datasheet, please go to [www.intersil.com/askourstaff](http://www.intersil.com/askourstaff)

FITs are available from our website at <http://rel.intersil.com/reports/sear>

For additional products, see [www.intersil.com/product\\_tree](http://www.intersil.com/product_tree)

Intersil products are manufactured, assembled and tested utilizing ISO9000 quality systems as noted in the quality certifications found at [www.intersil.com/design/quality](http://www.intersil.com/design/quality)

*Intersil products are sold by description only. Intersil Corporation reserves the right to make changes in circuit design, software and/or specifications at any time without notice. Accordingly, the reader is cautioned to verify that data sheets are current before placing orders. Information furnished by Intersil is believed to be accurate and reliable. However, no responsibility is assumed by Intersil or its subsidiaries for its use; nor for any infringements of patents or other rights of third parties which may result from its use. No license is granted by implication or otherwise under any patent or patent rights of Intersil or its subsidiaries.*

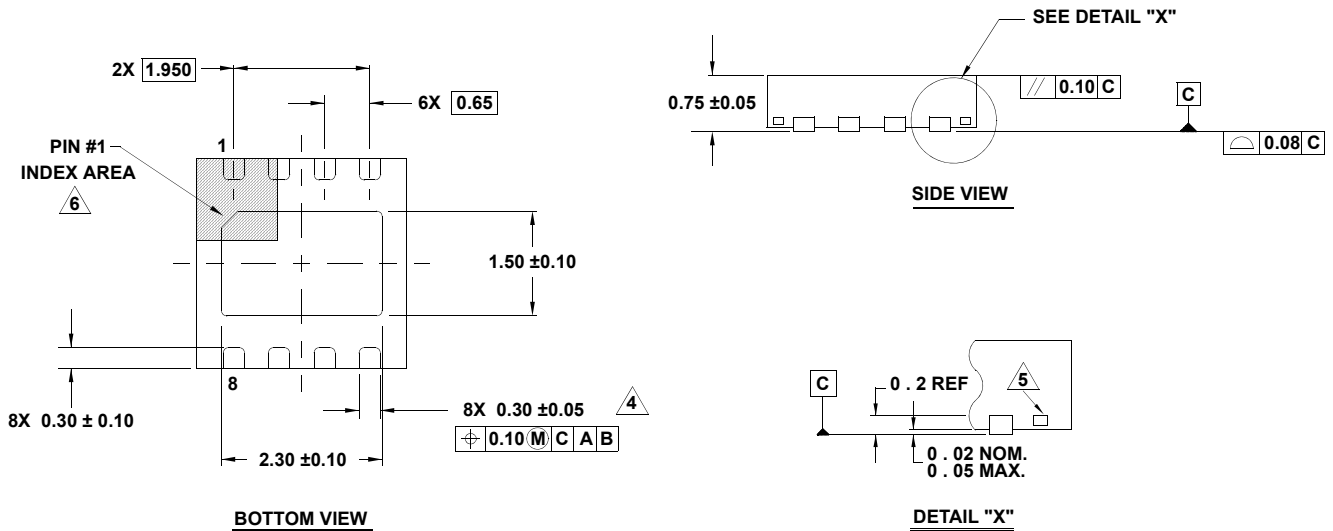
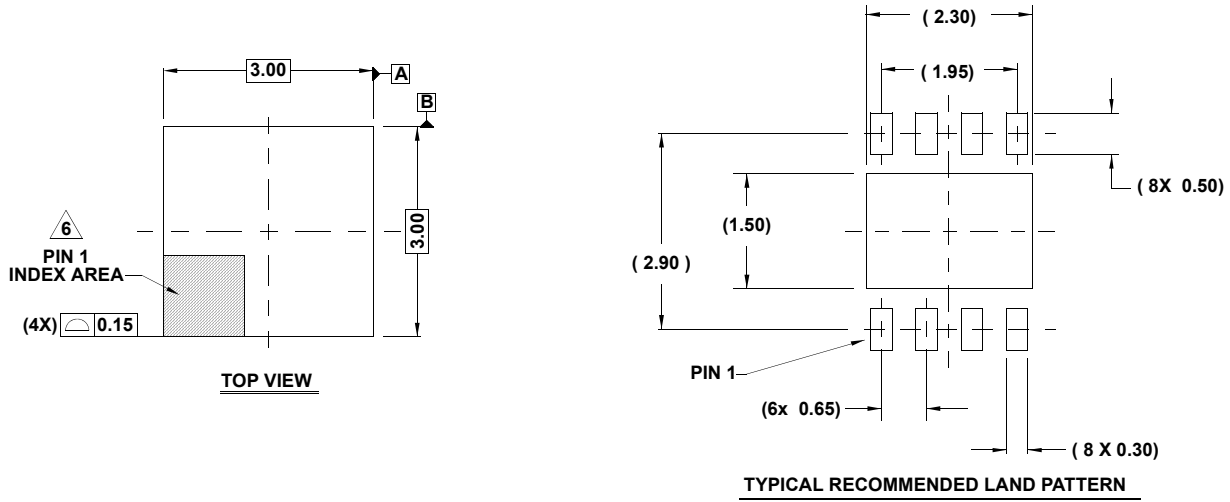
For information regarding Intersil Corporation and its products, see [www.intersil.com](http://www.intersil.com)

## Package Outline Drawing

### L8.3x3A

8 LEAD THIN DUAL FLAT NO-LEAD PLASTIC PACKAGE

Rev 4, 2/10



#### NOTES:

1. Dimensions are in millimeters.  
Dimensions in ( ) for Reference Only.
2. Dimensioning and tolerancing conform to ASME Y14.5m-1994.
3. Unless otherwise specified, tolerance : Decimal ± 0.05
4. Dimension applies to the metallized terminal and is measured between 0.15mm and 0.20mm from the terminal tip.
5. Tiebar shown (if present) is a non-functional feature.
6. The configuration of the pin #1 identifier is optional, but must be located within the zone indicated. The pin #1 identifier may be either a mold or mark feature.
7. Compliant to JEDEC MO-229 WEEC-2 except for the foot length.