



Chipsmall Limited consists of a professional team with an average of over 10 year of expertise in the distribution of electronic components. Based in Hongkong, we have already established firm and mutual-benefit business relationships with customers from,Europe,America and south Asia,supplying obsolete and hard-to-find components to meet their specific needs.

With the principle of “Quality Parts,Customers Priority,Honest Operation,and Considerate Service”,our business mainly focus on the distribution of electronic components. Line cards we deal with include Microchip,ALPS,ROHM,Xilinx,Pulse,ON,Everlight and Freescale. Main products comprise IC,Modules,Potentiometer,IC Socket,Relay,Connector.Our parts cover such applications as commercial,industrial, and automotives areas.

We are looking forward to setting up business relationship with you and hope to provide you with the best service and solution. Let us make a better world for our industry!



Contact us

Tel: +86-755-8981 8866 Fax: +86-755-8427 6832

Email & Skype: info@chipsmall.com Web: www.chipsmall.com

Address: A1208, Overseas Decoration Building, #122 Zhenhua RD., Futian, Shenzhen, China



Introduction

The ISL284xxEVAL1Z evaluation board is a design platform containing all the circuitry needed to characterize critical performance parameters of the ISL28470 quad instrumentation amplifier using a variety of user defined test circuits.

The ISL284xx are quad operational amplifiers featuring low noise, low distortion, and rail-to-rail output drive capability. They are designed to operate with single and dual supplies from +5VDC (± 2.5 VDC) down to +2.4VDC (± 1.2 VDC).

Reference Documents

- ISL28476 Data Sheet, FN6301
- ISL28478 Data Sheet, FN6339
- ISL28486 Data Sheet, FN6312
- ISL28488 Data Sheet, FN6339

Evaluation Board Key Features

The ISL284xxEVAL1Z is designed to enable the IC to operate from a single supply (+2.4VDC to +5VDC), or from split supplies (± 1.2 VDC to ± 2.5 V). The board is configured for 4 independent op amps connected for differential input with a closed loop gain of 10. A single external reference voltage (VREF) pin and provisions for a user-selectable voltage divider (filter is included).

Power Supplies (Figure 1)

External power connections are made through the V_+ , V_- , and GND connections on the evaluation board. For single

supply operation, the V_- and GND pins are tied together to the power supply negative terminal. For split supplies $+V$ and V_- terminals connect to their respective power supply terminals. De-coupling capacitors C_1 and C_2 , connect to GND through R_1 and R_2 , 0Ω resistors. Resistors R_3 and R_4 are 0Ω but can be changed by the user to provide additional power supply filtering, or to reduce the voltage rate-of-rise to less than ± 1 V/ μ s. Anti-reverse diodes D_1 and D_2 protect the circuit in the case of accidental polarity reversal.

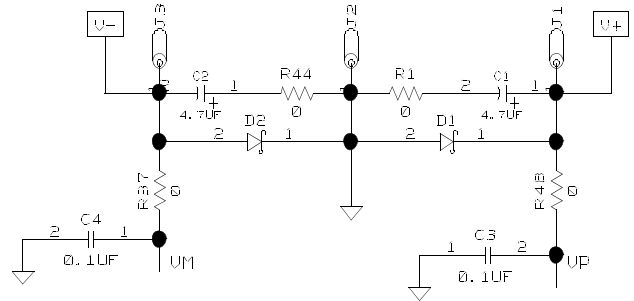


FIGURE 1. POWER SUPPLY CIRCUIT

Amplifier Configuration (Figure 2)

The schematic of each of the 4 op amps with the components supplied is shown in Figure 2. The circuit implements a differential input-amp with a closed loop gain of 10. The circuit can operate from a single 2.4VDC to +5VDC supply, or from dual supplies from ± 1.2 VDC to ± 2.5 VDC. The VREF pin can be connected to ground to establish a ground referenced input for split supply operation, or can be externally set to any reference level for single supply operation.

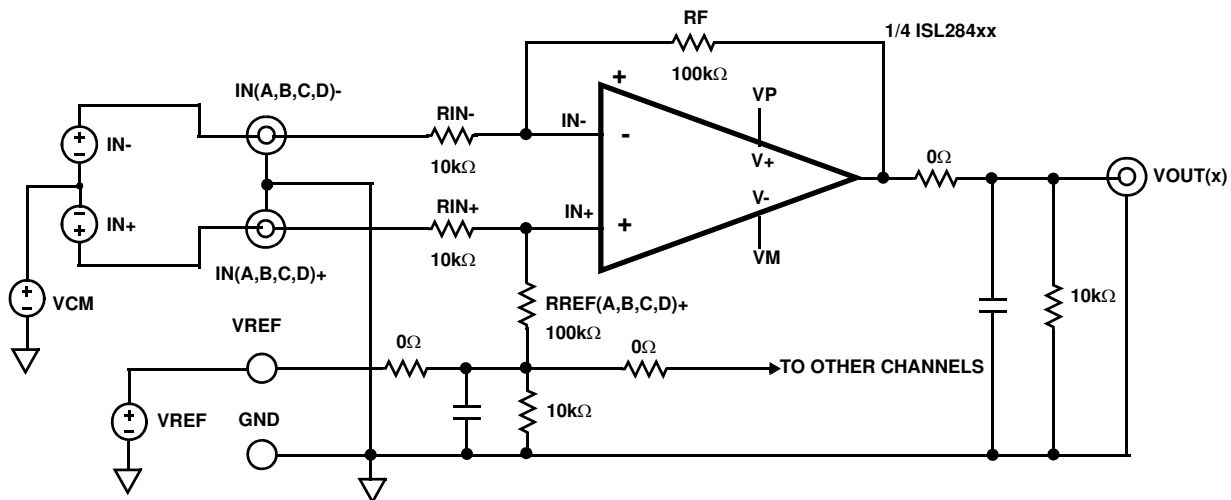


FIGURE 2. BASIC AMPLIFIER CONFIGURATION

User-selectable Options (Figure 3)

Component pads are included to enable a variety of user-selectable circuits to be added to the amplifier inputs, the VREF input, and the amplifier feedback loops. A voltage divider and filter option can be added to establish a power supply-tracking common mode reference at the VREF input. The inverting and non-inverting inputs have additional resistor placements for adding input attenuation, or to establish input DC offsets through the VREF pin.

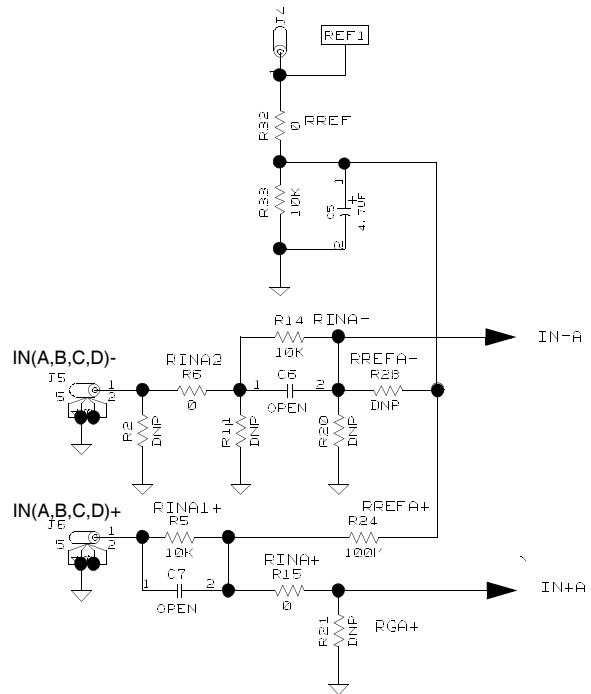
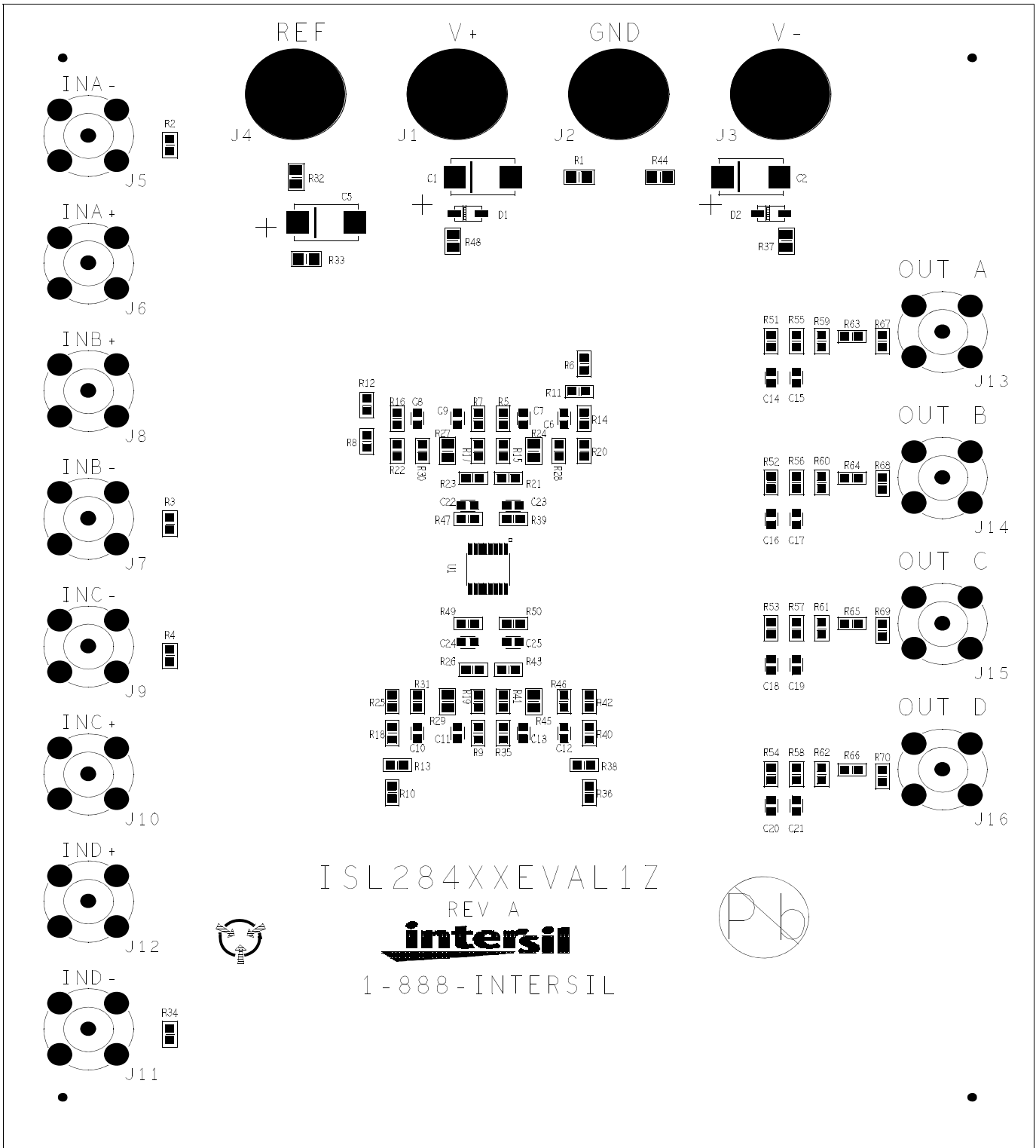


FIGURE 3. COMPONENT-SELECTABLE OPTIONS

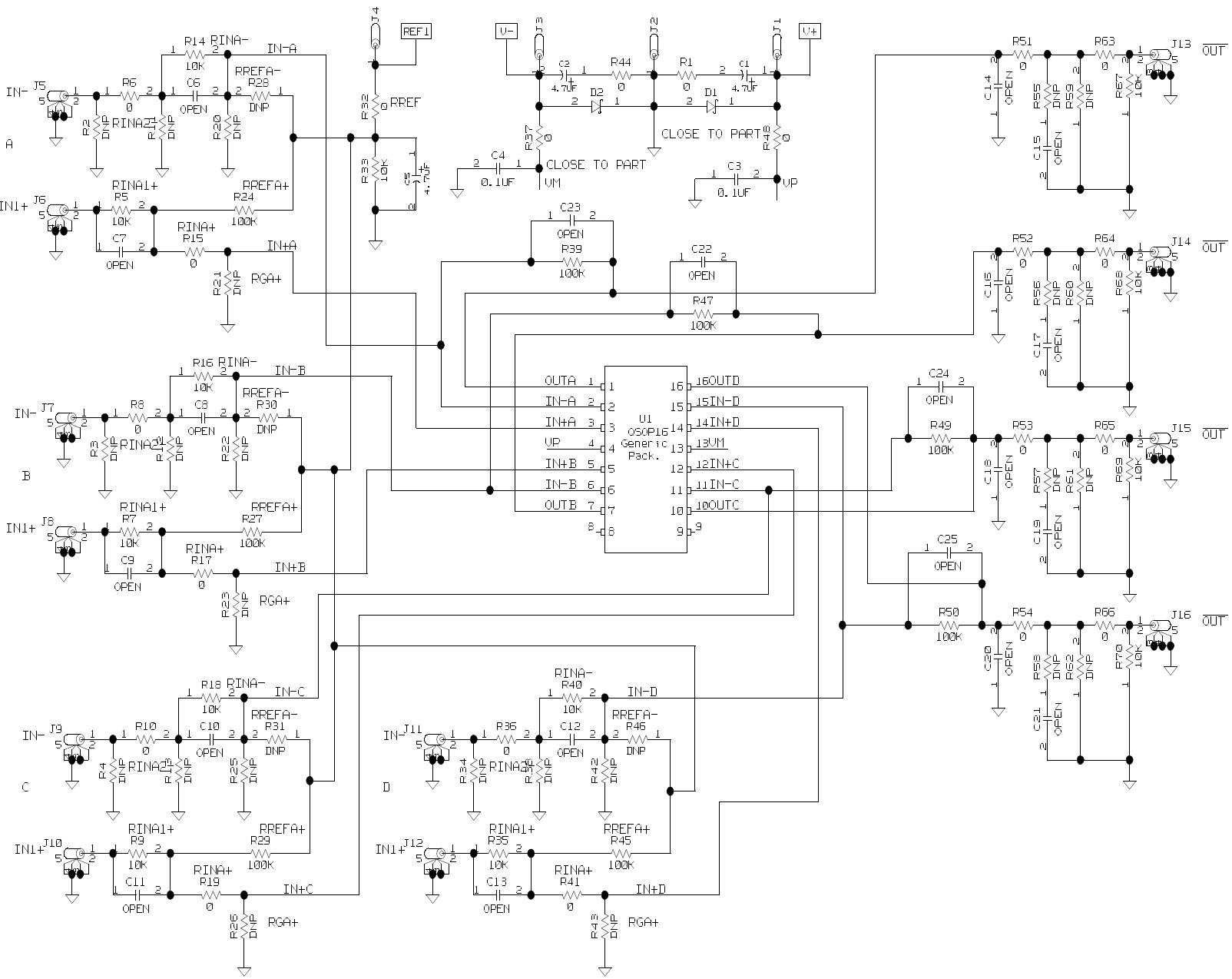
ISL284xxEVAL1Z Components Parts List

DEVICE NUMBER	DESCRIPTION	COMMENTS
C1, C2, C5	CAP-TANTALUM, SMD, D, 4.7μF, 50V, 10% LOW ESR, ROHS	Power Supply Decoupling
C3, C4	CAP, SMD, 0603, 0.1μF, 25V, 10%, X7R, ROHS	Power Supply Decoupling
C6-C25	CAP, SMD, 0603, DNP-PLACE HOLDER, ROHS	User selectable capacitors - not populated
D1, D2	DIODE-RECTIFIER, SMD, SOD-123, 2P, 40V, 0.5A, ROHS	Reverse Power Protection
U1 (ISL28476EVAL1Z)	ISL28476FAZ, IC-RAIL-TO-RAIL PRECISION OP AMP, 16P, QSOP, ROHS	
U1 (ISL28478EVAL1Z)	ISL28478FAZ, IC-RAIL-TO-RAIL PRECISION OP AMP, 16P, QSOP, ROHS	
U1 (ISL28486EVAL1Z)	ISL28486FAZ, IC-RAIL-TO-RAIL PRECISION OP AMP, 16P, QSOP, ROHS	
U1 (ISL28488EVAL1Z)	ISL28488FAZ, IC-RAIL-TO-RAIL PRECISION OP AMP, 16P, QSOP, ROHS	
R2-R4, R11-R13, R20-R23, R25, R26, R28, R30, R31, R34, R38, R42, R43, R46, R55-R58, R59-R62	RESISTOR, SMD, 0603, 0.1%, MF, DNP-PLACE HOLDER	User selectable resistors - not populated
R6, R8, R10, R15, R17, R19, R36, R41, R51-R54, R63-R66	RES, SMD, 0603, 0Ω, 1/16W,TF, ROHS	0Ω user selectable resistors
R5, R7, R9, R14, R16, R18, R33, R35, R40, R67-R70	RES, SMD, 0603, 10k, 1/10W, 1%, TF, ROHS	RG gain resistors
R24, R27, R29, R39, R45, R47, R49, R50	RES, SMD, 0603, 100k, 1/10W, 1%, TF, ROHS	RF gain resistors
R1, R32, R37, R44, R48	RES, SMD, 0805, 0Ω, 1/8W, TF, ROHS	0Ω user selectable resistors

ISL28xxEVAL1Z Top View



ISL284XXEVAL1Z Schematic Diagram



Intersil Corporation reserves the right to make changes in circuit design, software and/or specifications at any time without notice. Accordingly, the reader is cautioned to verify that the Application Note or Technical Brief is current before proceeding.

For information regarding Intersil Corporation and its products, see www.intersil.com