



Chipsmall Limited consists of a professional team with an average of over 10 year of expertise in the distribution of electronic components. Based in Hongkong, we have already established firm and mutual-benefit business relationships with customers from,Europe,America and south Asia,supplying obsolete and hard-to-find components to meet their specific needs.

With the principle of “Quality Parts,Customers Priority,Honest Operation,and Considerate Service”,our business mainly focus on the distribution of electronic components. Line cards we deal with include Microchip,ALPS,ROHM,Xilinx,Pulse,ON,Everlight and Freescale. Main products comprise IC,Modules,Potentiometer,IC Socket,Relay,Connector.Our parts cover such applications as commercial,industrial, and automotives areas.

We are looking forward to setting up business relationship with you and hope to provide you with the best service and solution. Let us make a better world for our industry!



Contact us

Tel: +86-755-8981 8866 Fax: +86-755-8427 6832

Email & Skype: info@chipsmall.com Web: www.chipsmall.com

Address: A1208, Overseas Decoration Building, #122 Zhenhua RD., Futian, Shenzhen, China



COMBO-DUAL-BAND IoT MODULE

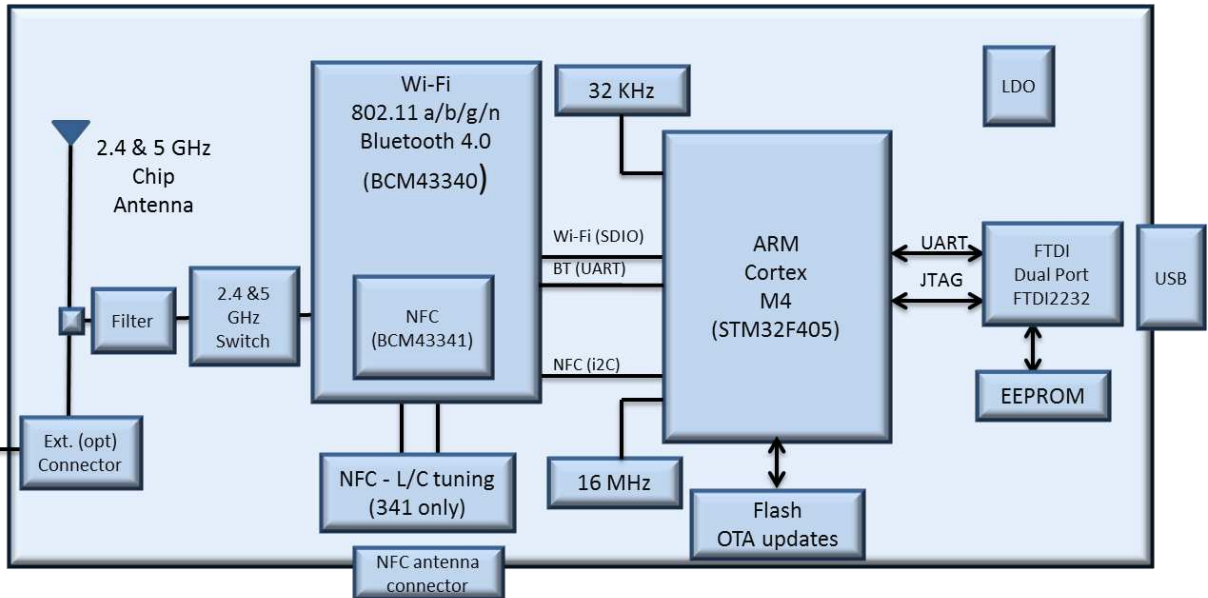
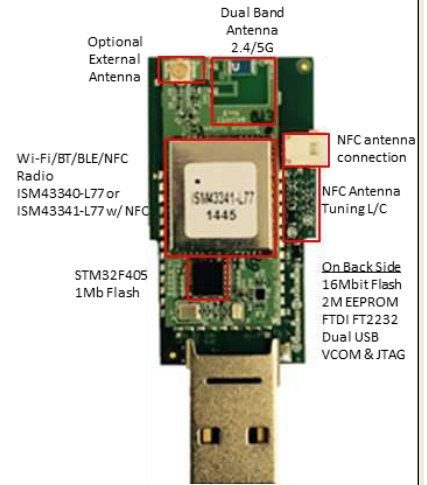
Dual-Band Wi-Fi with Bluetooth Smart Bridge with NFC

The Inventek ISM341-USB is an embedded wireless Internet Connectivity device that operate in the 2.4 & 5 GHz spectrum. The Wi-Fi modules hardware consists of a ARM Cortex M4 host processor, Broadcom BCM43341 Dual-Band (2.4 GHz / 5 GHz) 802.11 g/n MAC/Baseband/Radio with Integrated Bluetooth 4.0, and NFC. Also, the device has two antenna options, a dual band chip antenna or an U.FI connector for external antenna.

The module provides a USB VCOM port and JTAG port interfaces enabling easy connection to an embedded design.

Main Features

- ◆ 802.11 a, b, g , n compliant based on Broadcom MAC/Baseband/Radio device
- ◆ Bluetooth 4.0 & NFC
- ◆ Fully contained TCP/IP stack minimizing host CPU requirements
- ◆ Configurable though simple AT commands
- ◆ IEEE 802.11 a/b/g/n complaint
- ◆ Soft Access Point for up to 4 clients for configuration and ad-hoc networks
- ◆ Host interfaces: USB (HID/VCP/ JTAG)
- ◆ Network features
 ICMP (Ping),
 ARP,
 DHCP,TCP,
 UDP
- ◆ Secure Wi-Fi authentication WEP-128, WPA-PSK (TKIP), WPA2-PSK



Device	Description	Firmware	Ordering Number
ISM340-USB	USB Wi-Fi / BLE dongle, with ISM43341-M4G-L44 or ISM43340-M4G-L44	USB	ISM340 -USB
			ISM341-USB (Includes NFC)