



Chipsmall Limited consists of a professional team with an average of over 10 year of expertise in the distribution of electronic components. Based in Hongkong, we have already established firm and mutual-benefit business relationships with customers from,Europe,America and south Asia,supplying obsolete and hard-to-find components to meet their specific needs.

With the principle of "Quality Parts,Customers Priority,Honest Operation,and Considerate Service",our business mainly focus on the distribution of electronic components. Line cards we deal with include Microchip,ALPS,ROHM,Xilinx,Pulse,ON,Everlight and Freescale. Main products comprise IC,Modules,Potentiometer,IC Socket,Relay,Connector.Our parts cover such applications as commercial,industrial, and automotives areas.

We are looking forward to setting up business relationship with you and hope to provide you with the best service and solution. Let us make a better world for our industry!



Contact us

Tel: +86-755-8981 8866 Fax: +86-755-8427 6832

Email & Skype: info@chipsmall.com Web: www.chipsmall.com

Address: A1208, Overseas Decoration Building, #122 Zhenhua RD., Futian, Shenzhen, China



Wi-Fi 802.11b/g/n Wireless Networking Module

Dual Band WiFi... Bluetooth... NFC... Small Footprint

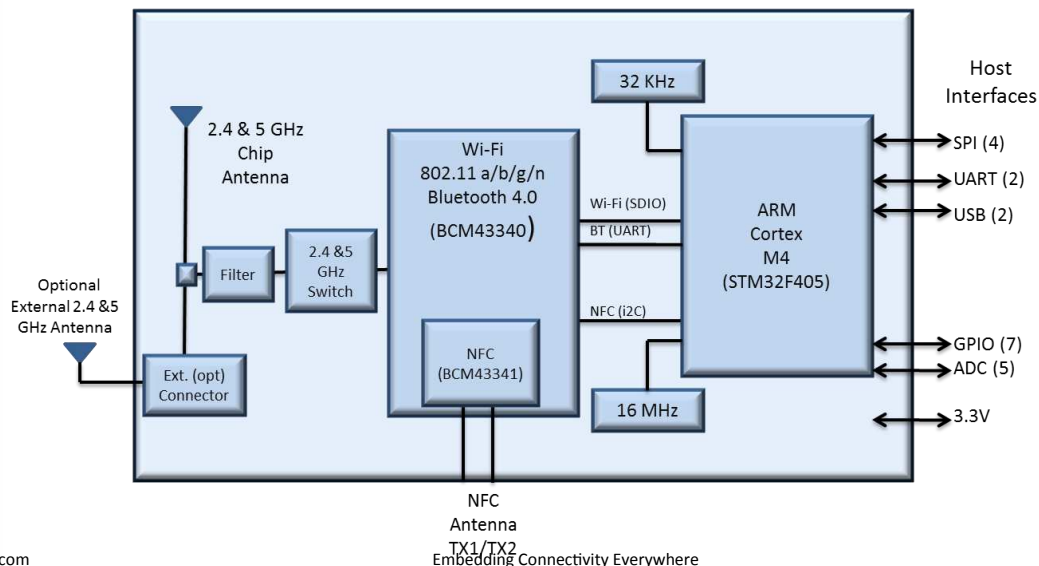
The Inventek ISM43341-M4G-L44 is an embedded wireless Internet Connectivity device that operate in the 2.4 & 5 GHz spectrum. The Wi-Fi module hardware consists of a ARM Cortex M4 host processor, Broadcom BCM43341 Dual-Band (2.4 GHz / 5 GHz) 802.11 g/n MAC/Baseband/Radio with Integrated Bluetooth 4.0, and NFC. Also, the device has two antenna options, a dual band chip antenna or an U.FI connector for external antenna.

The module provides USB, SPI and UART interfaces enabling easy connection to an embedded design. The Wi-Fi module requires no operating system and has a complete integrated TCP/IP Stack that only requires a simple AT command set to establish connectivity for your wireless product, minimizing development time and testing . The simple AT command, the low-cost, the small foot-print design (14.70 x 34.22 mm), and the ease of design-in make it ideal for a wide range of embedded wireless applications.



Main Features

- ◆ 802.11 a, b, g ,n compliant based on Broadcom MAC/Baseband/Radio device
- ◆ Bluetooth 4.0 & NFC
- ◆ Fully contained TCP/IP stack minimizing host CPU requirements
- ◆ Configurable though simple AT commands
- ◆ FCC and Ce certified in process
- ◆ IEEE 802.11 b/g/n complaint
- ◆ Soft Access Point for up to 4 clients for configuration and ad-hoc networks
- ◆ Host interfaces: USB (HID/VCP),UART, SPI up to 25 MHz.
- ◆ Network features ICMP (Ping), ARP, DHCP,TCP, UDP
- ◆ Low power operation (3.3V supply) built in low power modes



Application Examples

- ◆ PDA, Pocket PC, computing devices
- ◆ Building automation and smart energy control
- ◆ Industrial sensing and remote equipment monitoring
- ◆ Warehousing, logistics and freight management
- ◆ PC and gaming peripherals
- ◆ Printers, scanners, alarm and video systems



NETWORK STANDARD	IEEE 802.11b/g/n
RF FREQUENCY	2.400 GHz ~ 2.497 GHz
DATA RATES	802.11n: 6.5, 13, 19.5, 26, 39, 52, 58.5, 65 Mbps 802.11g: 6, 9, 12, 18, 24, 36, 48, 54 Mbps 802.11b: 1, 2, 5.5, 11 Mbps
MODULATION TECHNIQUES	802.11g/n: 64-QAM, 16-QAM, QPSK, BPSK 802.11b: CCK, DQPSK, DBPSK
WIRELESS SECURITY	WEP (64/128-bit), WPA™ (PSK, TKIP) / WPA2™ (AES, CCMP, 802.1x Authentication)
HOST INTERFACES	SPI, UART, USB (HID And VCP)
NETWORK PROTOCOLS	TCP, UDP, IPv4, ARP, ICMP, DHCP Client
WLAN FUNCTIONS	Power save modes, automatic roaming, auto-rate Ad-hoc and Infrastructure modes
CONFIGURATION	AT commands 3.1.2 or WICED SDK 3.1.2 or later
SUPPLY VOLTAGE	3.3V ± 5%
PACKAGE	44-pin LGA, 14.70 mm x 34.22 mm
OPERATING TEMPERATURE	-35°C to +80°C
CERTIFICATIONS	FCC and CE

Device	Description	Firmware	Ordering Number
ISM43340-M4G-L44	Wi-Fi 2.4 & 5 GHz 802.11 & Bluetooth 4.0 Module, TCP Stack on STM32F405 (1 Meg Flash) and On board Chip antenna	UART or SPI	ISM43340-M4G-L44-C
ISM43340-M4G-L44	Wi-Fi 2.4 & 5 GHz 802.11 & Bluetooth 4.0, TCP Stack on STM32F405 (1 Meg Flash) and external connector for antenna, FCC certified	UART or SPI	ISM43340-M4G-L44-U
ISM43341-M4G-L44	Wi-Fi 2.4 & 5 GHz 802.11, Bluetooth 4.0 and NFC, TCP Stack on STM32F405 (1 Meg Flash) and On board Chip antenna	UART or SPI	ISM43341-M4G-L44-C
ISM43341-M4G-L44	Wi-Fi 2.4 & 5 GHz 802.11, Bluetooth 4.0 and NFC, TCP Stack on STM32F405 (1 Meg Flash) and external connector for antenna, FCC certified	UART or SPI	ISM43341-M4G-L44-U
ISM43340-M4G-EVB	Evaluation Board, USB cable, with ISM43340-M4G-L44, Quick Start Guide	UART	ISM43340-M4G-EVB
ISM43341-M4G-EVB	Evaluation Board with NFC, USB cable, with ISM43341-M4G-L44, Quick Start Guide	UART	ISM43341-M4G-EVB
ISM340-USB	USB Wi-Fi / BLE dongle, with ISM43341-M4G-L44 or ISM43340-M4G-L44	USB	ISM340-USB ISM341-USB (Includes NFC)

Contact
 Inventek Systems
 2 Republic Road
 Billerica Ma 01862
 www.Inventeksys.com 978-667-1962

E-mail
 Sales@Inventeksys.com
 Engineering@Inventeksys.com
 www.Inventeksys.com
 Embedding Connectivity Everywhere