



Chipsmall Limited consists of a professional team with an average of over 10 year of expertise in the distribution of electronic components. Based in Hongkong, we have already established firm and mutual-benefit business relationships with customers from,Europe,America and south Asia,supplying obsolete and hard-to-find components to meet their specific needs.

With the principle of “Quality Parts,Customers Priority,Honest Operation,and Considerate Service”,our business mainly focus on the distribution of electronic components. Line cards we deal with include Microchip,ALPS,ROHM,Xilinx,Pulse,ON,Everlight and Freescale. Main products comprise IC,Modules,Potentiometer,IC Socket,Relay,Connector.Our parts cover such applications as commercial,industrial, and automotives areas.

We are looking forward to setting up business relationship with you and hope to provide you with the best service and solution. Let us make a better world for our industry!



Contact us

Tel: +86-755-8981 8866 Fax: +86-755-8427 6832

Email & Skype: info@chipsmall.com Web: www.chipsmall.com

Address: A1208, Overseas Decoration Building, #122 Zhenhua RD., Futian, Shenzhen, China



ISM43362-L36 Wi-Fi 802.11b/g/n Module

SDIO Interface...Linux...Android...Virtual WICED

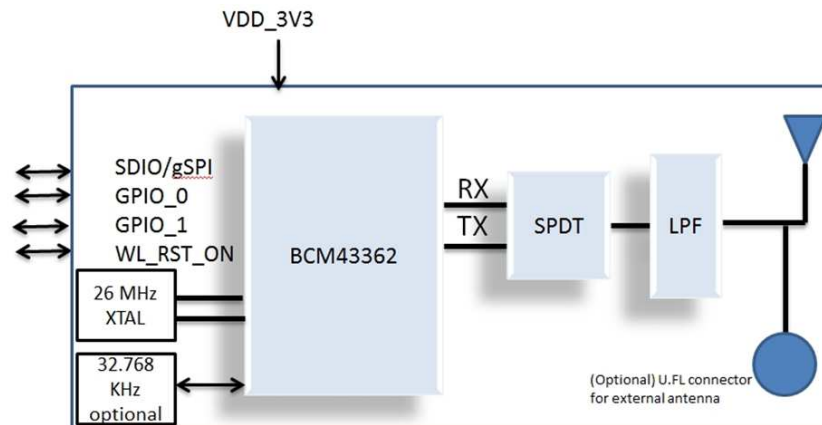
The Inventek ISM43362-L36 is an 802.11 b/g/n WiFi Radio SiP with on board antenna or optional external antenna with a U.FL connector, which is designed for embedded wireless solutions and offers a cost-effective high performance Broadcom radio device (BCM43362) packaged in an 36 pin LGA (24.4mm x 15.3 mm). It includes standards-based wired and wireless technologies to enable IP infrastructures for smart grid, smart home, security, building automation, toys, robots, remote health and wellness monitoring and other IoT and M2M applications.



The module is based on IEEE802.11 b/g/n antenna single-stream align technology. The solution is FCC/IC/CE certified and helps to reduce development time, lower manufacturing costs, save board space, and ease certification

Main Features

- ◆ 802.11 b, g, n compliant based on Broadcom MAC/Baseband/Radio device
- ◆ FCC and Ce certified in process
- ◆ IEEE 802.11 b/g/n complaint
- ◆ Soft Access Point for up to 7 clients for configuration and ad-hoc networks
- ◆ Host interface: SDIO
- ◆ Network features ICMP (Ping), ARP, DHCP, TCP, UDP
- ◆ Low power operation (3.3V supply)
- ◆ Secure Wi-Fi authentication WEP-128, WPA-PSK (TKIP), WPA2-PSK



Application Examples

- ◆ PDA, Pocket PC, computing devices
- ◆ Building automation and smart energy control
- ◆ Industrial sensing and remote equipment monitoring
- ◆ Warehousing, logistics and freight management
- ◆ PC and gaming peripherals
- ◆ Printers, scanners, alarm and video systems
- ◆ Medical applications including patient monitoring and remote diagnostics

NETWORK STANDARD	IEEE 802.11b/g/n
RF FREQUENCY	2.400 GHz ~ 2.497 GHz
DATA RATES	802.11n: 6.5, 13, 19.5, 26, 39, 52, 58.5, 65 Mbps 802.11g: 6, 9, 12, 18, 24, 36, 48, 54 Mbps 802.11b: 1, 2, 5.5, 11 Mbps
MODULATION TECHNIQUES	802.11g/n: OFDM /64-QAM, 16-QAM, QPSK, BPSK 802.11b: CCK, DQPSK, DBPSK
WIRELESS SECURITY	WEP (64/128-bit), WPA™ (PSK, TKIP) / WPA2™ (AES, CCMP, 802.1x Authentication)
HOST INTERFACE	SDIO
NETWORK PROTOCOLS	TCP, UDP, IPv4, ARP, ICMP, DHCP Client
WLAN FUNCTIONS	Power save modes, automatic roaming, auto-rate Ad-hoc and Infrastructure modes
CONFIGURATION	WICED, Linux, Android
SUPPLY VOLTAGE	3.3V ± 5%
PACKAGE	36-pin LGA, 14.5mm x 30 mm
OPERATING TEMPERATURE	-35°C to +80°C
CERTIFICATIONS	FCC and CE

Device	Description	Ordering Number
ISM43362-L36-E	802.11 SiP Module based on Broadcom BCM43362 with on board etch antenna	ISM43362-L36-E
ISM43362-L36-U	802.11 SiP Module based on Broadcom BCM43362 with U.FL connector for external antenna	ISM43362-L36-U
ISM43362-L36-EVB	SDIO Evaluation Board	ISM43362-L36-EVB

Contact
 Inventek Systems
 2 Republic Road
 Billerica Ma 01862
 978-667-1962

E-mail
 Sales@Inventeksys.com
 Engineering@Inventeksys.com
 www.Inventeksys.com