



Chipsmall Limited consists of a professional team with an average of over 10 year of expertise in the distribution of electronic components. Based in Hongkong, we have already established firm and mutual-benefit business relationships with customers from,Europe,America and south Asia,supplying obsolete and hard-to-find components to meet their specific needs.

With the principle of “Quality Parts,Customers Priority,Honest Operation,and Considerate Service”,our business mainly focus on the distribution of electronic components. Line cards we deal with include Microchip,ALPS,ROHM,Xilinx,Pulse,ON,Everlight and Freescale. Main products comprise IC,Modules,Potentiometer,IC Socket,Relay,Connector.Our parts cover such applications as commercial,industrial, and automotives areas.

We are looking forward to setting up business relationship with you and hope to provide you with the best service and solution. Let us make a better world for our industry!



Contact us

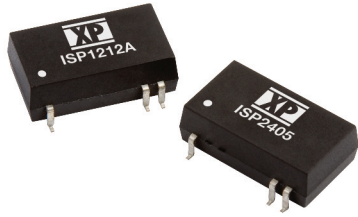
Tel: +86-755-8981 8866 Fax: +86-755-8427 6832

Email & Skype: info@chipsmall.com Web: www.chipsmall.com

Address: A1208, Overseas Decoration Building, #122 Zhenhua RD., Futian, Shenzhen, China



2 Watts ISP Series



- Single & Dual Regulated Outputs
- 2:1 Input Range
- SMD Package
- Industry Standard Pinout
- 1500 VDC Isolation
- -40 °C to +85 °C Operation
- 3 Year Warranty

Specification

Input

- Input Voltage Range • 12 V (9-18 VDC)
24 V (18-36 VDC)
- Input Reverse Voltage Protection • None
- Input Surge • 12 V: 22 VDC for 100 ms
24 V: 40 VDC for 100 ms

Output

- Output Voltage • See table
- Minimum Load • 10%⁽¹⁾
- Line Regulation • ±0.5%
- Load Regulation • ±1%, balanced load on dual outputs
- Setpoint Accuracy • ±3%/±5%, positive/negative output
- Ripple & Noise • 150 mV pk-pk 20 MHz bandwidth
- Temperature Coefficient • 0.03%/°C
- Short Circuit Protection • Continuous, automatic recovery

General

- Efficiency • See table
- Isolation Voltage • 1500 VDC
- Isolation Resistance • 10⁹ Ω
- Isolation Capacitance • 85 pF typical
- Switching Frequency • 300 kHz typical at nominal input, full load
- MTBF • >1 Mhrs to MIL-HDBK-217F at 25 °C, GB

Environmental

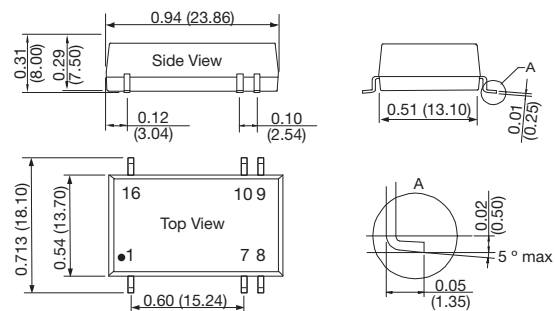
- Operating Temperature • -40 °C to +70 °C, derate linearly to 0% load at +100 °C
- Storage Temperature • -55 °C to +125 °C
- Case Temperature • 100 °C max
- Cooling • Convection-cooled
- Lead Temperature • 240 °C, 0.06 in (1.5 mm) from case, 10 s

Notes

1. Operation at no load will not damage unit but it may not meet all specifications.

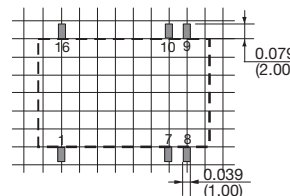
Input Voltage	Output Voltage	Output Current	Efficiency (typ)	Model Number
12 VDC	3.3 V	500 mA	70%	ISP1203A
	5.0 V	400 mA	74%	ISP1205A
	12.0 V	167 mA	78%	ISP1212A
	±5.0 V	±200 mA	74%	ISP1205
	±12.0 V	±83 mA	78%	ISP1212
24 VDC	±15.0 V	±67 mA	80%	ISP1215
	3.3 V	500 mA	72%	ISP2403A
	5.0 V	400 mA	76%	ISP2405A
	12.0 V	167 mA	80%	ISP2412A
	±5.0 V	±200 mA	74%	ISP2405
	±12.0 V	±83 mA	78%	ISP2412
	±15.0 V	±67 mA	80%	ISP2415

Mechanical Details



Recommended footprint

Top view grid: 0.1 x 0.1 in (2.54 x 2.54 mm)



Pin	Single	Dual
1	-Vin	-Vin
7	N.C.	N.C.
8	N.C.	0 V
9	+Vo	+Vo
10	0 V	-Vo
16	Vin	Vin

N.C. Not connected

Notes

1. All dimensions in inches (mm)
2. Tolerance: ±0.010 (±0.25)
3. Pin tolerance: ±0.004 (±0.10 mm)
4. Weight: 0.011 lbs (5.2 g)