



Chipsmall Limited consists of a professional team with an average of over 10 year of expertise in the distribution of electronic components. Based in Hongkong, we have already established firm and mutual-benefit business relationships with customers from,Europe,America and south Asia,supplying obsolete and hard-to-find components to meet their specific needs.

With the principle of “Quality Parts,Customers Priority,Honest Operation,and Considerate Service”,our business mainly focus on the distribution of electronic components. Line cards we deal with include Microchip,ALPS,ROHM,Xilinx,Pulse,ON,Everlight and Freescale. Main products comprise IC,Modules,Potentiometer,IC Socket,Relay,Connector.Our parts cover such applications as commercial,industrial, and automotives areas.

We are looking forward to setting up business relationship with you and hope to provide you with the best service and solution. Let us make a better world for our industry!



Contact us

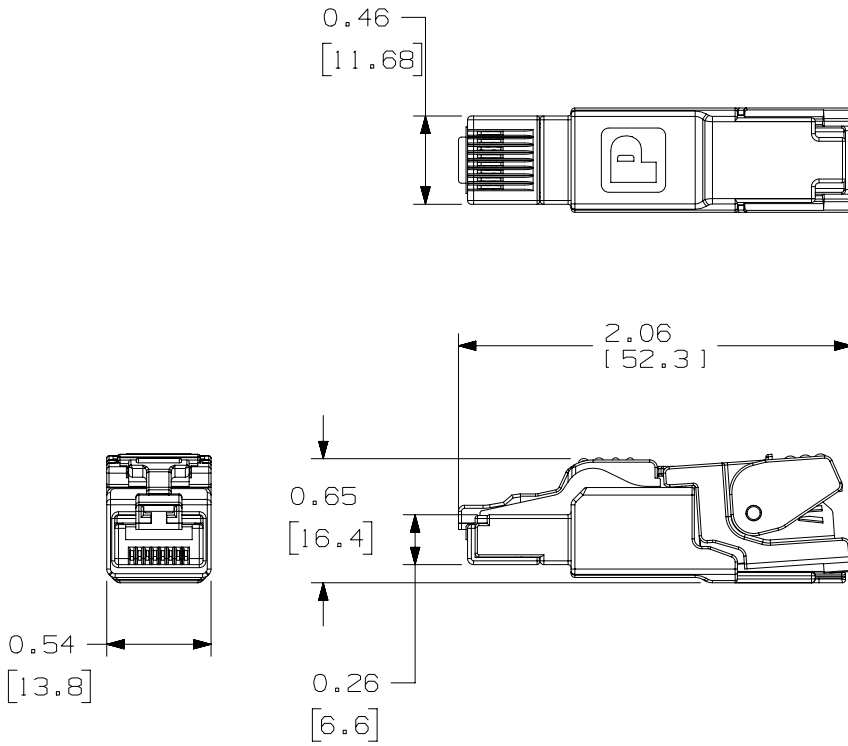
Tel: +86-755-8981 8866 Fax: +86-755-8427 6832

Email & Skype: info@chipsmall.com Web: www.chipsmall.com

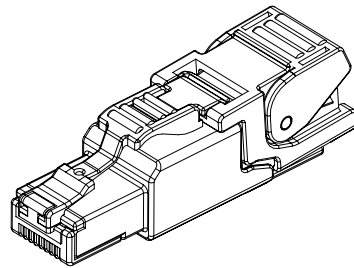
Address: A1208, Overseas Decoration Building, #122 Zhenhua RD., Futian, Shenzhen, China



THIS COPY IS PROVIDED ON A RESTRICTED BASIS AND IS NOT TO BE USED IN ANY WAY DETRIMENTAL TO THE INTERESTS OF PANDUIT CORP.



DUST CAP REMOVED
IN ALL VIEWS



NOTES:

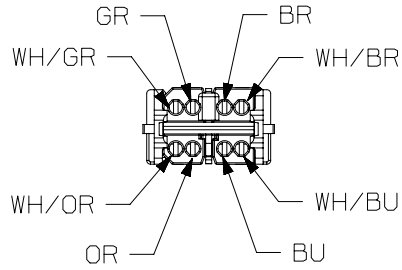
1. CONSTRUCTED TO MEET THE CONNECTOR STANDARD IEC 60603-7.
2. THE TRANSMISSION PERFORMANCE IS 1 GIGABIT ETHERNET AND IS ADEQUATE FOR PoE ACCORDING TO IEEE 802.3af AND PoE ACCORDING TO IEEE 802.3at
3. MEETS THE FOLLOWING CATEGORIES:
 - A. EXCEEDS CHANNEL AND PATCH CORD REQUIREMENTS OF ANSI/TIA-568-C.2 CATEGORY 6 AND CATEGORY 5e, AND ISO 11801 CLASS E AND CLASS D STANDARDS AT SWEPT FREQUENCIES UP TO 250 MHz & 100 MHz RESPECTIVELY AND MEETS ODVA ETHERNET/IP ELECTRICAL AND MECHANICAL PERFORMANCE WHEN INSTALLED WITH OTHER PANDUIT COMPONENTS.
 - B. MEETS THE CHANNEL REQUIREMENTS OF ANSI/TIA-568-C.2 CATEGORY 6A & ISO 11801 2ND EDITION CLASS E, IN A 4-CONNECTOR CONFIGURATION UP TO 100 METERS AT SWEPT FREQUENCIES UP TO 500MHz WHEN INSTALLED WITH OTHER PANDUIT CATEGORY 6A COMPONENTS.
4. CABLE CONSTRUCTION ACCEPTANCE: FOR PART NUMBER: 1SPS688FAS
 - A. CONDUCTOR DIAMETER:
 1. SOLID: 26/1-24/1 AWG, 0.016"-0.020" [0.41MM-0.51MM]
 2. STRANDED: 27/7-24/7 AWG, 0.018"-0.024" [0.46MM-0.61MM]
 3. STRANDED: 26/19 AWG, 0.020" [0.51MM]
 - B. INSULATION DIAMETER: 0.033"-0.039" [0.85MM-1.0MM]
 - C. CABLE DIAMETER: 0.197"-0.354" [5.0MM-9.0MM]
5. CABLE CONSTRUCTION ACCEPTANCE: FOR PART NUMBER: 1SPS688FA
 - A. CONDUCTOR DIAMETERS:
 1. SOLID: 24/1-22/1 AWG, 0.020"-0.025" [0.51MM-0.64MM]
 2. STRANDED: 27/7-22/7 AWG, 0.018"-0.030" [0.46MM-0.76MM]
 3. STRANDED: 24/19-22-19 AWG, 0.024"-0.031" [0.61MM-0.78MM]
 - B. INSULATION DIAMETER: 0.039"-0.063" [1.0MM-1.6MM]
 - C. CABLE DIAMETER: 0.197"-0.354" [5.0MM-9.0MM]
6. CONSTRUCTION:
 - A. ALL MATERIALS AND COMPONENTS USED MUST MEET THE MATERIAL RESTRICTIONS OF ROHS, (EUROPEAN DIRECTIVE 2011/65/EU ON THE RESTRICTION OF HAZARDOUS SUBSTANCES) AS PROPOSED BY THE ROHS TECHNICAL ADAPTATION COMMITTEE.
 - B. COMPONENT MATERIALS:
 1. CONNECTOR HOUSING: ZINC DIECAST WITH (NI) PLATING
 2. WIRE PRESORTING, CONTACT HOUSING: PC UL 94V-0
 3. HOOK, STRAIN RELIEF LEVER, PROTECTION CAP: PC UL 94V-0
 4. PCB: FR4 UL 94V-0
 5. PIERCING CONTACTS: PHOSPHOR BRONZE (MIN 3.6µm (Sn) PLATED)
 6. SHIELD CONTACT: BRASS 2.5µm (NI); 2.5µm (NI) PLATED
 7. CONTACTS: SPRING STEEL
 8. CONTACT FINISH: MINIMUM 0.8µm (AU) ON 1.2µm (NI)
7. ENVIRONMENTAL:
 - A. OPERATING TEMPERATURE: -40° F TO +185° F [-40° C TO +85° C]
 - B. STORAGE TEMPERATURE: -40° F TO +185° F [-40° C TO +85° C]
 - C. INGRESS PROTECTION RATING (IP): IP20
8. c(UL)us MEETS UL1863, CSA 22.2.
9. MEETS OR EXCEEDS ANSI/TIA-568-C.2 CATEGORY 6A/ISO 11801 CLASS E, PATCH CORD REQUIREMENTS WHEN USED WITH PSM7004 PANDUIT CABLE
10. WEIGHT:
 - A. COMPLETE PLUG - 0.42 LBS/10 PCS (189.32g/10PCS) WITHOUT PROTECTIVE CAP.
 - B. WIRE MANAGER ONLY - 0.07LBS/10PCS (35.00g/10PCS).

PART NUMBER SEE TABLE 1, SHEET 2		PRODUCT SPEC/PKG SPEC N/A	
I.T. NUMBER N/A		WORK INSTRUCTION N/A	
TITLE FIELD TERMINABLE CATEGORY 6A SHIELDED RJ45 PLUG CONNECTORS AND WIRE MANAGERS CUSTOMER DRAWING			
ITEM REVISION NAME 13M438AA/02			
DATASET FILE NAME 13M438AA_DC02/02A			
UNLESS OTHERWISE SPECIFIED, DIMENSIONAL TOLERANCES ARE: IN [mm]		MATERIAL: SEE NOTES	
.x ± .1 [2.54] .xxx ± .005 [.127] .xx ± .01 [.25] ANGLES ± 5 °			
		THIRD ANGLE PROJECTION	
DRAWN BY BJN	DATE 1-14-14	CHK DCS	SCALE NONE
REV		DRAWING NUMBER: 13M438AA-02	
DATE		SHT 1 OF 2	
BY		SIZE A	
CHK			
APR			
DESCRIPTION			
ECN			

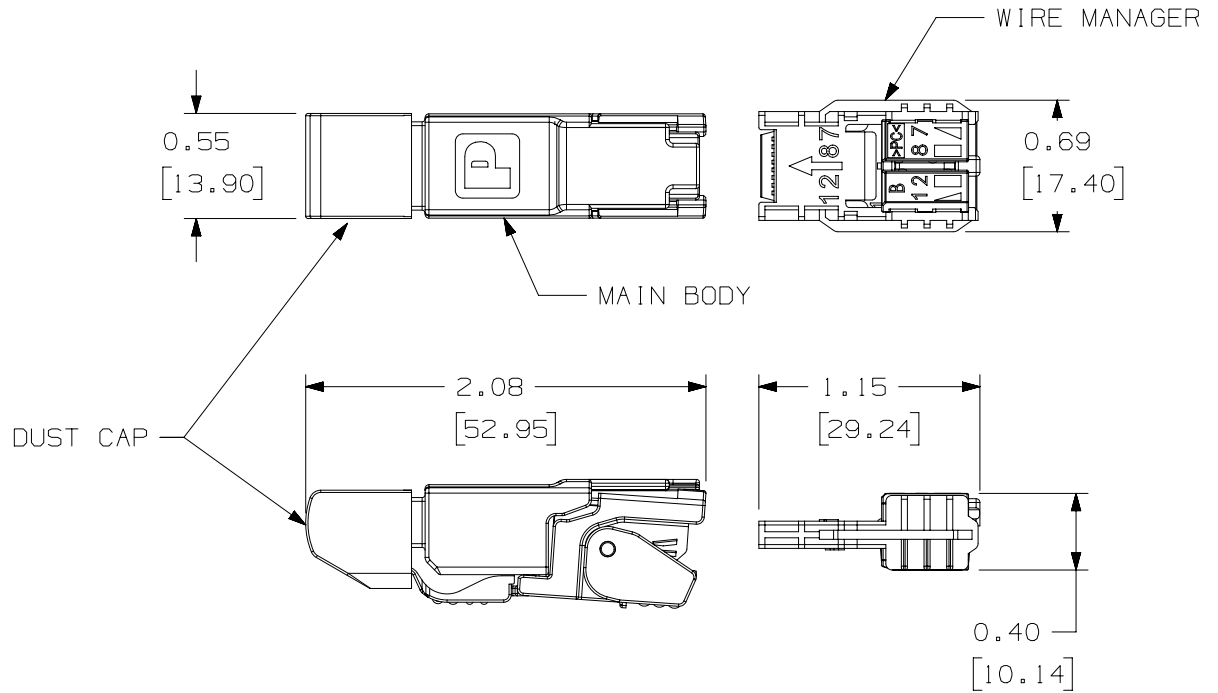
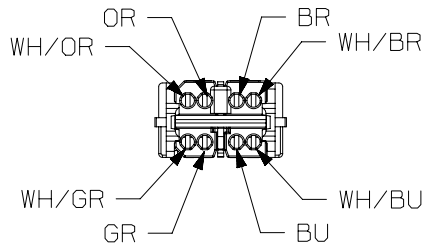
D10100DA/14

THIS COPY IS PROVIDED ON A RESTRICTED BASIS AND IS NOT TO BE USED IN ANY WAY DETRIMENTAL TO THE INTERESTS OF PANDUIT CORP.

PIN ASSIGNMENT T568A
ACCORDING TO TIA-568-C.2



PIN ASSIGNMENT T568B
ACCORDING TO TIA-568-C.2



DUST CAP SHOWN IN ABOVE VIEWS

TABLE 1

PART NUMBERS

COMPLETE ASSEMBLY		WIRE MANAGER (ONLY)	
I SPS688FA		I SPS688FA-WM	
I SPS688FAS		I SPS688FAS-WM	

PART NUMBER SEE TABLE 1		PRODUCT SPEC/PKG SPEC N/A	
I.T. NUMBER N/A		WORK INSTRUCTION N/A	
TITLE FIELD TERMINABLE CATEGORY 6A SHIELDED RJ45 PLUG CONNECTORS AND WIRE MANAGERS CUSTOMER DRAWING			
ITEM REVISION NAME 13M438AA/02		PANDUIT	
DATASET FILE NAME 13M438AA_DC02/02A			
UNLESS OTHERWISE SPECIFIED, DIMENSIONAL TOLERANCES ARE: IN [mm]		MATERIAL: SEE NOTES ON SHEET 1	
.x ± .1 [2.54] .xxx ± .005 [.127] .xx ± .01 [.25] ANGLES ± 5 °		DRAWING NUMBER: 13M438AA-02	
THIRD ANGLE PROJECTION		SHT 2 OF 2	
DRAWN BY BJN	DATE 1-14-14	CHK DCS	SCALE NONE
REV		SIZE A	

REV	DATE	BY	CHK	APR	DESCRIPTION	ECN
5	9-23-15	MDJR	DCS	GAZ	SEE SHEET 1 FOR REVISION HISTORY	13M438AA-02
4	7-16-14	BJN	DCS	GAZ	SEE SHEET 1 FOR REVISION HISTORY	13M438AA-02

D10100DA/14