



Chipsmall Limited consists of a professional team with an average of over 10 year of expertise in the distribution of electronic components. Based in Hongkong, we have already established firm and mutual-benefit business relationships with customers from,Europe,America and south Asia,supplying obsolete and hard-to-find components to meet their specific needs.

With the principle of “Quality Parts,Customers Priority,Honest Operation,and Considerate Service”,our business mainly focus on the distribution of electronic components. Line cards we deal with include Microchip,ALPS,ROHM,Xilinx,Pulse,ON,Everlight and Freescale. Main products comprise IC,Modules,Potentiometer,IC Socket,Relay,Connector.Our parts cover such applications as commercial,industrial, and automotives areas.

We are looking forward to setting up business relationship with you and hope to provide you with the best service and solution. Let us make a better world for our industry!



Contact us

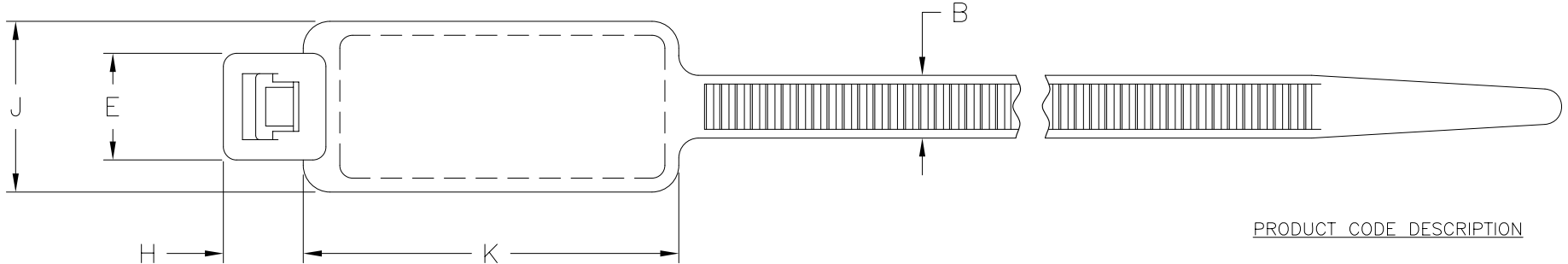
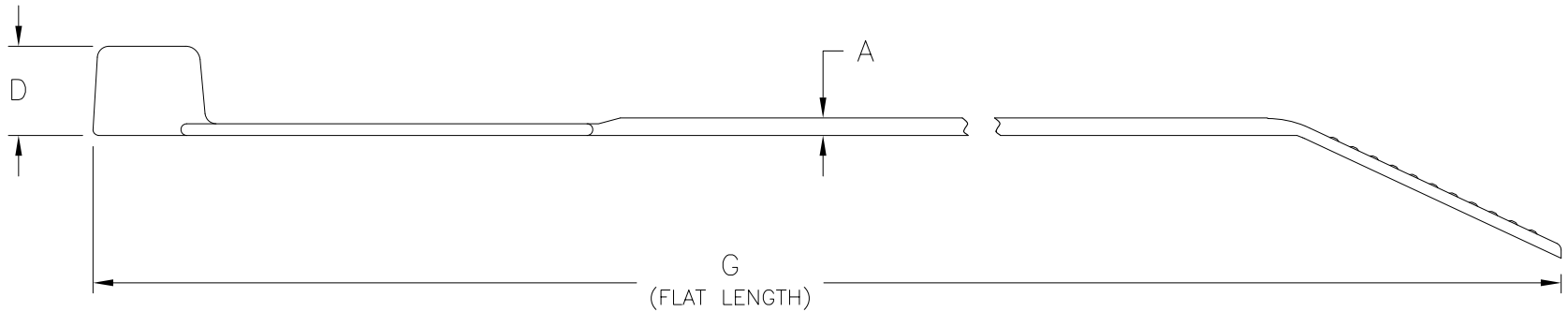
Tel: +86-755-8981 8866 Fax: +86-755-8427 6832

Email & Skype: info@chipsmall.com Web: www.chipsmall.com

Address: A1208, Overseas Decoration Building, #122 Zhenhua RD., Futian, Shenzhen, China



Revision level		Revision Record	Changed	Date	Approved	Date
part	drawing					
-	03					



PRODUCT CODE DESCRIPTION
IT50R_UV
COLOR
(CONSULT FACTORY FOR AVAILABLE COLORS)

AEROSPACE SPEC SAE AS33681-1A	Product Code	Cable Range (mm)	Material	A	B	D	E	G	H	J	K
yes	IT50R_	9.5 to 44.5	PA66	1.2 ±0.2	4.6 ±0.2	5.9 ±0.2	8.0 ±0.5	203.0 ±5.0	6.3 ±0.5	12.9 ±0.2	28.0 ±0.5
-	IT50R_UV		PA66UV								

SEE CHART

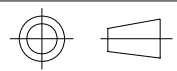
Material 03

Dimension tolerances unless otherwise specified
.XXXX =
.XXX =
.XX =
.X = NOTED
< =

Dimension Units mm

PERFORMANCE SPECIFICATION

ACAD 2004



Drawn G. GEIGER 10/10/91
Approved K.A.C. 06/11/04

Scale 2:1
Computer File Number CT\CST\2050015_03

ALL PROPRIETARY RIGHTS IN THE SUBJECT MATTER SHOWN ON THIS DRAWING ARE EXCLUSIVE PROPERTY OF HELLERMANN TYTON

HellermannTyton®

7930 N. Faulkner Rd.
Milwaukee, WI 53224
Ph: (414) 355-1130
Fx: (414) 362-8338

**IT50R
IDENTIFICATION TIE**

Drawing-No **CT2050015CST**

Format AH
Sheet 1 of 1