



Chipsmall Limited consists of a professional team with an average of over 10 year of expertise in the distribution of electronic components. Based in Hongkong, we have already established firm and mutual-benefit business relationships with customers from,Europe,America and south Asia,supplying obsolete and hard-to-find components to meet their specific needs.

With the principle of “Quality Parts,Customers Priority,Honest Operation,and Considerate Service”,our business mainly focus on the distribution of electronic components. Line cards we deal with include Microchip,ALPS,ROHM,Xilinx,Pulse,ON,Everlight and Freescale. Main products comprise IC,Modules,Potentiometer,IC Socket,Relay,Connector.Our parts cover such applications as commercial,industrial, and automotives areas.

We are looking forward to setting up business relationship with you and hope to provide you with the best service and solution. Let us make a better world for our industry!



Contact us

Tel: +86-755-8981 8866 Fax: +86-755-8427 6832

Email & Skype: info@chipsmall.com Web: www.chipsmall.com

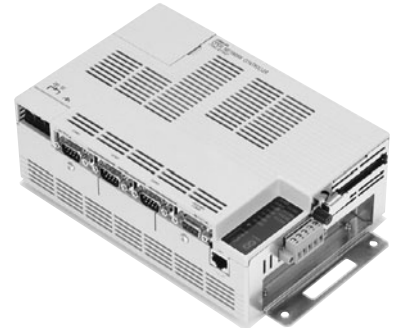
Address: A1208, Overseas Decoration Building, #122 Zhenhua RD., Futian, Shenzhen, China



Open Network Controllers (DeviceNet) ITNC-EPX01-DRM

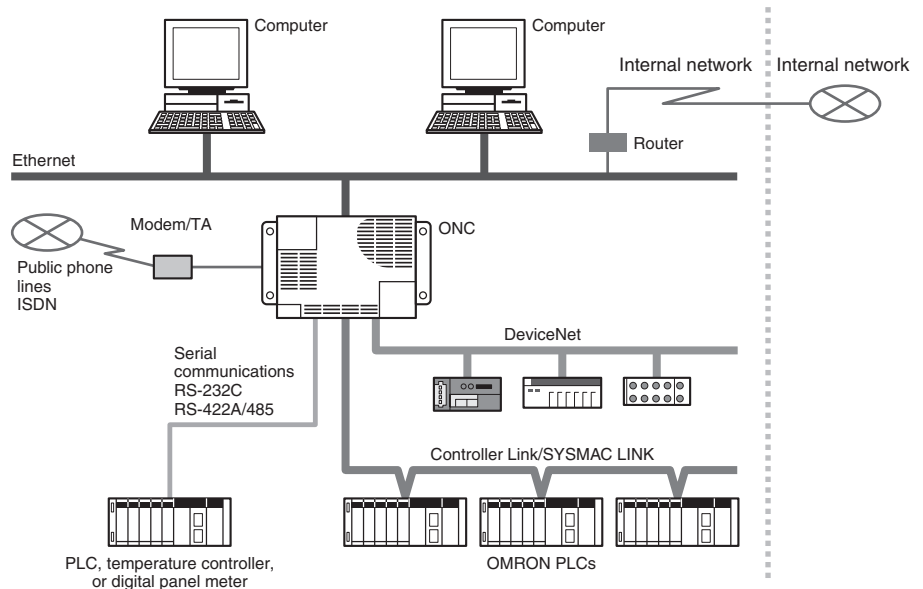
Information Station for Production Lines

OMRON Open Network Controllers (ONCs) are popular as information stations for manufacturing devices and production lines. These are version 2 ONCs that provide high speed, high capacity, and models compatible with a PCI bus.



Basic Function

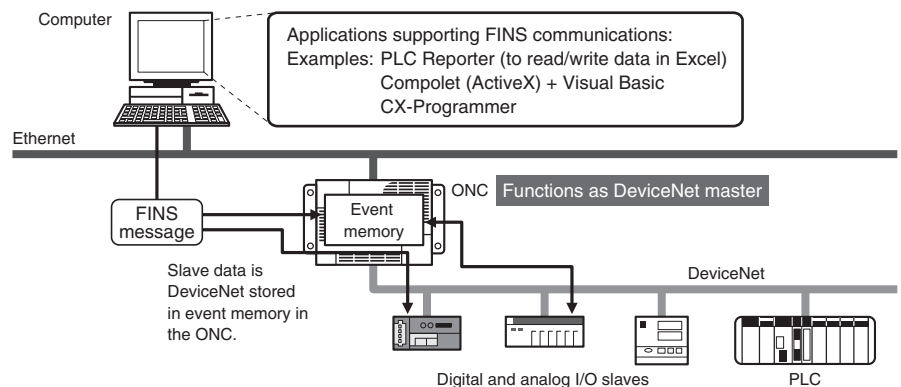
An ONC collects various types of onsite information on manufacturing devices or production lines from PLCs, DeviceNet-compliant devices, temperature controllers, digital panel meters, and other FA components and provides it to the information system using the required protocol on Ethernet, an internal network, or the Internet. This enables implementing an information system for equipment or production facilities without altering the PLC system.



Using an ONC as an Information Gateway

Ethernet and DeviceNet Remote I/O Communications

- Data from DeviceNet slaves is stored in event memory in the ONC. The ONC's event memory is read and written from the computer to effectively read and write slave I/O data.
- DeviceNet slave data can be read and written without going through the PLCs.
- Explicit messages can be sent from the computer through the ONC to DeviceNet slaves.
- The ladder program in the PLCs can be maintained from the CX-Programmer through the DeviceNet.



Refer to the *Open Network Controller Catalog* (Cat. No. V204) for details.

Ordering Information

Product	Specifications	Model
Expansion Model with DeviceNet	Expansion slot, COM port *, and DeviceNet capability	ITNC-EPX01-DRM
NX-Server for DeviceNet ONC Edition Ver. 1.00	--	ITNC-NS1Q-F

Note: The expansion slot is a PCI bus slot into which either a Controller Link Board or a SYSMAC Board can be mounted. Only one slot is provided.

* RS-232C X 3 and RS-422 (or RS-485) X 1

Application as a Data Collection Station

Collect Data and Send It Using FTP

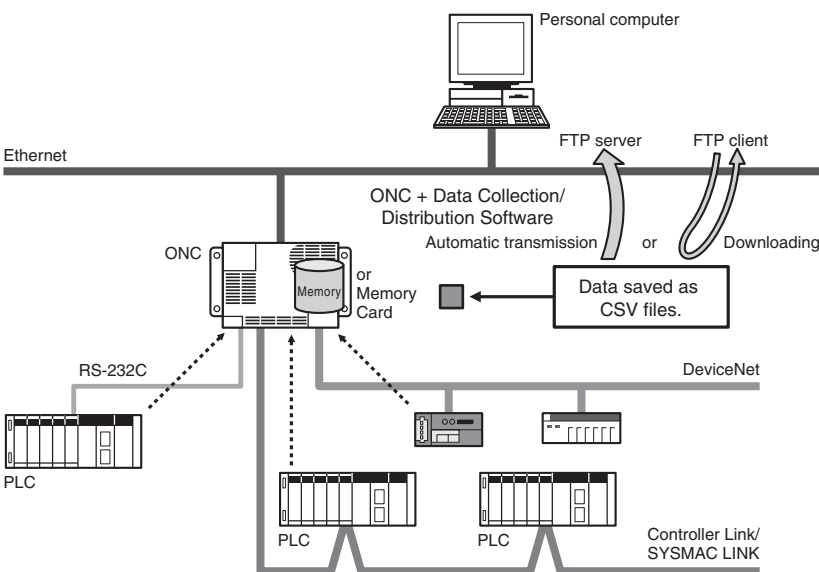
Collect data under the required conditions from PLCs *1 connected via various networks and from DeviceNet slaves *2 and save it in CSV or binary files in the Memory Card in the ONC. Without any changes to the PLC system, the ONC can be used as a collection station for production, error, inspection, and history data.

*1. CIO and DM Area data from the PLC can be collected if it is set for event memory in the ONC or specified for a serial connection.

*2. • Periodic collection: Collection at a specified time interval, such as 500 ms.
• Event collection: Collection when some event occurs, such as a change in I/O status or data contents in the PLC or in DeviceNet devices.

Example: Collecting status information when an error occurs by using the occurrence of an error in processing or inspections on the production line as the event.

• Scheduled collection: Collection at specific times, such as each hour.
Example: Collection every hour on the hour, such as 12:00 noon, 1:00 PM, etc. (minimum setting: every minute)



Example: Data collected using the Data Collection/Distribution Software can be displayed in Excel as shown below. A sample CSV file is shown set to collect data when bit 00 in CIO 0000 turns ON. The date can be added each time data is collected, and field names can be attached.

	A	B	C	D	E	F	G
1	Date	Time	DM_Uch	DM_315ch	Product Counts	Error Counts	
2	2/7/03	19:45:56	0841	da2d	6b44	4b79	
3	2/7/03	19:46:06	5989	fa3c	4720	672c	
4	2/7/03	19:46:31	1e8f	a536	e430	6905	
5	2/7/03	19:47:01	1e85	160a	8813	741f	
6	2/7/03	19:47:21	a64d	3a35	e320	9304	
7							
8							
9							

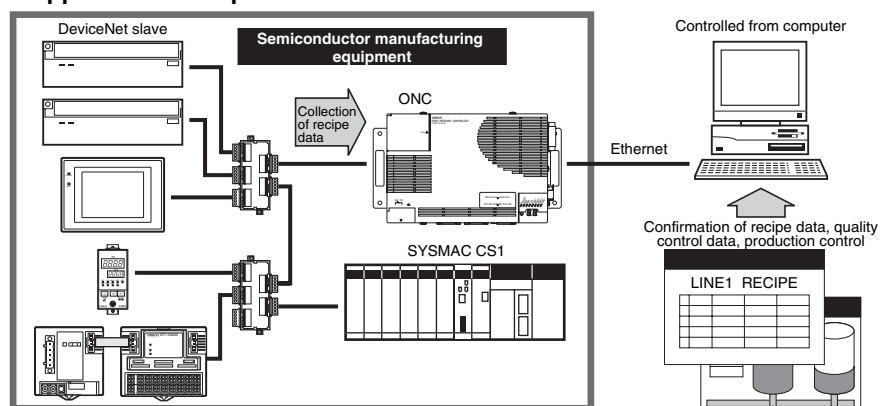
Optional Software

Operating data and production results collected and stored without adding a DeviceNet node and with no influence on DeviceNet traffic.

«NX-Server for DeviceNet ONC Edition»

- NX-Server can collect I/O data for devices on DeviceNet without using any existing DeviceNet resources (MAC IDs).
- NXServer analyzes frames that flow through the network to collect system I/O data for devices without request/response message communications. There is no influence on existing DeviceNet traffic between the devices on the DeviceNet.
- The collected data is automatically allocated to event memory (CIO and DM). By combining this functionality with the Data Collection/Distribution Software, automatic collection is possible for various types of data.

● Application Example



Read and Understand This Catalog

Please read and understand this catalog before purchasing the products. Please consult your OMRON representative if you have any questions or comments.

Warranty and Limitations of Liability

WARRANTY

OMRON's exclusive warranty is that the products are free from defects in materials and workmanship for a period of one year (or other period if specified) from date of sale by OMRON.

OMRON MAKES NO WARRANTY OR REPRESENTATION, EXPRESS OR IMPLIED, REGARDING NON-INFRINGEMENT, MERCHANTABILITY, OR FITNESS FOR PARTICULAR PURPOSE OF THE PRODUCTS. ANY BUYER OR USER ACKNOWLEDGES THAT THE BUYER OR USER ALONE HAS DETERMINED THAT THE PRODUCTS WILL SUITABLY MEET THE REQUIREMENTS OF THEIR INTENDED USE. OMRON DISCLAIMS ALL OTHER WARRANTIES, EXPRESS OR IMPLIED.

LIMITATIONS OF LIABILITY

OMRON SHALL NOT BE RESPONSIBLE FOR SPECIAL, INDIRECT, OR CONSEQUENTIAL DAMAGES, LOSS OF PROFITS OR COMMERCIAL LOSS IN ANY WAY CONNECTED WITH THE PRODUCTS, WHETHER SUCH CLAIM IS BASED ON CONTRACT, WARRANTY, NEGLIGENCE, OR STRICT LIABILITY.

In no event shall the responsibility of OMRON for any act exceed the individual price of the product on which liability is asserted.

IN NO EVENT SHALL OMRON BE RESPONSIBLE FOR WARRANTY, REPAIR, OR OTHER CLAIMS REGARDING THE PRODUCTS UNLESS OMRON'S ANALYSIS CONFIRMS THAT THE PRODUCTS WERE PROPERLY HANDLED, STORED, INSTALLED, AND MAINTAINED AND NOT SUBJECT TO CONTAMINATION, ABUSE, MISUSE, OR INAPPROPRIATE MODIFICATION OR REPAIR.

Application Considerations

SUITABILITY FOR USE

OMRON shall not be responsible for conformity with any standards, codes, or regulations that apply to the combination of products in the customer's application or use of the products.

At the customer's request, OMRON will provide applicable third party certification documents identifying ratings and limitations of use that apply to the products. This information by itself is not sufficient for a complete determination of the suitability of the products in combination with the end product, machine, system, or other application or use.

The following are some examples of applications for which particular attention must be given. This is not intended to be an exhaustive list of all possible uses of the products, nor is it intended to imply that the uses listed may be suitable for the products:

- Outdoor use, uses involving potential chemical contamination or electrical interference, or conditions or uses not described in this catalog.
- Nuclear energy control systems, combustion systems, railroad systems, aviation systems, medical equipment, amusement machines, vehicles, safety equipment, and installations subject to separate industry or government regulations.
- Systems, machines, and equipment that could present a risk to life or property.

Please know and observe all prohibitions of use applicable to the products.

NEVER USE THE PRODUCTS FOR AN APPLICATION INVOLVING SERIOUS RISK TO LIFE OR PROPERTY WITHOUT ENSURING THAT THE SYSTEM AS A WHOLE HAS BEEN DESIGNED TO ADDRESS THE RISKS, AND THAT THE OMRON PRODUCTS ARE PROPERLY RATED AND INSTALLED FOR THE INTENDED USE WITHIN THE OVERALL EQUIPMENT OR SYSTEM.

PROGRAMMABLE PRODUCTS

OMRON shall not be responsible for the user's programming of a programmable product, or any consequence thereof.

Disclaimers

CHANGE IN SPECIFICATIONS

Product specifications and accessories may be changed at any time based on improvements and other reasons.

It is our practice to change model numbers when published ratings or features are changed, or when significant construction changes are made. However, some specifications of the products may be changed without any notice. When in doubt, special model numbers may be assigned to fix or establish key specifications for your application on your request. Please consult with your OMRON representative at any time to confirm actual specifications of purchased products.

DIMENSIONS AND WEIGHTS

Dimensions and weights are nominal and are not to be used for manufacturing purposes, even when tolerances are shown.

PERFORMANCE DATA

Performance data given in this catalog is provided as a guide for the user in determining suitability and does not constitute a warranty. It may represent the result of OMRON's test conditions, and the users must correlate it to actual application requirements. Actual performance is subject to the OMRON Warranty and Limitations of Liability.

ERRORS AND OMISSIONS

The information in this document has been carefully checked and is believed to be accurate; however, no responsibility is assumed for clerical, typographical, or proofreading errors, or omissions.

2009.8

In the interest of product improvement, specifications are subject to change without notice.

OMRON Corporation
Industrial Automation Company

<http://www.ia.omron.com/>

(c)Copyright OMRON Corporation 2009 All Right Reserved.